



Chipsmall Limited consists of a professional team with an average of over 10 year of expertise in the distribution of electronic components. Based in Hongkong, we have already established firm and mutual-benefit business relationships with customers from,Europe,America and south Asia,supplying obsolete and hard-to-find components to meet their specific needs.

With the principle of “Quality Parts,Customers Priority,Honest Operation,and Considerate Service”,our business mainly focus on the distribution of electronic components. Line cards we deal with include Microchip,ALPS,ROHM,Xilinx,Pulse,ON,Everlight and Freescale. Main products comprise IC,Modules,Potentiometer,IC Socket,Relay,Connector.Our parts cover such applications as commercial,industrial, and automotives areas.

We are looking forward to setting up business relationship with you and hope to provide you with the best service and solution. Let us make a better world for our industry!



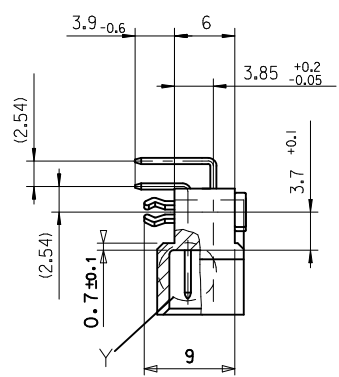
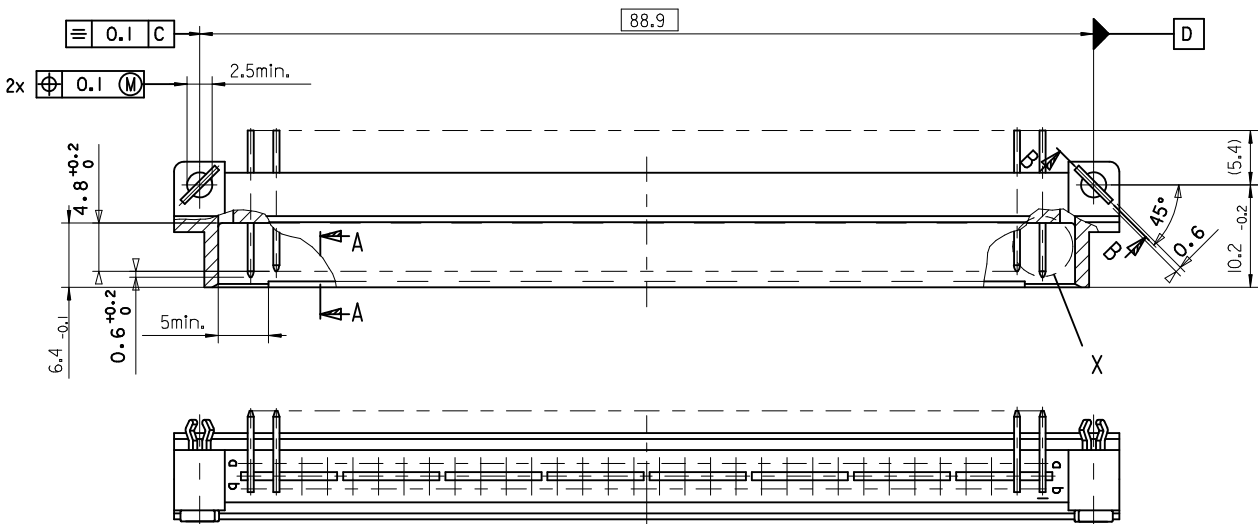
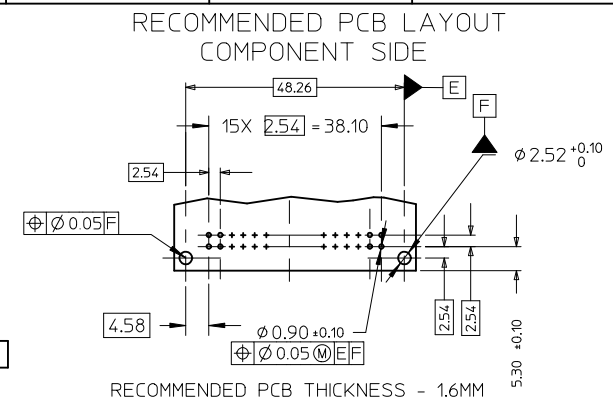
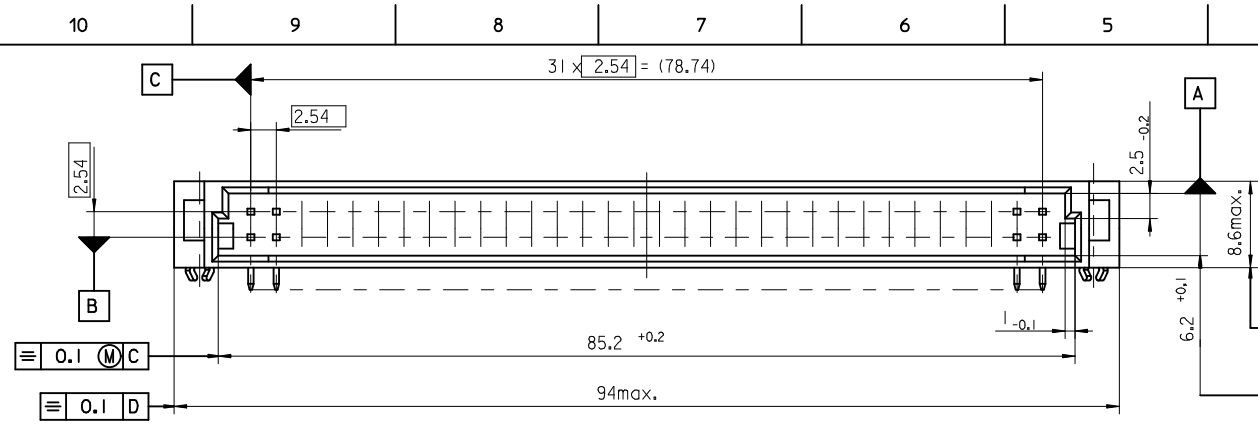
Contact us

Tel: +86-755-8981 8866 Fax: +86-755-8427 6832

Email & Skype: info@chipsmall.com Web: www.chipsmall.com

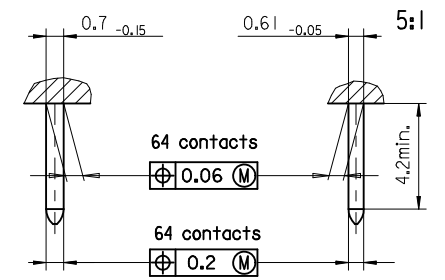
Address: A1208, Overseas Decoration Building, #122 Zhenhua RD., Futian, Shenzhen, China



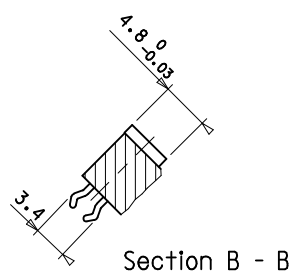
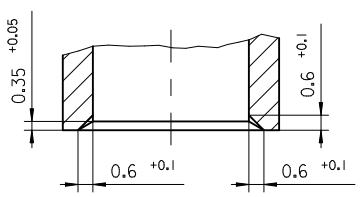


View X
5:1

View Y
5:1

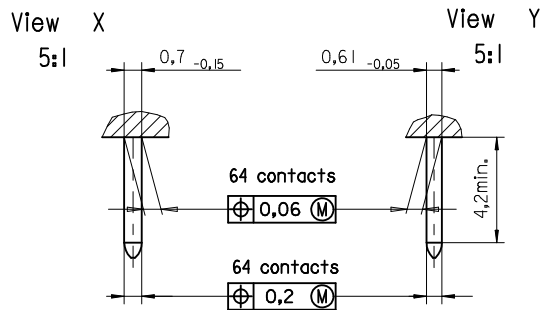
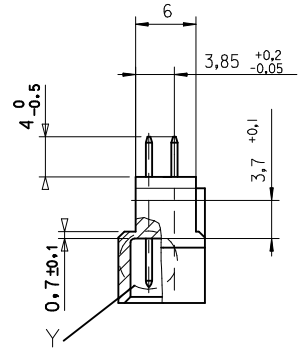
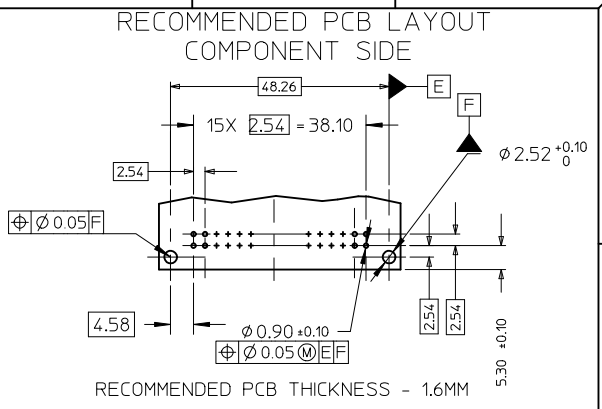
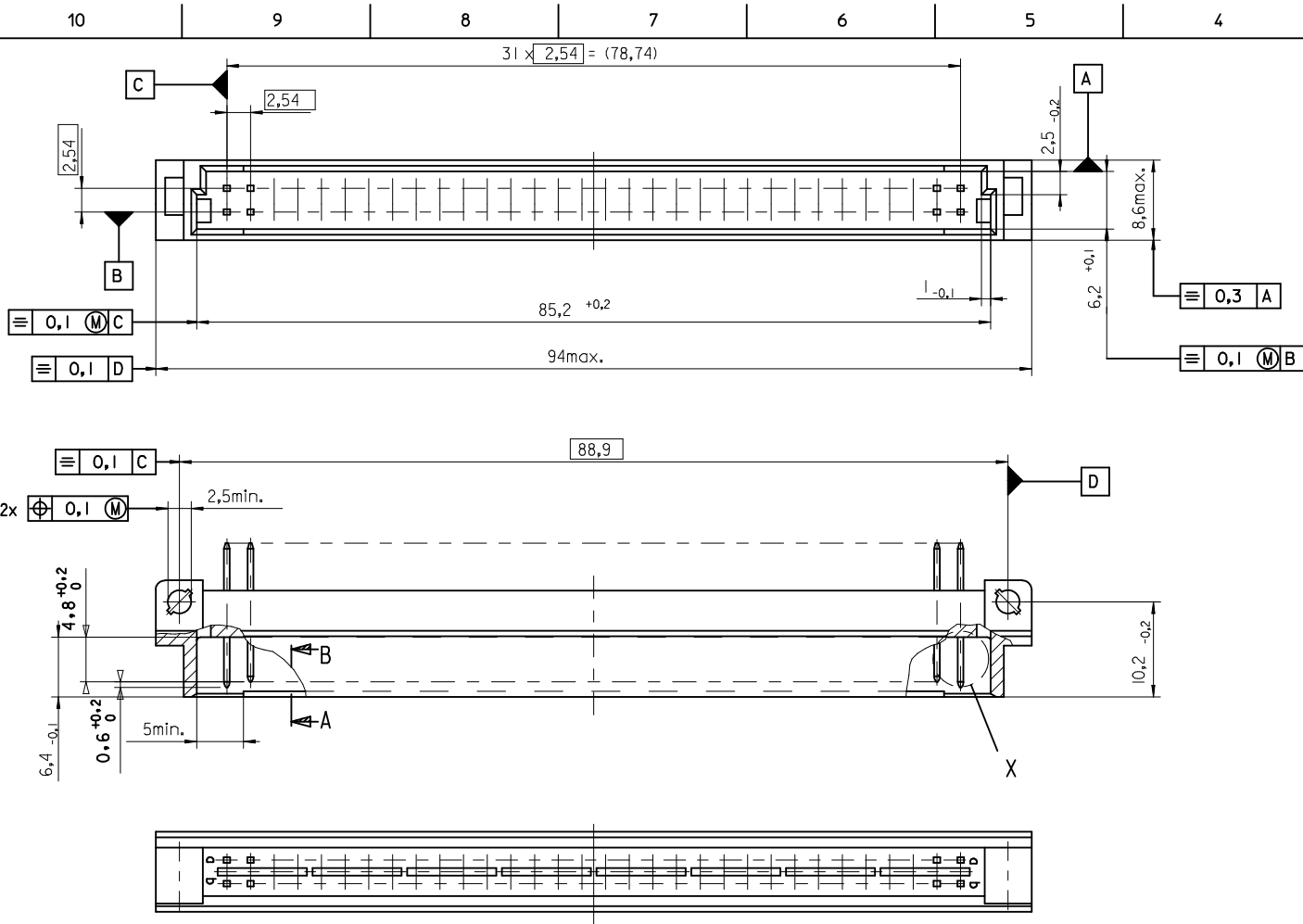


Section A - A
5:1

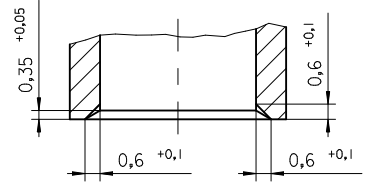


Section B - B

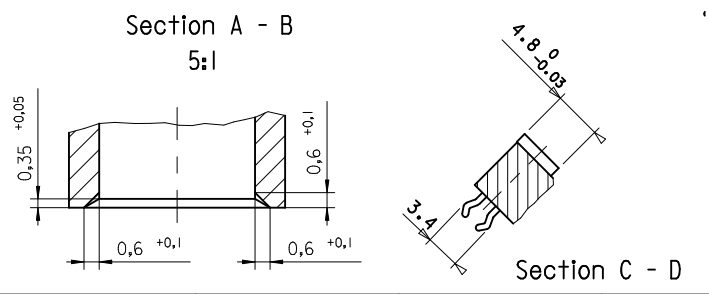
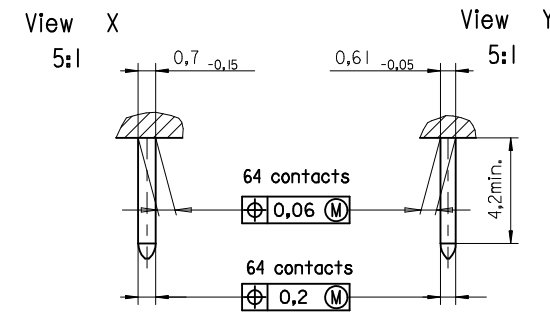
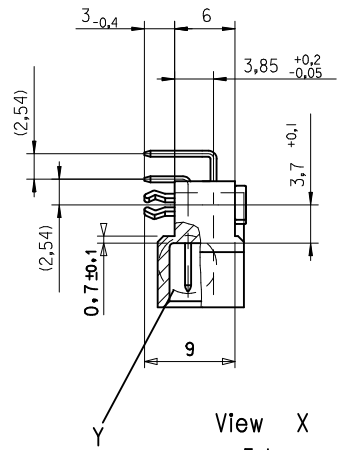
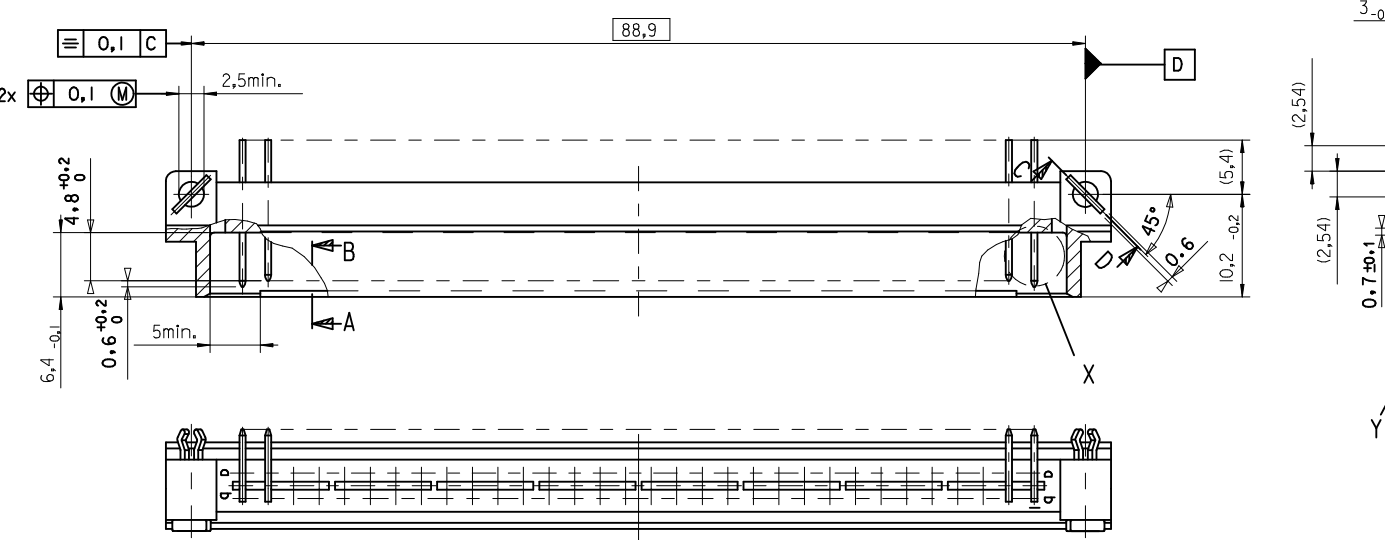
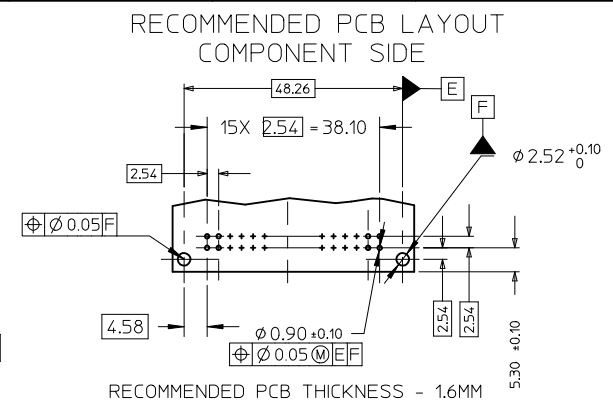
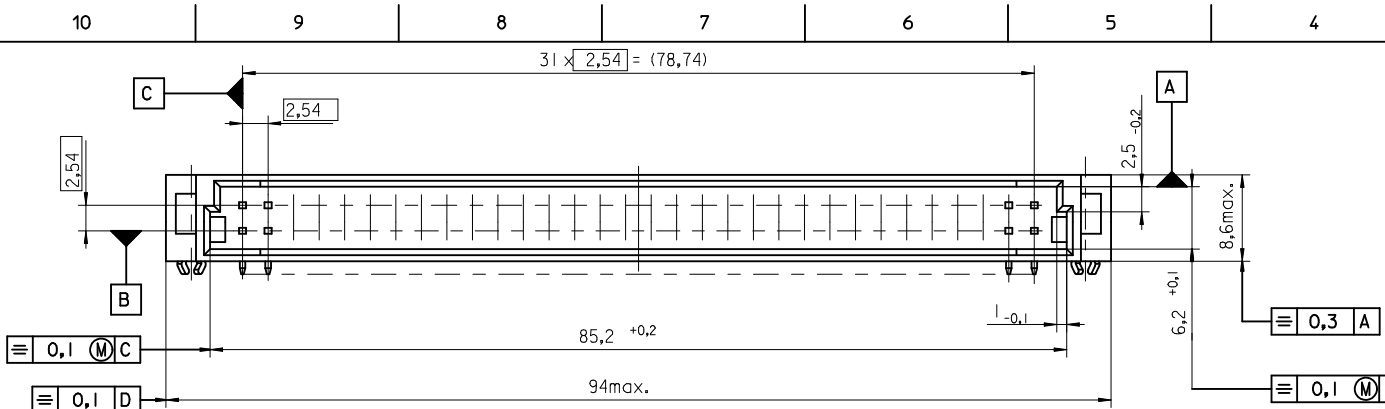
ENTER DESCRIPTION EC NO: 2011/09/23 DRWN: VUTTARKAR CHKD: KPRASAD APPR:	QUALITY SYMBOLS $F_A=0$ $F_C=0$ $F_B=0$	GENERAL TOLERANCES (UNLESS SPECIFIED)		DIMENSION STYLE MM ONLY		SCALE 1:1	DESIGN UNITS METRIC	FIRST ANGLE PROJECTION			
		mm	INCH	DRAWN BY VUTTARKAR	DATE 2011/09/23	TITLE 64 POS. MALE CONNECTOR ACC. DIN 41612 STYLE B DIMENSIONS					
		4 PLACES	± ---	± ---	CHECKED BY KPRASAD	DATE	MOLEX INCORPORATED				
		3 PLACES	± ---	± ---	APPROVED BY	DATE	DOCUMENT NO. SDA-85001-0001		SHEET NO. 1 OF 03		
2 PLACES	± ---	± ---	ANGULAR ± ---°		MATERIAL NO. 850010036	THIS DRAWING CONTAINS INFORMATION THAT IS PROPRIETARY TO MOLEX INCORPORATED AND SHOULD NOT BE USED WITHOUT WRITTEN PERMISSION					
1 PLACE	± ---	± ---	DRAFT WHERE APPLICABLE MUST REMAIN WITHIN DIMENSIONS		SIZE A3						



Section A - B
5:1



ENTER DESCRIPTION EC NO: DRWN:VUTTARKAR CHKD:KPRASAD APPR:	QUALITY SYMBOLS	GENERAL TOLERANCES (UNLESS SPECIFIED)		DIMENSION STYLE MM ONLY		SCALE 1:1	DESIGN UNITS METRIC	FIRST ANGLE PROJECTION	
	▽ F=0	4 PLACES	± ---	± ---	DRAWN BY VUTTARKAR	DATE 2011/09/23	TITLE 64 POS. MALE CONNECTOR ACC. DIN 41612 STYLE B DIMENSIONS		
	▽ F=0	3 PLACES	± ---	± ---	CHECKED BY KPRASAD	DATE	MOLEX INCORPORATED		
	▽ F=0	2 PLACES	± ---	± ---	APPROVED BY	DATE	MATERIAL NO. 850010036		
		1 PLACE	± ---	± ---	DRAFT WHERE APPLICABLE MUST REMAIN WITHIN DIMENSIONS		DOCUMENT NO. SDA-85001-0001		SHEET NO. 2 OF 03
		ANGULAR ± ---°		SIZE A3		THIS DRAWING CONTAINS INFORMATION THAT IS PROPRIETARY TO MOLEX INCORPORATED AND SHOULD NOT BE USED WITHOUT WRITTEN PERMISSION			



ENTER DESCRIPTION EC NO: 2011/09/23 DRWN: VUTTARKAR CHKD: KPRASAD APPR:	QUALITY SYMBOLS $\nabla_F = 0$ $\nabla_F = 0$ $\nabla_F = 0$	GENERAL TOLERANCES (UNLESS SPECIFIED)		DIMENSION STYLE MM ONLY		SCALE 1:1	DESIGN UNITS METRIC		FIRST ANGLE PROJECTION		
		4 PLACES	±	---	±	---	DRAWN BY	DATE	TITLE 64 POS. MALE CONNECTOR ACC. DIN 41612 STYLE B DIMENSIONS		
		3 PLACES	±	---	±	---	CHECKED BY	DATE	MOLEX MOLEX INCORPORATED		
		2 PLACES	±	---	±	---	APPROVED BY	DATE	MATERIAL NO. 850010036		DOCUMENT NO. SDA-85001-0001
1 PLACE	±	---	±	---	ANGULAR ± --- °		DRAFT WHERE APPLICABLE MUST REMAIN WITHIN DIMENSIONS				
SIZE A3		THIS DRAWING CONTAINS INFORMATION THAT IS PROPRIETARY TO MOLEX INCORPORATED AND SHOULD NOT BE USED WITHOUT WRITTEN PERMISSION									

