



Chipsmall Limited consists of a professional team with an average of over 10 year of expertise in the distribution of electronic components. Based in Hongkong, we have already established firm and mutual-benefit business relationships with customers from,Europe,America and south Asia,supplying obsolete and hard-to-find components to meet their specific needs.

With the principle of “Quality Parts,Customers Priority,Honest Operation,and Considerate Service”,our business mainly focus on the distribution of electronic components. Line cards we deal with include Microchip,ALPS,ROHM,Xilinx,Pulse,ON,Everlight and Freescale. Main products comprise IC,Modules,Potentiometer,IC Socket,Relay,Connector.Our parts cover such applications as commercial,industrial, and automotives areas.

We are looking forward to setting up business relationship with you and hope to provide you with the best service and solution. Let us make a better world for our industry!



## Contact us

Tel: +86-755-8981 8866 Fax: +86-755-8427 6832

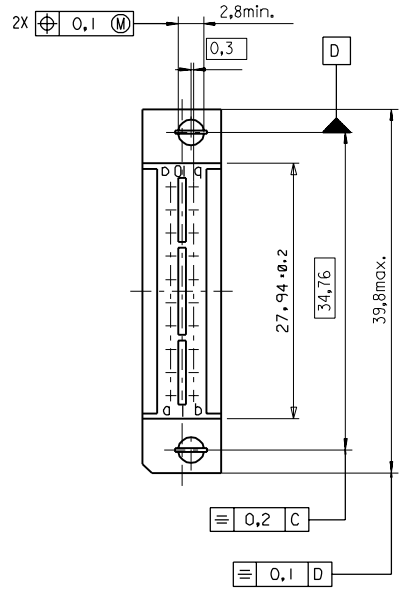
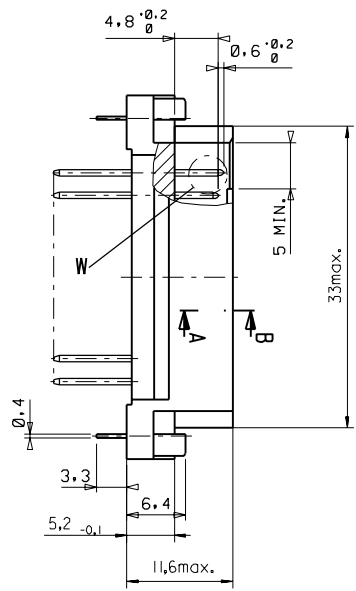
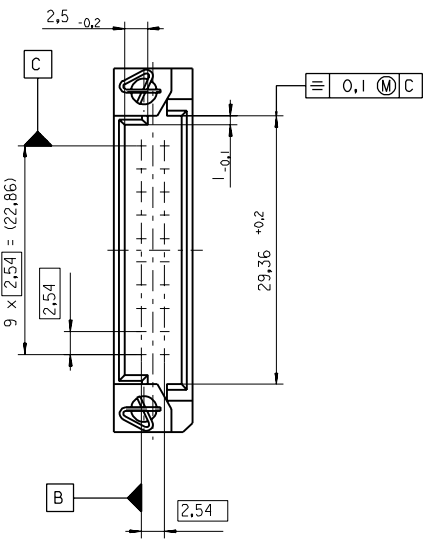
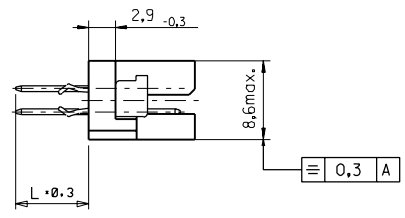
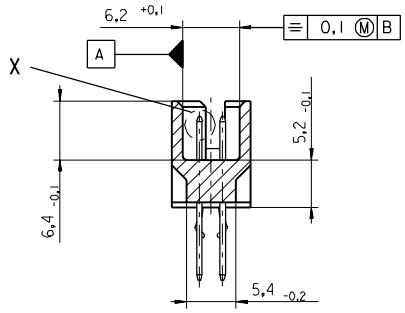
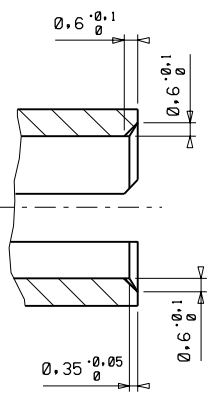
Email & Skype: info@chipsmall.com Web: www.chipsmall.com

Address: A1208, Overseas Decoration Building, #122 Zhenhua RD., Futian, Shenzhen, China

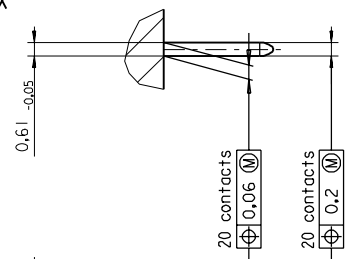


PART NO.  
DWG. NO.

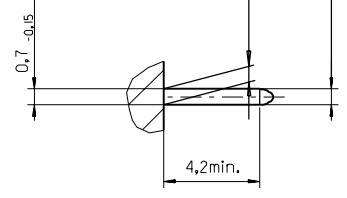
Section A - B  
5:1



View X  
5:1



View W  
5:1



FIRST ANGLE PROJECTION		REVISE ONLY ON CAD SYSTEM		SH.	REV.
first release see ECN No. 1887	REVISIONS FOR PREVIOUS REVISIONS SEE MRI LIST	UNLESS OTHERWISE SPECIFIED TOLERANCES: ANGULAR $\pm 2^\circ$	DRWG BY	CAD/CAM PROJECT NAME	
		INCH METRIC	Ca	8501000 611	THIS DRAWING CONTAINS INFORMATION THAT IS PROPRIETARY TO MOLEX INC. & SHOULD NOT BE USED WITHOUT WRITTEN PERMISSION
A	LTR	3 PLACE $\pm$ . $\pm$	CHK'D BY	TITLE	
		2 PLACE $\pm$ . $\pm$	KN	20 pos. Male connector acc. DIN 41612 style Q/3 Dimensions	
		1 PLACE $\pm$ . $\pm$	APP'D BY	SHEET NO. DATE	
		DRAFT WHERE APPLICABLE MUST REMAIN WITHIN DIMENSIONS		1 OF 95/06/08	
		DESIGN DIMENSION <input checked="" type="checkbox"/> MM	SCALE	MOLEX MOLEX EUROPE	
		EQUIVALENT DIMENSION <input type="checkbox"/> MM	2:1	PART NO. DWG NO.	
		IF TWO DIMENSIONS ARE SHOWN THE UPPER IS THE DESIGN DIMENSION, LOWER IS SECONDARY		SDA-85011-0001	
				SIZE B	

View on mating side

△	A	A	A	A	A	A	A	A	A
○	A	A	A	A	A	A	A	A	A

▽ ◀ ▶ ▷ ↻ ↺ ↻ ↻ ↻ ↻ ↻ ↻ ↻

A = 20 standard contacts L=4,5

Marking	Standard
Performance level	G1/0 = Contact area perform. level 1 / Termination tin
Flux proof	no
Fixing clip	no
Dimensions	SDA-85011-0001 sht.1
Technical Data	PS-85013-0001

A	G1/0	b1-10
Contact symbol	Perform. level	Contact position number

LTR see ECN No. 2204 96/07/18 cd REVISIONS FOR PREVIOUS REVISIONS SEE MRI LIST	UNLESS OTHERWISE SPECIFIED TOLERANCES: ANGULAR $\pm 2^\circ$ INCH METRIC		DRWG BY	SIGN	CAD/CAM PROJECT NAME	SH. REV.
	3 PLACE $\pm$ .	$\pm$	CD		S8501101 S01	THIS DRAWING CONTAINS INFORMATION THAT IS PROPRIETARY TO MOLEX INC. & SHOULD NOT BE USED WITHOUT WRITTEN PERMISSION
	2 PLACE $\pm$ .	$\pm$	CHK'D BY		TITLE	
	1 PLACE $\pm$ .	$\pm$	KN		20 pos. Male connector acc. DIN 41612 style Q/3 contacts arrangement	
DRAFT WHERE APPLICABLE MUST REMAIN WITHIN DIMENSIONS			APP'D BY		SHEET NO.   DATE	
DESIGN DIMENSION <input type="checkbox"/> MM <input type="checkbox"/> IN.			SCALE	MOLEX EUROPE		
EQUIVALENT DIMENSION <input type="checkbox"/> MM <input type="checkbox"/> IN.			PART NO. 85011-0103			
IF TWO DIMENSIONS ARE SHOWN THE UPPER IS THE DESIGN DIMENSION, LOWER IS SECONDARY			DWG NO. SDA-85011-0103			
				SIZE		A