



Chipsmall Limited consists of a professional team with an average of over 10 year of expertise in the distribution of electronic components. Based in Hongkong, we have already established firm and mutual-benefit business relationships with customers from,Europe,America and south Asia,supplying obsolete and hard-to-find components to meet their specific needs.

With the principle of “Quality Parts,Customers Priority,Honest Operation,and Considerate Service”,our business mainly focus on the distribution of electronic components. Line cards we deal with include Microchip,ALPS,ROHM,Xilinx,Pulse,ON,Everlight and Freescale. Main products comprise IC,Modules,Potentiometer,IC Socket,Relay,Connector.Our parts cover such applications as commercial,industrial, and automotives areas.

We are looking forward to setting up business relationship with you and hope to provide you with the best service and solution. Let us make a better world for our industry!



Contact us

Tel: +86-755-8981 8866 Fax: +86-755-8427 6832

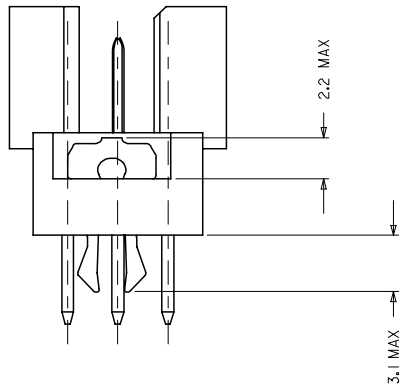
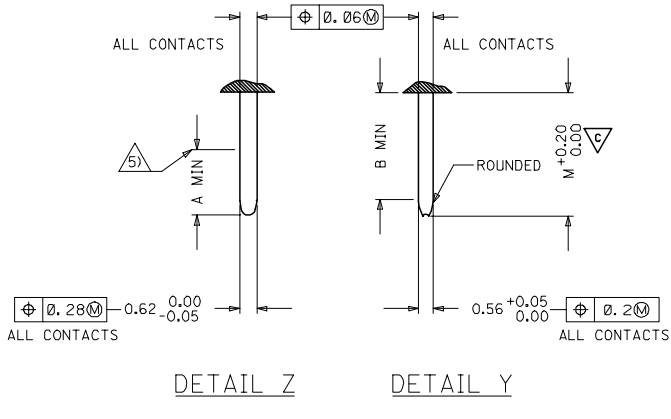
Email & Skype: info@chipsmall.com Web: www.chipsmall.com

Address: A1208, Overseas Decoration Building, #122 Zhenhua RD., Futian, Shenzhen, China



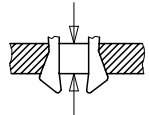
PRE MATING CONTACTS	5.4	4.1	4.8
NORMAL CONTACTS	4.8	3.5	4.2
	M	A	B

MALE CONNECTOR WITH MOUNTING CLIPS



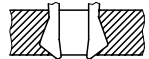
CLIPS SNAP UNDER
PC - BOARD OF
1.5 to 1.8 mm
Fm < 60N
Fr >= 20N
Fr >= 200N, WHEN
SOLDERED IN
PLATED - THROUGH
FIXING HOLES

Fm = MOUNTING FORCE
(FOR ONE CONNECTOR = 2 CLIPS)



FR = RETENTION FORCE
(FOR ONE CONNECTOR = 2 CLIPS)

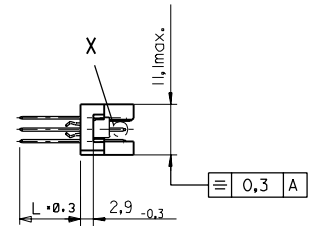
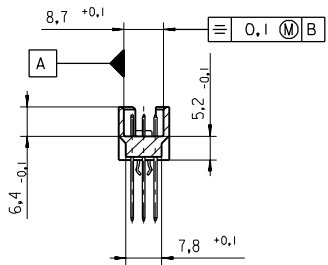
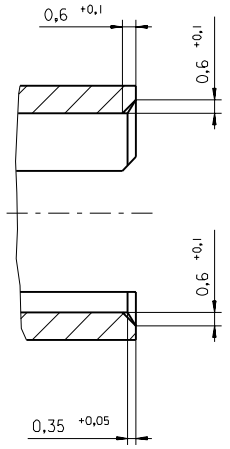
CLIPS STICK IN
FIXING HOLE OF
PC - BOARDS
OVER 1.8 mm
Fm < 60N
FR >= 16N



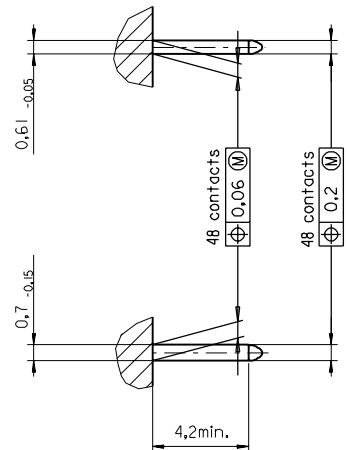
IEC NO. 12005-0092 2004/11/23 DRW:SHYASHA CHK:KPRASAD APPR:SSUDHIR 2004/11/23	QUALITY SYMBOLS	GENERAL TOLERANCES (UNLESS SPECIFIED)		DIMENSION STYLE		SCALE	DESIGN UNITS	THIRD ANGLE PROJECTION	
	$\nabla=0$ $\nabla=1$	mm	INCH	MM ONLY	2:1	METRIC			
		4 PLACES ±	±	NS	DATE	TITLE			
		3 PLACES ±0.005	±	NS	2004/03/31	48 POS. MALE CONNECTOR			
	2 PLACES ±0.05	±	GJLOWE	DATE	ACC. DIN 41612				
	1 PLACE ±0.1	±	GJLOWE	2004/03/31	STYLE R/2 CONTACTS				
	ANGULAR ± 2°			APPROVED BY	MATERIAL NO.				
				GJLOWE	2004/03/31	DOCUMENT NO.		SHEET NO.	
DRAFT WHERE APPLICABLE MUST REMAIN WITHIN DIMENSIONS		SEE CHART		E-85013-0002		2 OF 2			
THIS DRAWING CONTAINS INFORMATION THAT IS PROPRIETARY TO MOLEX INCORPORATED AND SHOULD NOT BE USED WITHOUT WRITTEN PERMISSION									

PART NO.
DWG. NO.

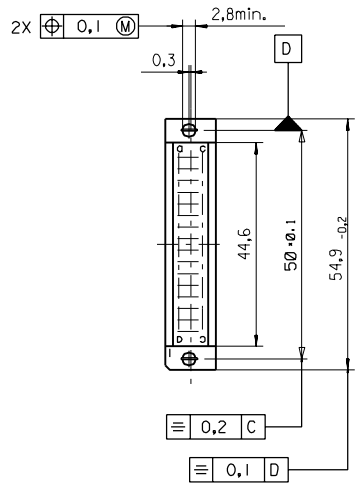
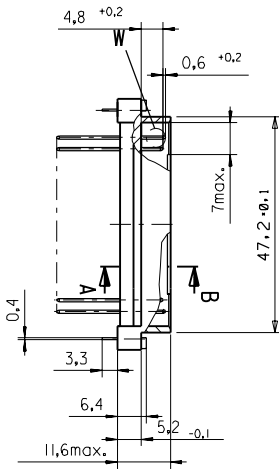
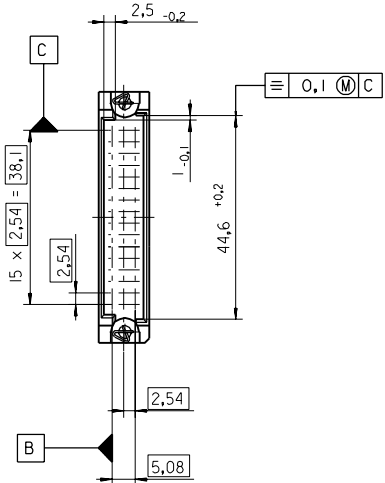
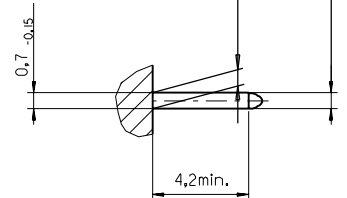
Section A - B
5:1



View X
5:1



View W
5:1



FIRST ANGLE PROJECTION		REVISE ONLY ON CAD SYSTEM		SH.	REV.
first release see ECN No. 1887	L TR FOR PREVIOUS REVISIONS SEE MRI LIST	UNLESS OTHERWISE SPECIFIED TOLERANCES: ANGULAR ± 2°	DRWG BY Ca	CAD/CAM PROJECT NAME 85013000 821	
		INCH METRIC	CHK'D BY KN	THIS DRAWING CONTAINS INFORMATION THAT IS PROPRIETARY TO MOLEX INC. & SHOULD NOT BE USED WITHOUT WRITTEN PERMISSION	
3 PLACE ± . ±	2 PLACE ± . ±	1 PLACE ± . ±	APP'D BY	TITLE 48 pos. Male connector acc. DIN 41612 style R/2 Dimensions	
DRAFT WHERE APPLICABLE MUST REMAIN WITHIN DIMENSIONS			SCALE	SHEET NO. DATE 1 OF 95/06/08	
DESIGN DIMENSION <input checked="" type="checkbox"/> MM <input type="checkbox"/> IN.			MOLEX EUROPE		
EQUIVALENT DIMENSION <input type="checkbox"/> MM <input type="checkbox"/> IN.			PART NO. DWG NO. SIZE		
IF TWO DIMENSIONS ARE SHOWN THE UPPER IS THE DESIGN DIMENSION, LOWER IS SECONDARY			SDA-85013-0002 B		

VIEW ON MATING SIDE

⊂	A	A	A	A	A	A	A	A	A	A	A	A	A	A	A	A	A	A
⊃	A	A	A	A	A	A	A	A	A	A	A	A	A	A	A	A	A	A
⊄	A	A	A	A	A	A	A	A	A	A	A	A	A	A	A	A	A	A

1 2 3 4 5 6 7 8 9 10 11 12 13 14 15 16 17 18 19 20 21 22 23 24 25 26 27 28 29 30 31 32 33 34 35 36 37 38 39 40 41 42 43 44 45 46 47 48 49 50 51 52 53 54 55 56 57 58 59 60 61 62 63 64 65 66 67 68 69 70 71 72 73 74 75 76 77 78 79 80 81 82 83 84 85 86 87 88 89 90 91 92 93 94 95 96 97 98 99 100

A = 48 STANDARD CONTACTS L-2,9

Marking	Standard
Performance level	G2/0 = Contact area perform. level2 / Termination tin
Flux proof	no
Fixing clip	yes
Dimensions	SDA-85013-0002 sht.1
Technical Data	PS-85013-0001

A	G2/0	a1-16	b1-16	c1-16
Contact symbol	Perform. level	Contact position number		

first release see ECN No. 2351	REVISIONS		FOR PREVIOUS REVISIONS SEE MRI LIST	
	LTR	Δ		
UNLESS OTHERWISE SPECIFIED TOLERANCES: ANGULAR ± 2° INCH METRIC		DRWG BY	SIGN	
3 PLACE ± .	±	Ca		
2 PLACE ± .	±	CHK'D BY	SIGN	
1 PLACE ± .	±	KN		
DRAFT WHERE APPLICABLE MUST REMAIN WITHIN DIMENSIONS		APP'D BY	SIGN	
DESIGN DIMENSION	<input type="checkbox"/> MM <input type="checkbox"/> IN.	JB		
EQUIVALENT DIMENSION	<input type="checkbox"/> MM <input type="checkbox"/> IN.	SCALE		
IF TWO DIMENSIONS ARE SHOWN, THE UPPER IS THE DESIGN DIMENSION, LOWER IS SECONDARY				
REVISE ONLY ON CAD SYSTEM		SH. REV.		
CAD/CAM PROJECT NAME		THIS DRAWING CONTAINS INFORMATION THAT IS PROPRIETARY TO MOLEX INC. & SHOULD NOT BE USED WITHOUT WRITTEN PERMISSION		
s8501310		s21		
TITLE		SHEET NO. DATE		
48 pos. Male connector acc. DIN 41612 style R/2 contacts arrangement		1 OF 1 96/12/05		
MOLEX EUROPE		DWG NO. SDA-85013-1029		
PART NO. 85013-1029		SIZE A		