



Chipsmall Limited consists of a professional team with an average of over 10 year of expertise in the distribution of electronic components. Based in Hongkong, we have already established firm and mutual-benefit business relationships with customers from,Europe,America and south Asia,supplying obsolete and hard-to-find components to meet their specific needs.

With the principle of "Quality Parts,Customers Priority,Honest Operation,and Considerate Service",our business mainly focus on the distribution of electronic components. Line cards we deal with include Microchip,ALPS,ROHM,Xilinx,Pulse,ON,Everlight and Freescale. Main products comprise IC,Modules,Potentiometer,IC Socket,Relay,Connector.Our parts cover such applications as commercial,industrial, and automotives areas.

We are looking forward to setting up business relationship with you and hope to provide you with the best service and solution. Let us make a better world for our industry!



Contact us

Tel: +86-755-8981 8866 Fax: +86-755-8427 6832

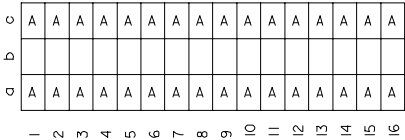
Email & Skype: info@chipsmall.com Web: www.chipsmall.com

Address: A1208, Overseas Decoration Building, #122 Zhenhua RD., Futian, Shenzhen, China



20 19 18 17 16 15 14 13 12 11 9 8 7 6 5 4 3 2 1

VIEW ON MATING SIDE



A = 32 STANDARD CONTACTS L = 2

MARKING	STANDARD
PERFORMANCE LEVEL	G/O = CONTACT AREA LEVEL 1 / TERMINATION TIN
FLUX PROOF	NO
FIXING CLIP	NO
DIMENSIONS	SD-85013-0002 SHT 1

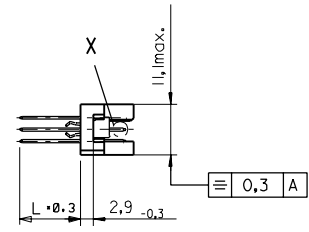
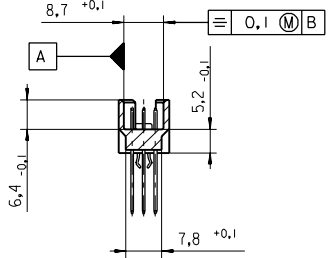
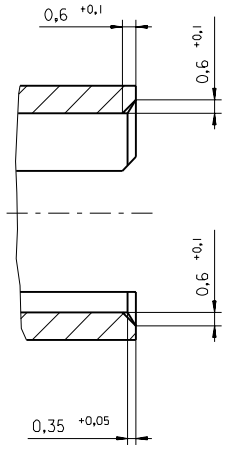
A	G/O	a1-16 c1-16
CONTACT SYMBOL	PERFORMANCE LEVEL	CONTACT POSITION NUMBER

EC NO. I 2004-XXXX DRAWN N.S. 31/03/04 CHK G.L. 31/03/04 APPR. L. 31/03/04	QUALITY SYMBOLS MAJOR CRITICAL	GENERAL TOLERANCES: (UNLESS SPECIFIED) mm INCH 4 PLACES ±0. ±. 3 PLACES ±0. ±. 2 PLACES ±0. ±. 1 PLACE ±0. ±.	SCALE DRAWN BY & DATE N.S. 31/03/04 CHECKED BY & DATE G.L. 31/03/04 APPROVED BY & DATE G.L. 31/03/04	DESIGN UNITS <input checked="" type="checkbox"/> MM <input type="checkbox"/> INCH THIRD ANGLE PROJECTION <input type="checkbox"/> 1st ANGLE <input checked="" type="checkbox"/> 2nd ANGLE	DIMENSIONS: <input type="checkbox"/> MM <input type="checkbox"/> INCH <input checked="" type="checkbox"/> INCH ONLY SHT 1 REV
	TITLE: 48 POS MALE CONNECTOR ACCORDING DIN 41612 STYLE R/2 CONTACTS ARRANGEMENT	MATERIAL NO. 85013-1768 DRAWING NO. SD-85013-1768	SHEET NO. 1 OF 1 SIZE D		
	CAD FILENAME: S850131768.S01	THIS DRAWING CONTAINS INFORMATION THAT IS PROPRIETARY TO MOLEX INCORPORATED AND SHOULD NOT BE USED WITHOUT WRITTEN PERMISSION.	MOLEX INCORPORATED		
	DRAFT WHERE APPLICABLE MUST REMAIN WITHIN DIMENSIONS	THIS DRAWING CONTAINS INFORMATION THAT IS PROPRIETARY TO MOLEX INCORPORATED AND SHOULD NOT BE USED WITHOUT WRITTEN PERMISSION.	MOLEX INCORPORATED		

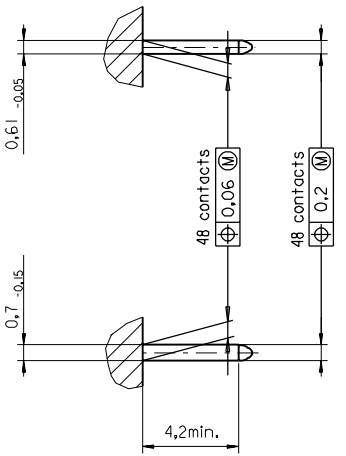
19 18 17 16 15 14 13 12 11 10 9 8 7 6 5 4 3 2 1

PART NO.
DWG. NO.

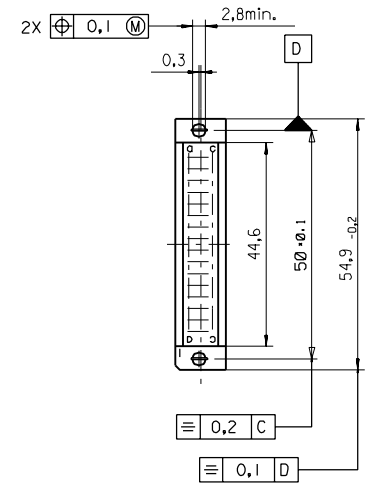
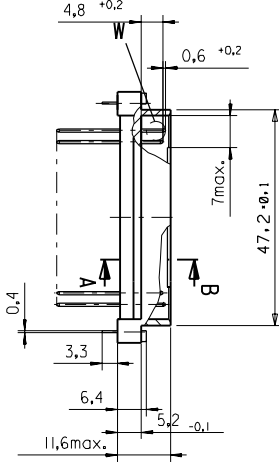
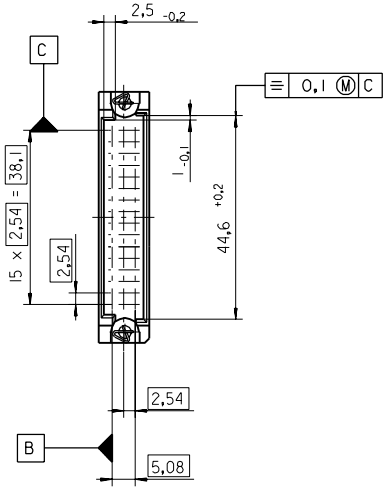
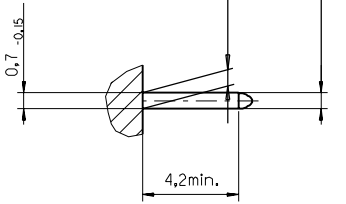
Section A - B
5:1



View X
5:1



View W
5:1



FIRST ANGLE PROJECTION		REVISE ONLY ON CAD SYSTEM		SH.	REV.
first release see ECN No. 1887	L TR FOR PREVIOUS REVISIONS SEE MRI LIST	UNLESS OTHERWISE SPECIFIED TOLERANCES: ANGULAR ±2°	DRWG BY Ca	CAD/CAM PROJECT NAME 85013000 821	
		INCH METRIC	CHK'D BY KN	THIS DRAWING CONTAINS INFORMATION THAT IS PROPRIETARY TO MOLEX INC. & SHOULD NOT BE USED WITHOUT WRITTEN PERMISSION	
		3 PLACE ± . ±		TITLE 48 pos. Male connector acc. DIN 41612 style R/2 Dimensions	
		2 PLACE ± . ±		SHEET NO. DATE 1 OF 95/06/08	
		1 PLACE ± . ±		MOLEX MOLEX EUROPE	
		DRAFT WHERE APPLICABLE MUST REMAIN WITHIN DIMENSIONS		PART NO. DWG NO. SIZE	
		DESIGN DIMENSION <input checked="" type="checkbox"/> MM <input type="checkbox"/> IN.		SDA-85013-0002 B	
		EQUIVALENT DIMENSION <input type="checkbox"/> MM <input type="checkbox"/> IN.			
		IF TWO DIMENSIONS ARE SHOWN THE UPPER IS THE DESIGN DIMENSION, LOWER IS SECONDARY			

VIEW ON MATING SIDE

⊂	A	A	A	A	A	A	A	A	A	A	A	A	A	A	A	A	A	A
⊃	A	A	A	A	A	A	A	A	A	A	A	A	A	A	A	A	A	A
⊄	A	A	A	A	A	A	A	A	A	A	A	A	A	A	A	A	A	A

1 2 3 4 5 6 7 8 9 10 11 12 13 14 15 16 17 18 19 20 21 22 23 24 25 26 27 28 29 30 31 32 33 34 35 36 37 38 39 40 41 42 43 44 45 46 47 48

A = 48 STANDARD CONTACTS L=4,5

Marking	Standard
Performance level	G1/0 = Contact area perform. level / Termination tin
Flux proof	no
Fixing clip	no
Dimensions	SDA-85013-0002 sht.1
Technical Data	PS-85013-0001

A	G1/0	a1-16	b1-16	c1-16
Contact symbol	Perform. level	Contact position number		

ECN No. MC1998-2626 first release	REVISIONS		FOR PREVIOUS REVISIONS SEE MRI LIST	
	LTR			
UNLESS OTHERWISE SPECIFIED TOLERANCES: ANGULAR ± 2° INCH METRIC		DRWG BY	SIGN	CAD/CAM PROJECT NAME
3 PLACE ± .	±	Ca		sb8501317
2 PLACE ± .	±	CHK'D BY	SIGN	s61
1 PLACE ± .	±	KN		
DRAFT WHERE APPLICABLE MUST REMAIN WITHIN DIMENSIONS		APP'D BY	SIGN	TITLE
DESIGN DIMENSION	<input type="checkbox"/> MM <input type="checkbox"/> IN.	JB		48 pos. Male connector acc. DIN 41612 style R/2 contacts arrangement
EQUIVALENT DIMENSION	<input type="checkbox"/> MM <input type="checkbox"/> IN.	SCALE		
IF TWO DIMENSIONS ARE SHOWN, THE UPPER IS THE DESIGN DIMENSION, LOWER IS SECONDARY		REVISE ONLY ON CAD SYSTEM		
		SH. REV.		SHEET NO. DATE
		PART NO.		1 OF 1 97/10/24
		DWG NO.		SDA-85013-1768
		SIZE		A