



Chipsmall Limited consists of a professional team with an average of over 10 year of expertise in the distribution of electronic components. Based in Hongkong, we have already established firm and mutual-benefit business relationships with customers from,Europe,America and south Asia,supplying obsolete and hard-to-find components to meet their specific needs.

With the principle of “Quality Parts,Customers Priority,Honest Operation,and Considerate Service”,our business mainly focus on the distribution of electronic components. Line cards we deal with include Microchip,ALPS,ROHM,Xilinx,Pulse,ON,Everlight and Freescale. Main products comprise IC,Modules,Potentiometer,IC Socket,Relay,Connector.Our parts cover such applications as commercial,industrial, and automotives areas.

We are looking forward to setting up business relationship with you and hope to provide you with the best service and solution. Let us make a better world for our industry!



Contact us

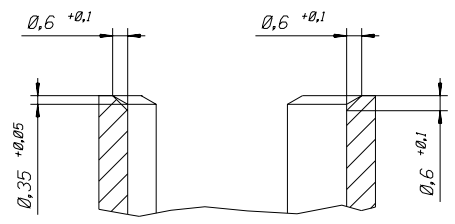
Tel: +86-755-8981 8866 Fax: +86-755-8427 6832

Email & Skype: info@chipsmall.com Web: www.chipsmall.com

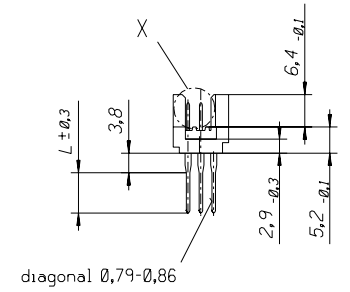
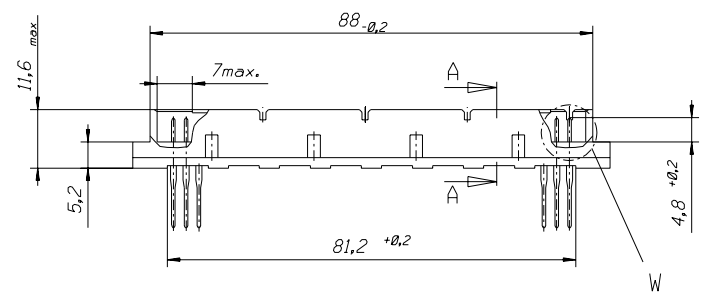
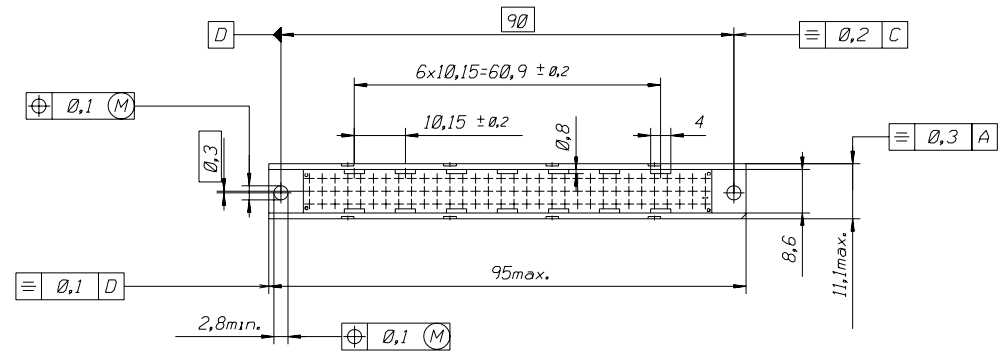
Address: A1208, Overseas Decoration Building, #122 Zhenhua RD., Futian, Shenzhen, China



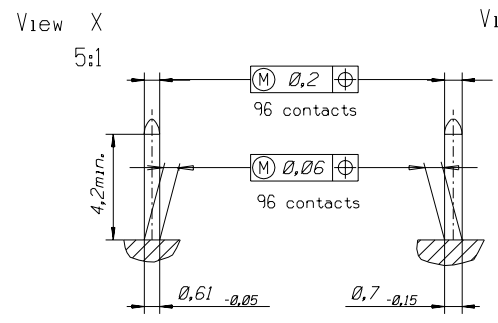
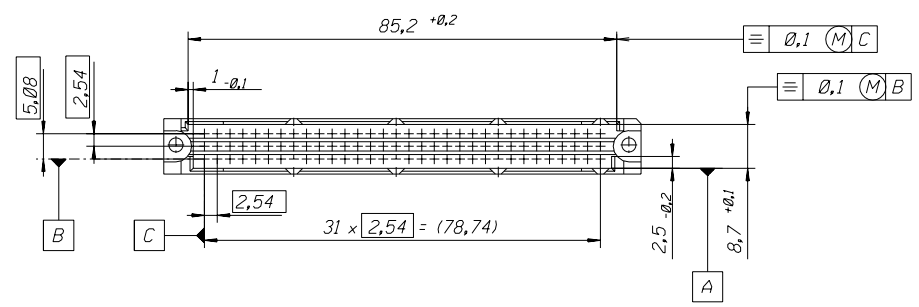
PART NO.
DWG. NO.



section A-A
5:1



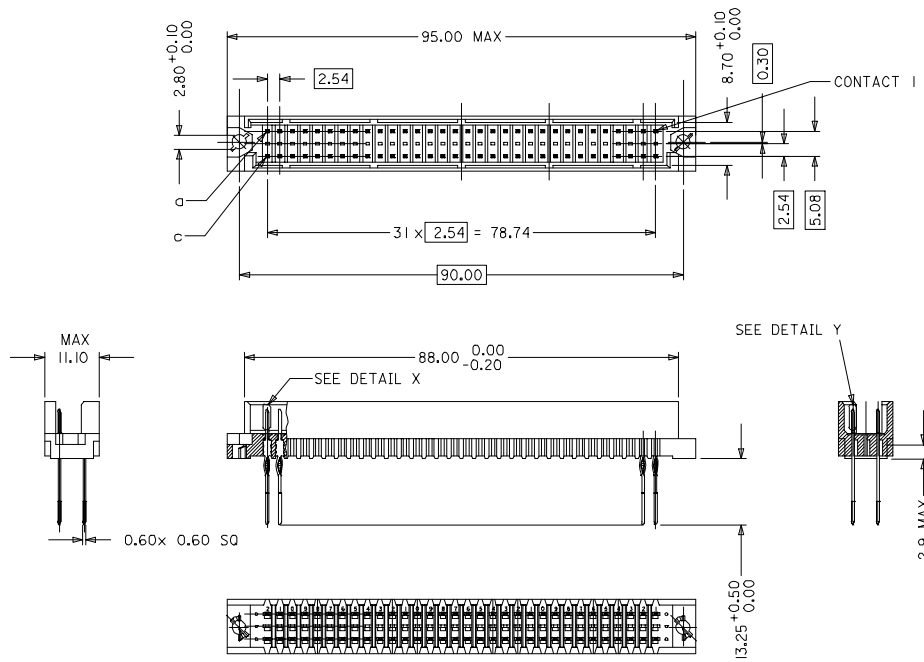
diagonal 0,79-0,86



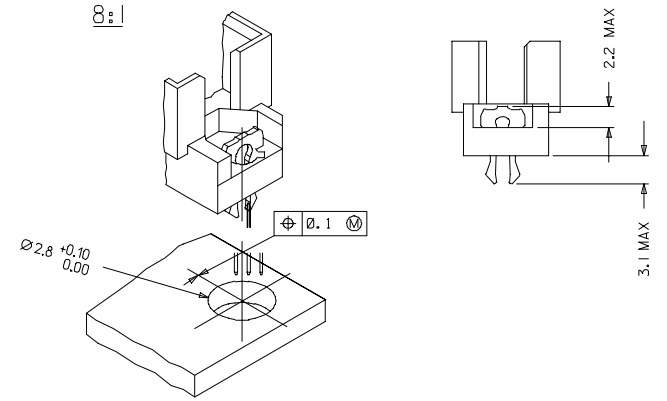
View X
5:1

View W
5:1

ECN MC2003-0052	WM RELEASE 02-08-15 EF	FIRST ANGLE PROJECTION		REVISE ONLY ON CAD SYSTEM		SH.	REV.
	LTR REVISIONS FOR PREVIOUS REVISIONS SEE INR LIST	UNLESS OTHERWISE SPECIFIED TOLERANCES: ANGULAR ±2'	DRWG BY Ca	SIGN	CAD/CAM PROJECT NAME THIS DRAWING CONTAINS INFORMATION THAT IS PROPRIETARY TO MOLEX INC. & SHOULD NOT BE USED WITHOUT WRITTEN PERMISSION		
		3 PLACE ± . ±	CHK'D BY KN	SIGN	TITLE 96 pos. Male connector DIN 41612 style R (C-Pin) Dimensions		
		2 PLACE ± . ±	APP'D BY	SIGN			
1 PLACE ± . ±	DRAFT WHERE APPLICABLE MUST REMAIN WITHIN DIMENSIONS		SCALE 1:1	SHEET NO. DATE 1 OF 3 9/11/28		PART NO. DWG NO. SIZE see sh. no. 2 of 3 610-6043-201 B	
DESIGN DIMENSION <input checked="" type="checkbox"/> MM <input type="checkbox"/> IN.		EQUIVALENT DIMENSION <input type="checkbox"/> MM <input type="checkbox"/> IN.		MOLEX MOLEX EUROPE			
IF TWO DIMENSIONS ARE SHOWN THE UPPER IS THE DESIGN DIMENSION, LOWER IS SECONDARY							

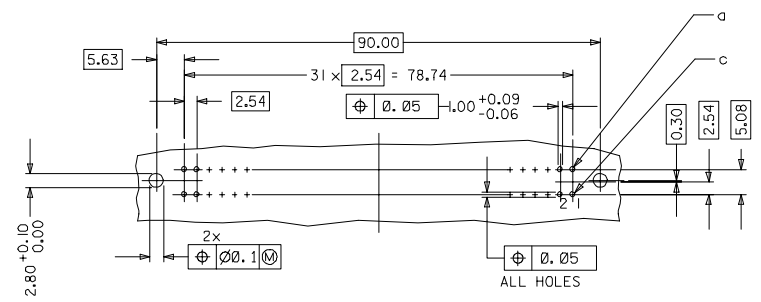


WITH MOUNTING CLIPS



- NOTES:
- 1) MATERIALS: THERMOPLASTIC POLYESTER, GLASS FILLED, UL94-V0
 COLOUR: PEBBLE GREY RAL 7032
 TERMINAL - PHOSPHOR BRONZE
 MOUNTING CLIP: STEEL
 - 2) FINISH: TERMINAL:-
 CONTACT AREA :
 PERFORMANCE LEVEL 2: SELECTIVE GOLD (Au), THICKNESS = 0.8 MICROMETER
 OVER NICKEL, THICKNESS = 1.25 MICROMETER MIN
 PRESS-IN AREA :
 Au FLASH
 OVER NICKEL, THICKNESS = 1.25 MICROMETER MIN OVERALL
 WIRE WRAP AREA :
 PERFORMANCE LEVEL 2: SELECTIVE GOLD (Au), THICKNESS = 0.8 MICROMETER
 OVER NICKEL, THICKNESS = 1.25 MICROMETER MIN
 - 3) MOUNTING CLIP:-
 TIN (Sn), THICKNESS = 5-10 MICROMETER,
 OVER NICKEL (Ni), THICKNESS = 2.5 MICROMETER
 - 4) FOR NON MOUNTING CLIP OPTION, CONNECTOR TO BE SECURED WITH
 RIVETS: 2 TUBULAR RIVETS 2.5 x 0.3 ... DIN 7340
 SCREWS: 2 CHEESEHEAD SCREWS M2.5 x ... DIN 84 AND 2 HEXAGONAL NUTS M2.5 DIN 934
 - 5) MATERIAL NUMBER, BATCH CODE, UL AND CSA MARKING
 TO BE PRINTED ON THE CONNECTOR
 - 6) CUT FACE OF TIP WITHOUT PLATING PERMITTED
 - 7) PRODUCT SPECIFICATION PS : 36515-001

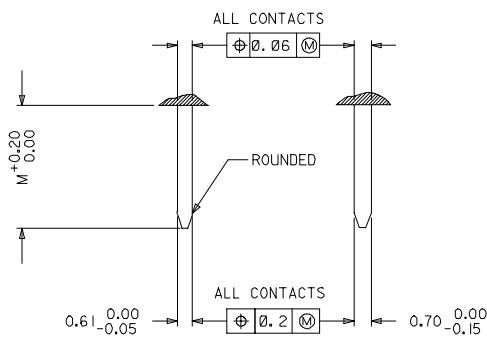
RECOMMENDED PCB LAYOUT
COMPONENT SIDE



EC NO. 12005-0365 DRAWN BY SIVAKUMAR CHECKED BY SUDHIR APPROVED BY RAJASAI	QUALITY SYMBOLS ▽=0 ▽=0	GENERAL TOLERANCES (UNLESS SPECIFIED)		DIMENSION STYLE		SCALE	DESIGN UNITS	THIRD ANGLE PROJECTION	
		mm	INCH	MM ONLY	INCH	2:1	METRIC		
A	DESCRIPTION	4 PLACES ±---	±---	DRAWN BY	DATE	TITLE			
		3 PLACES ±0.05	±---	SIVAKUMAR	2005/01/06	ASSY. DIN 41612. R MALE 64POS. A+C LOADED, PRESS-IN, WIRE WRAP			
A	REV	2 PLACES ±0.1	±---	CHECKED BY	DATE	MATERIAL NO.			
		1 PLACE ±0.15	±---	SUDHIR	2005/01/06	SD-85013-2282			
		ANGULAR ± 2 °		APPROVED BY		DOCUMENT NO.		SHEET NO.	
				SUDHIR		SD-85013-2282		1 OF 2	
		DRAFT WHERE APPLICABLE MUST REMAIN WITHIN DIMENSIONS		SIZE		THIS DRAWING CONTAINS INFORMATION THAT IS PROPRIETARY TO MOLEX INCORPORATED AND SHOULD NOT BE USED WITHOUT WRITTEN PERMISSION			
				A1					

MATERIAL No.	MOLEX ENG No.	PERF LEVEL	FINISH		CONTACT SEQUENCE/ROW	DIM "L" MM	MOUNTING CLIP	FMLB
			CONTACT AREA	TERMINATION AREA				
85013-2282	-	2	Au + Ni	Au + Ni	1,2,3...32 a+c	13.25	NO	NO

DETAILY DETAILX



PRE MATING CONTACTS	5.4
NORMAL CONTACTS	4.8
	M

IEC NO. 12005-0365 DRAWN BY: SIVAKUMAR 2005/01/10 CHECKED BY: SUDHIR 2005/01/10 APPROVED BY: APPR:KRAJAD 2005/01/10	QUALITY SYMBOLS	GENERAL TOLERANCES (UNLESS SPECIFIED)	DIMENSION STYLE	SCALE	DESIGN UNITS	THIRD ANGLE PROJECTION
	▽=0 ▽=0	mm INCH 4 PLACES ± --- ± --- 3 PLACES ± 0.05 ± --- 2 PLACES ± 0.1 ± --- 1 PLACE ± 0.15 ± --- ANGULAR ± 2 °	MM ONLY	2:1	METRIC	ASSY. DIN 41612, R MALE 64POS, A+C LOADED, PRESS-IN, WIRE WRAP
	DRAWN BY: SIVAKUMAR 2005/01/10 CHECKED BY: SUDHIR 2005/01/10 APPROVED BY: SUDHIR 2005/01/10	DRAFT WHERE APPLICABLE MUST REMAIN WITHIN DIMENSIONS	MATERIAL NO. 85013-2282 SIZE A 1	MOLEX INCORPORATED	SHEET NO. 2 OF 2	
	THIS DRAWING CONTAINS INFORMATION THAT IS PROPRIETARY TO MOLEX INCORPORATED AND SHOULD NOT BE USED WITHOUT WRITTEN PERMISSION					