



Chipsmall Limited consists of a professional team with an average of over 10 year of expertise in the distribution of electronic components. Based in Hongkong, we have already established firm and mutual-benefit business relationships with customers from,Europe,America and south Asia,supplying obsolete and hard-to-find components to meet their specific needs.

With the principle of "Quality Parts,Customers Priority,Honest Operation,and Considerate Service",our business mainly focus on the distribution of electronic components. Line cards we deal with include Microchip,ALPS,ROHM,Xilinx,Pulse,ON,Everlight and Freescale. Main products comprise IC,Modules,Potentiometer,IC Socket,Relay,Connector.Our parts cover such applications as commercial,industrial, and automotives areas.

We are looking forward to setting up business relationship with you and hope to provide you with the best service and solution. Let us make a better world for our industry!



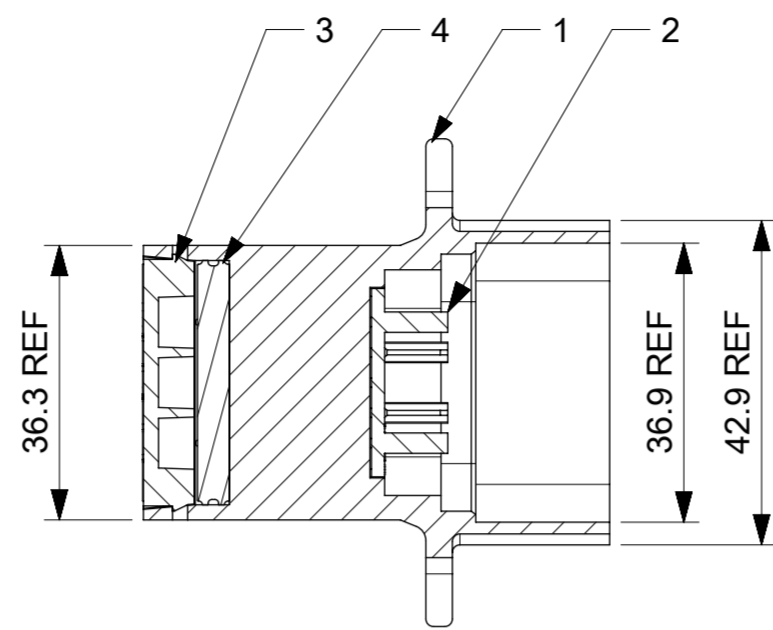
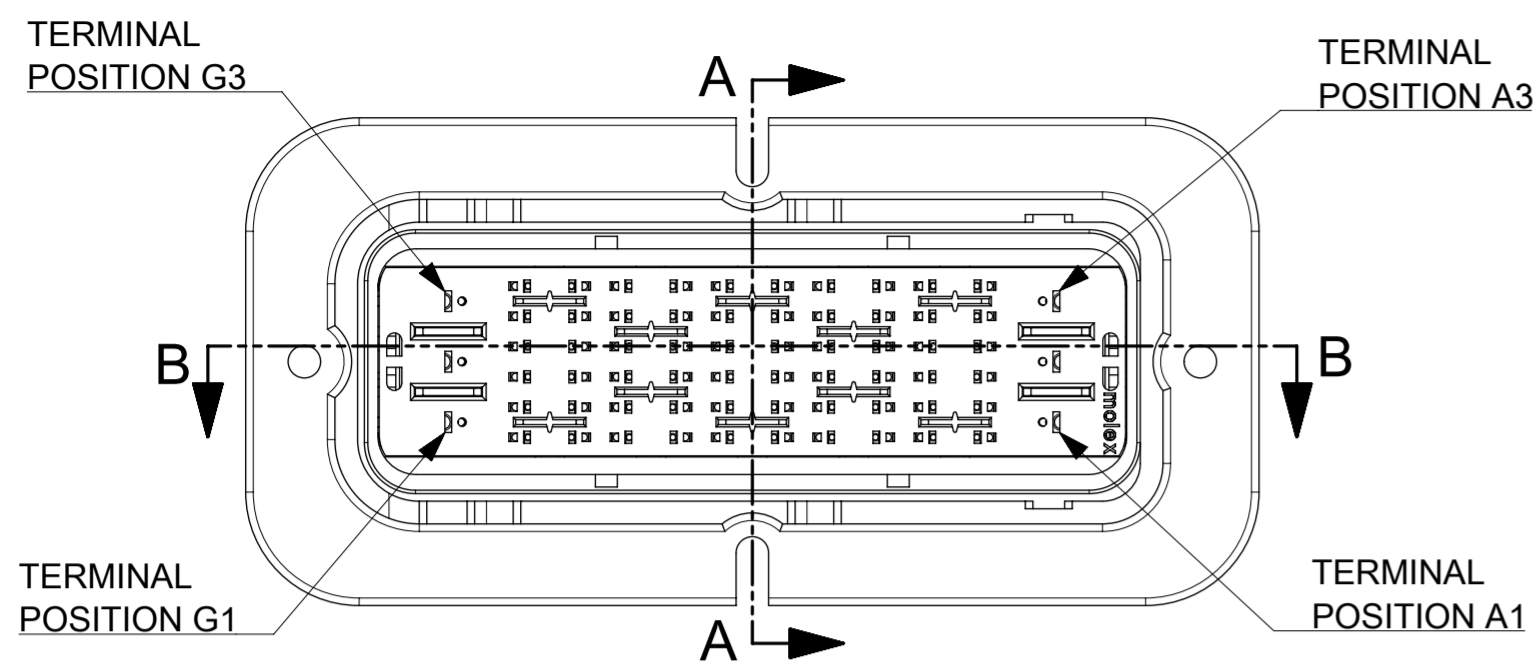
Contact us

Tel: +86-755-8981 8866 Fax: +86-755-8427 6832

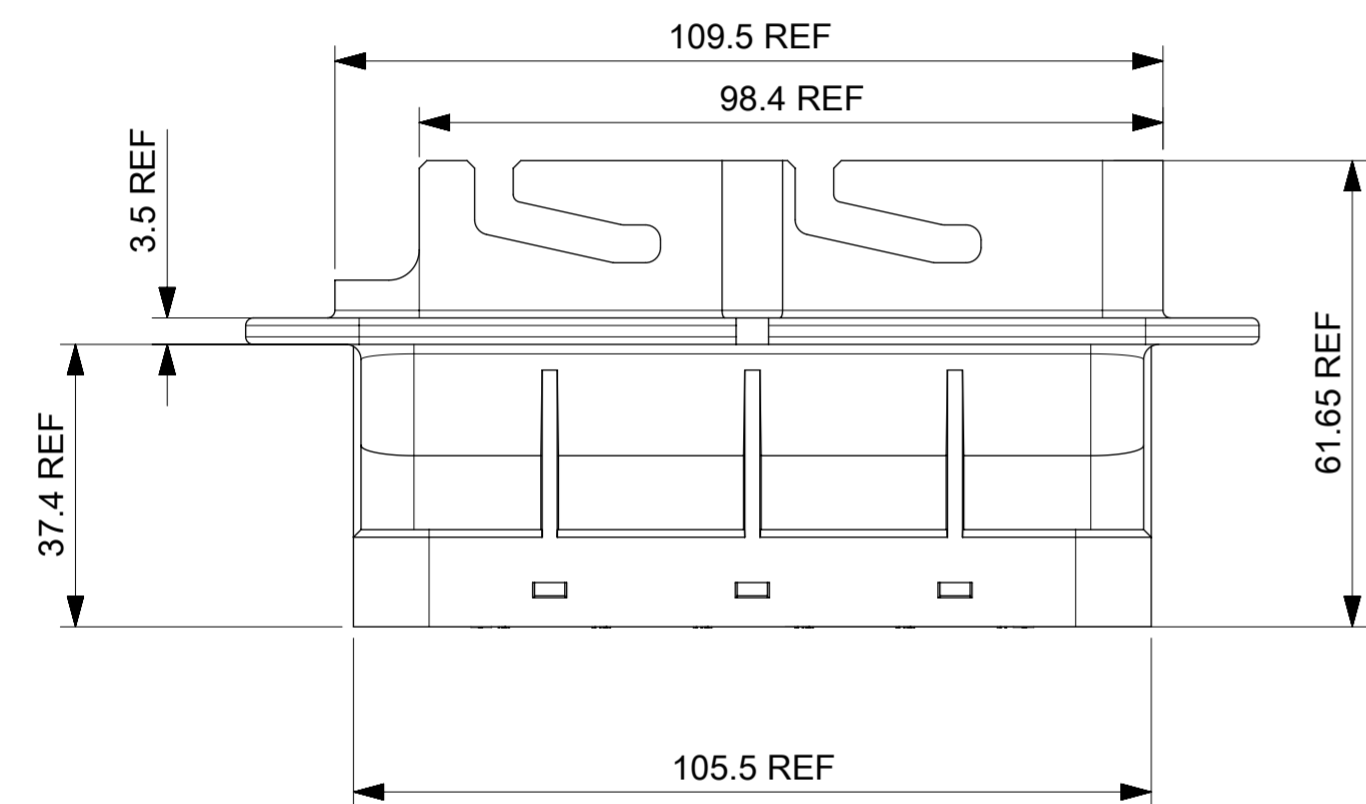
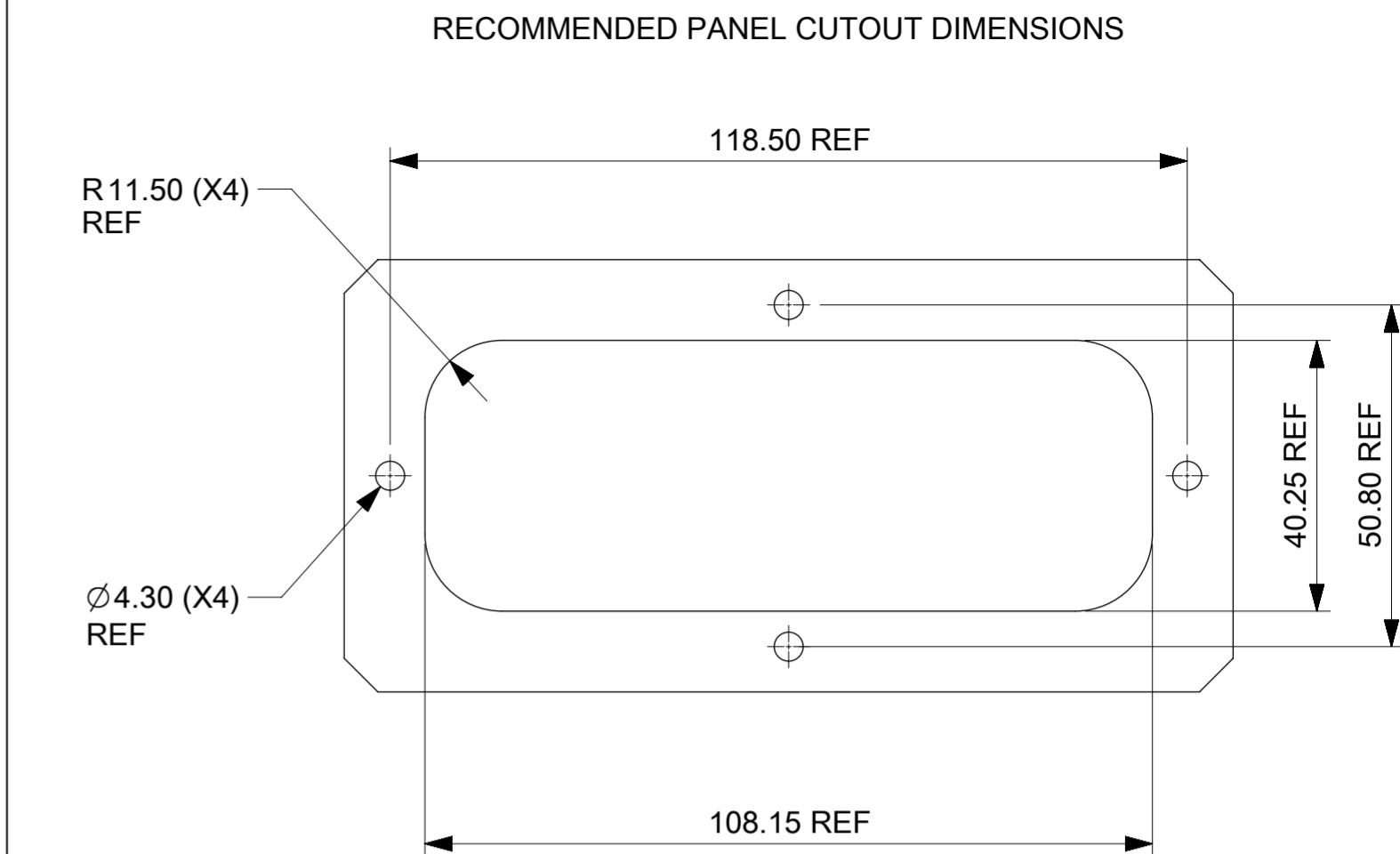
Email & Skype: info@chipsmall.com Web: www.chipsmall.com

Address: A1208, Overseas Decoration Building, #122 Zhenhua RD., Futian, Shenzhen, China

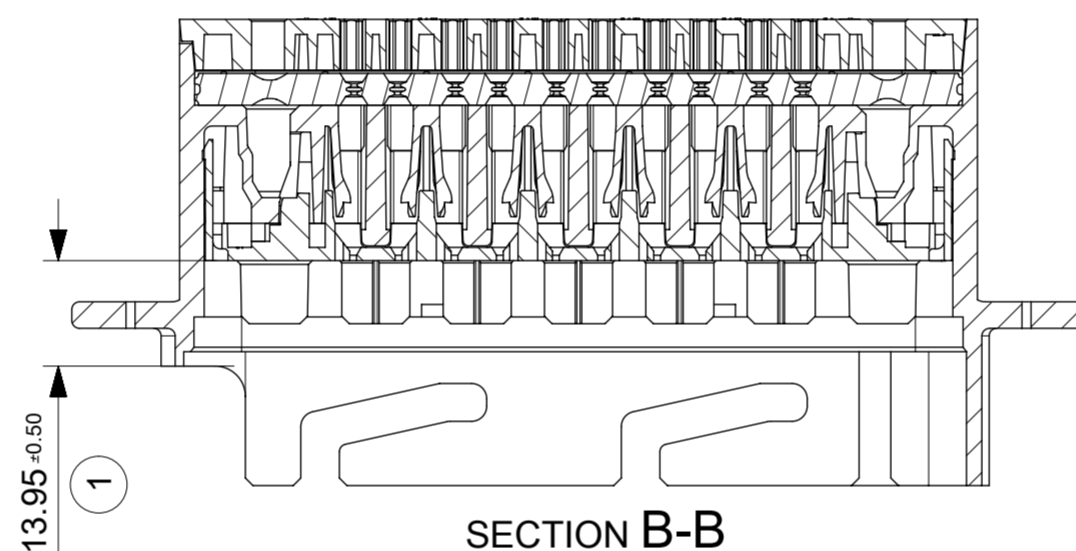




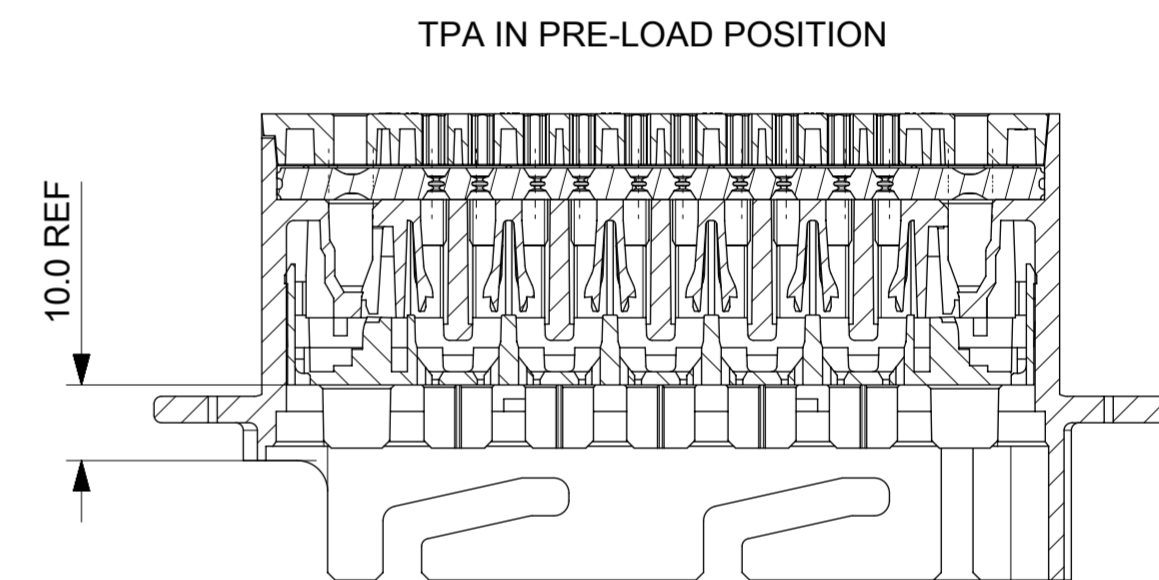
SECTION A-A



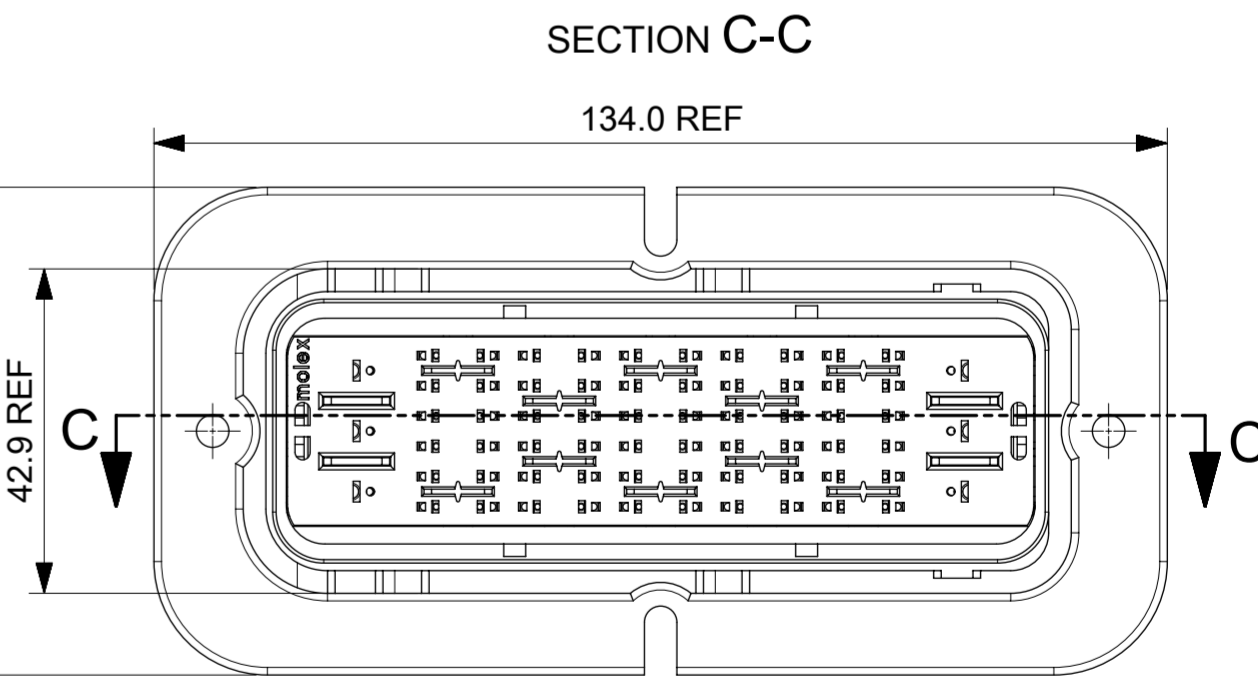
TPA IN CLOSED (AS SHIPPED) POSITION



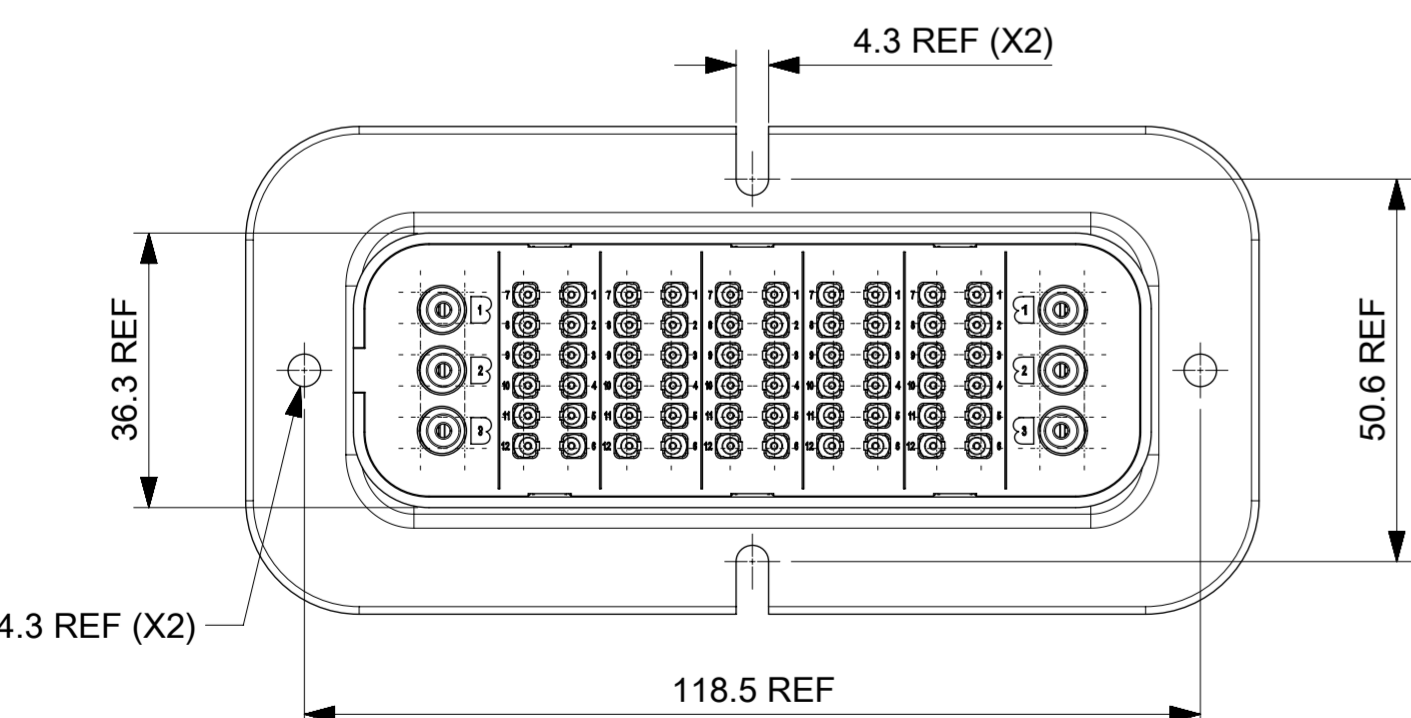
SECTION B-B



TPA IN PRE-LOAD POSITION



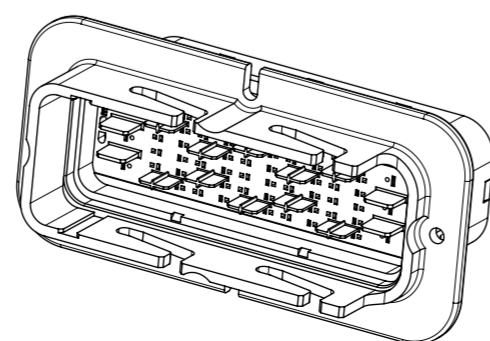
SECTION C-C



NOTES:

1. MATERIALS:
HOUSINGS: SPS/NYLON BLEND, GLASS FILLED, UL 94 HB
SEAL: SILICONE RUBBER
2. MX150 BLADE TERMINALS PER SD-33000-001 TO BE USED WITH THIS ASSEMBLY IN CAVITIES B, C, D, E & F, CRIMPED WITH CABLE INSULATION OUTER DIAMETER IN THE RANGE 1.5mm TO 2.7mm
3. MX150L BLADE TERMINALS PER SD-19431-00* TO BE USED WITH THIS ASSEMBLY IN CAVITIES A & G, CRIMPED WITH CABLE INSULATION OUTER DIAMETER IN THE RANGE 3.0mm TO 5.0mm
4. PRODUCT SPECIFICATION: 850830010 PSK
5. PACKAGING SPECIFICATION: 850710010 PSK
6. MATES WITH: SRC 60+6AG POWER RECEPTACLE HOUSING ASSEMBLY PART NUMBER 850840700 PER 850840700 PSD
7. APPLICATION SPECIFICATION: 850830010 PSA
8. FLANGE GASKET OPTION: REFER TO 850710017 PSD

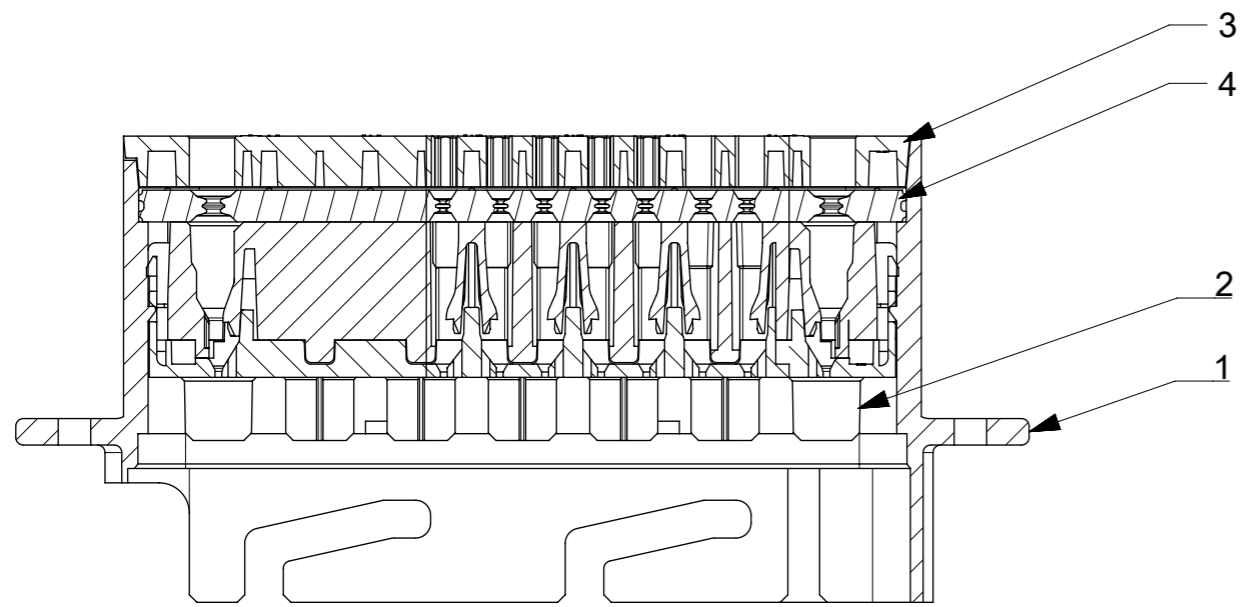
INSPECTION NUMBERS RESERVED FOR SHEET 1: 1-50
LAST INSPECTION NUMBER USED: 1



No.	DESCRIPTION	QTY.	COLOUR
4	MALE BACK SEAL	1	RUST RED
3	MALE REAR COVER	1	BLACK
2	MALE FRONT COVER (TPA)	1	GREEN
1	MALE HOUSING	1	BLACK

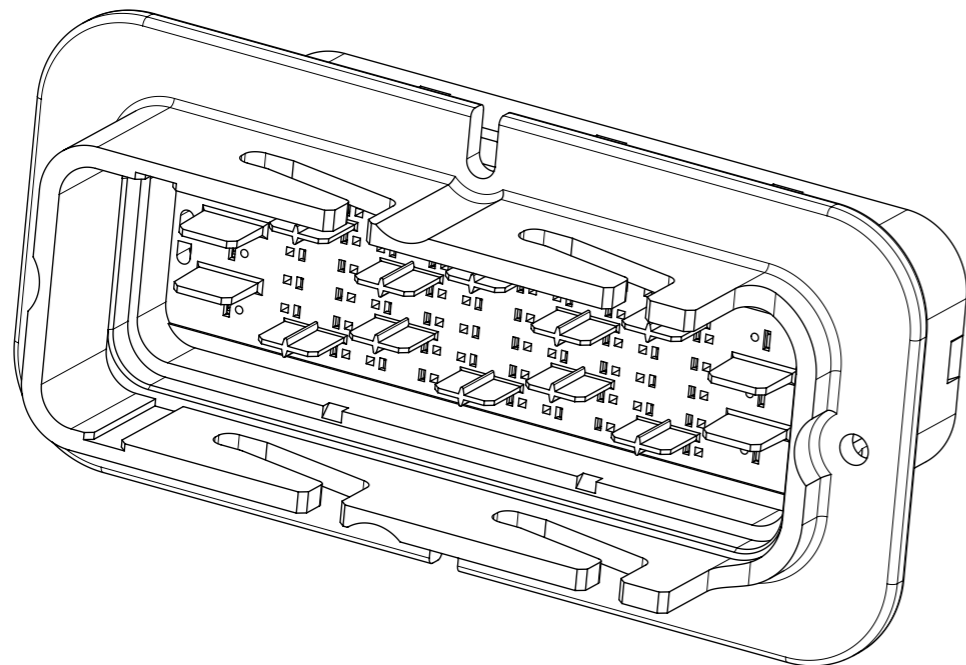
BILL OF MATERIAL

QUALITY SYMBOLS	THIS DRAWING CONTAINS INFORMATION THAT IS PROPRIETARY TO MOLEX ELECTRONIC TECHNOLOGIES, LLC AND SHOULD NOT BE USED WITHOUT WRITTEN PERMISSION		GENERAL TOLERANCES (UNLESS SPECIFIED)	DIMENSION UNITS	SCALE		SRC MALE 60+6AG ASSY/ 60+6AG WITH 2.5MM²
▽ = 0 ▽ = 0 ▽ = 0 ▽ = 0 ▽ = 0 ▽ = 0 ▽ = 0 ▽ = 0 ▽ = 0	EC NO: 102579 DRWN: AJOBRIEN CHKD: SMCGREEVY REV: A	2016/01/21 2016/01/22 2016/01/26	MM ANGULAR TOL ± 0.5 ° 4 PLACES ± 3 PLACES ± 2 PLACES ± 0.2 1 PLACE ± 0.5 0 PLACES ± DRAFT WHERE APPLICABLE MUST REMAIN WITHIN DIMENSIONS	MM 1:1	DRWN BY: AJOBRIEN DATE: 2016/01/21 CHKD BY: SMCGREEVY DATE: 2016/01/22 APPR BY: JDWALLACE DATE: 2016/01/26		
DOCUMENT NUMBER: 850830300 DOC TYPE: PSD DOC PART: 000 SHEET NUMBER: 1 OF 2							



SECTION M-M

4	MALE BACK SEAL	1	RUST RED
3	MALE REAR COVER	1	BLACK
2	MALE FRONT COVER (TPA)	1	GREEN
1	MALE HOUSING	1	BLACK
No.	DESCRIPTION	QTY.	COLOUR
BILL OF MATERIAL			

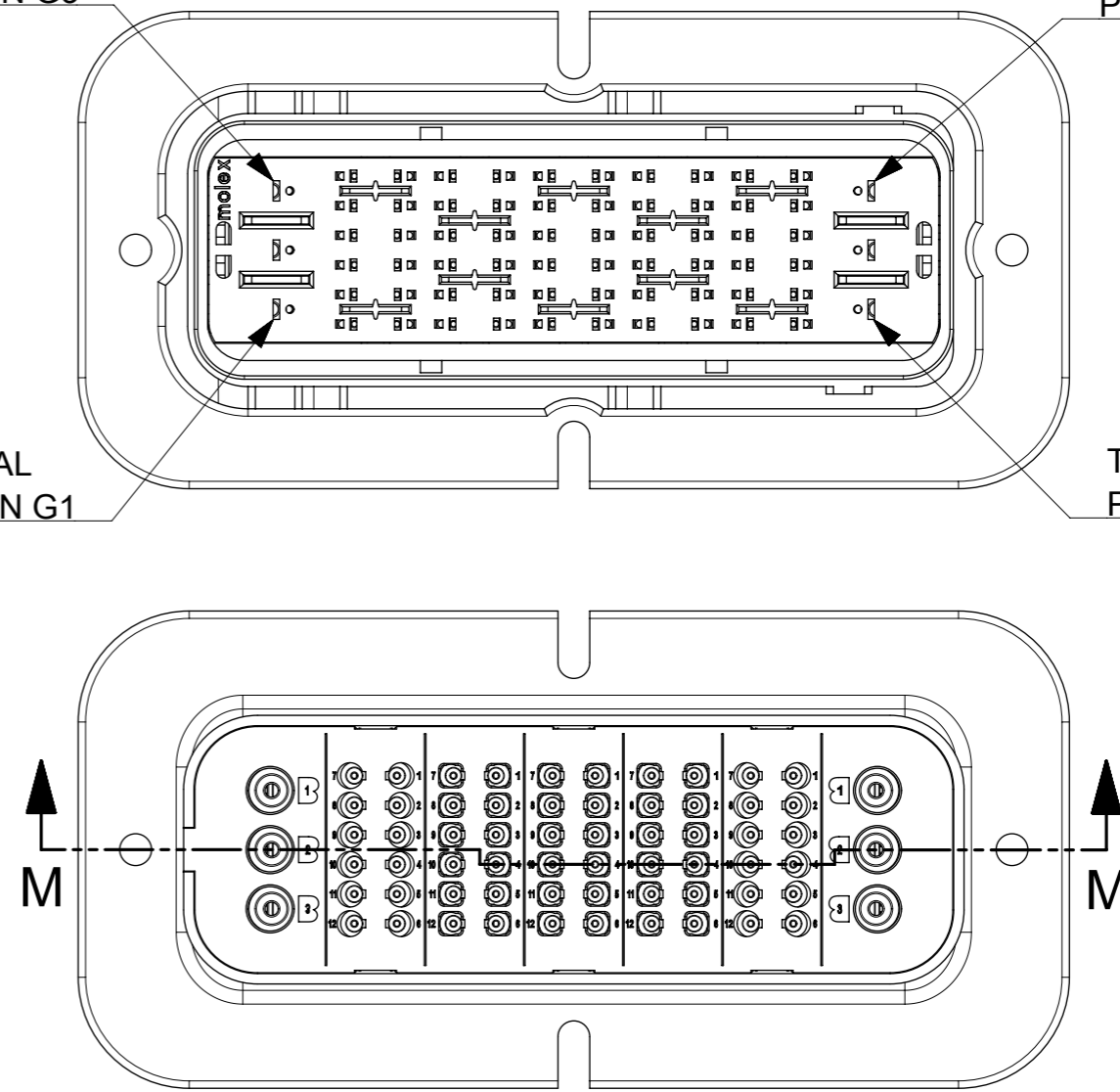


TERMINAL POSITION G3

TERMINAL POSITION A3

TERMINAL POSITION G1

TERMINAL POSITION A1



NOTES:

1. REFERENCE SHEET 1 FOR UNSPECIFIED NOTES AND DIMENSIONS
2. MX150 BLADE TERMINALS PER SD-33000-001 TO BE USED WITH THIS ASSEMBLY IN CAVITIES C, D AND E, CRIMPED WITH CABLE INSULATION OUTER DIAMETER IN THE RANGE 1.5mm TO 2.7mm
3. SRC BLADE TERMINALS PER 936420010 PSD MAY BE USED WITH THIS ASSEMBLY IN CAVITIES B AND F, CRIMPED WITH 2.5mm² (13AWG) CABLE INSULATION OUTER DIAMETER IN THE RANGE 2.7mm TO 3.0mm
4. MX150L BLADE TERMINALS PER SD-19431-00* TO BE USED WITH THIS ASSEMBLY IN CAVITIES A AND G, CRIMPED WITH CABLE INSULATION OUTER DIAMETER IN THE RANGE 3.0mm TO 5.0mm
5. MATES WITH: SRC 60+6AG POWER 2.5 RECEPTACLE HOUSING ASSEMBLY PART NUMBER 850846025 PER 850840700 PSD

QUALITY SYMBOLS ▽ = 0 ▽ = 0 ▽ = 0 ▽ = 0 ▽ = 0 ▽ = 0 ▽ = 0 ▽ = 0 ▽ = 0 ▽ = 0	THIS DRAWING CONTAINS INFORMATION THAT IS PROPRIETARY TO MOLEX ELECTRONIC TECHNOLOGIES, LLC AND SHOULD NOT BE USED WITHOUT WRITTEN PERMISSION											
	REPLACE SD-85083-300 EC NO: 102579 DRWN: AJOBRIEN CHK'D: SMCGREEVY APPR: JDWALLACE	2016/01/21	2016/01/22	2016/01/26	GENERAL TOLERANCES (UNLESS SPECIFIED)		DIMENSION UNITS	SCALE				
					ANGULAR TOL ± 0.5 °		MM	1:1				
					4 PLACES ±	DATE		AJOBRIEN 2016/01/21		SRC MALE 60+6AG ASSY/ 60+6AG WITH 2.5MM ²		
					3 PLACES ±	DATE		SMCGREEVY 2016/01/22				
					2 PLACES ± 0.2	DATE		JDWALLACE 2016/01/26				
				1 PLACE ± 0.5	DATE				PRODUCT CUSTOMER DRAWING			
				0 PLACES ±	DATE				SERIES	MATERIAL NUMBER	CUSTOMER	
				DRAFT WHERE APPLICABLE MUST REMAIN WITHIN DIMENSIONS		DRAWING SIZE	THIRD ANGLE PROJECTION	85083		SEE NOTES	GENERAL MARKET	
						A3		DOCUMENT NUMBER		DOC TYPE	DOC PART	SHEET NUMBER
							850830300		PSD	000	2 OF 2	