



Chipsmall Limited consists of a professional team with an average of over 10 year of expertise in the distribution of electronic components. Based in Hongkong, we have already established firm and mutual-benefit business relationships with customers from,Europe,America and south Asia,supplying obsolete and hard-to-find components to meet their specific needs.

With the principle of “Quality Parts,Customers Priority,Honest Operation,and Considerate Service”,our business mainly focus on the distribution of electronic components. Line cards we deal with include Microchip,ALPS,ROHM,Xilinx,Pulse,ON,Everlight and Freescale. Main products comprise IC,Modules,Potentiometer,IC Socket,Relay,Connector.Our parts cover such applications as commercial,industrial, and automotives areas.

We are looking forward to setting up business relationship with you and hope to provide you with the best service and solution. Let us make a better world for our industry!



## Contact us

Tel: +86-755-8981 8866 Fax: +86-755-8427 6832

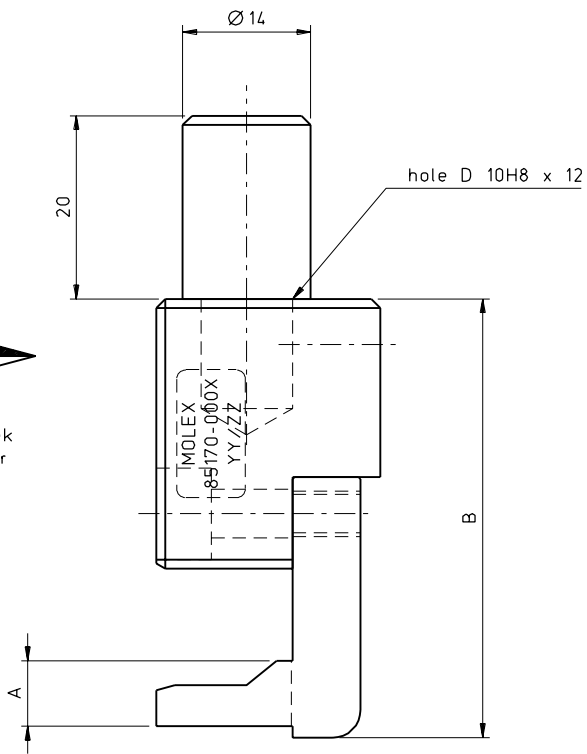
Email & Skype: info@chipsmall.com Web: www.chipsmall.com

Address: A1208, Overseas Decoration Building, #122 Zhenhua RD., Futian, Shenzhen, China

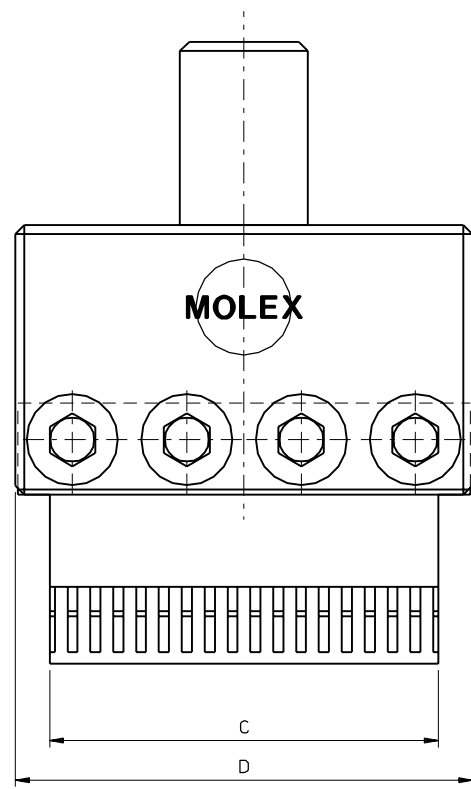


PART NO.  
DWG. NO.

YY = week  
ZZ = year



View Z



Mat. Nr.	Description	A	B	C	D
85170-0001	Press tool Vertical female 4SU/22	10.7	71.45	92.5	100
85170-0002	Press tool Vertical female 4SU/18.5	7.2	67.95	92.5	100
85170-0003	Press tool Vertical female 2SU/22	10.7	51.45	42.5	50
85170-0004	Press tool Vertical female 2SU/18.5	7.2	47.95	42.5	50
85170-0005	Press tool Vertical female 1SU/22	10.7	51.45	17.5	25
85170-0006	Press tool Vertical female 1SU/18.5	7.2	47.95	17.5	25

EC NO. 2502  
DRWN: T. Betz 4 / 6 2/97  
CHK: / / /  
APPR: / / /  
REV A

DESCRIPTION  
MAJOR  
CRITICAL  
C

QUALITY SYMBOLS  
GENERAL TOLERANCES: (UNLESS SPECIFIED)  
4 PLACES ±0. mm ±. INCH  
3 PLACES ±0. mm ±. INCH  
2 PLACES ±0. mm ±. INCH  
1 PLACE ±0. mm ±. INCH  
ANGULAR: ± 1/2 °  
DRAFT WHERE APPLICABLE MUST REMAIN WITHIN DIMENSIONS

SCALE 2:1  
DESIGN UNITS  mm  INCH  
DRAWN BY & DATE T.B. 4 / 10 / 95  
CHECKED BY & DATE / /  
APPROVED BY & DATE / /  
CAD FILENAME 85170001.S01

DIMENSIONS:  mm  INCH  mm ONLY  
THIRD ANGLE PROJECTION  
TITLE: Omnigridd Press Tool Vertical Female  
MOLEX INCORPORATED  
MATERIAL NO. see chart SD  
DRAWING NO. -85170-001  
SHEET NO. 10F 1  
THIS DRAWING CONTAINS INFORMATION THAT IS PROPRIETARY TO MOLEX INCORPORATED AND SHOULD NOT BE USED WITHOUT WRITTEN PERMISSION.  
SIZE B