



Chipsmall Limited consists of a professional team with an average of over 10 year of expertise in the distribution of electronic components. Based in Hongkong, we have already established firm and mutual-benefit business relationships with customers from,Europe,America and south Asia,supplying obsolete and hard-to-find components to meet their specific needs.

With the principle of “Quality Parts,Customers Priority,Honest Operation,and Considerate Service”,our business mainly focus on the distribution of electronic components. Line cards we deal with include Microchip,ALPS,ROHM,Xilinx,Pulse,ON,Everlight and Freescale. Main products comprise IC,Modules,Potentiometer,IC Socket,Relay,Connector.Our parts cover such applications as commercial,industrial, and automotives areas.

We are looking forward to setting up business relationship with you and hope to provide you with the best service and solution. Let us make a better world for our industry!



## Contact us

Tel: +86-755-8981 8866 Fax: +86-755-8427 6832

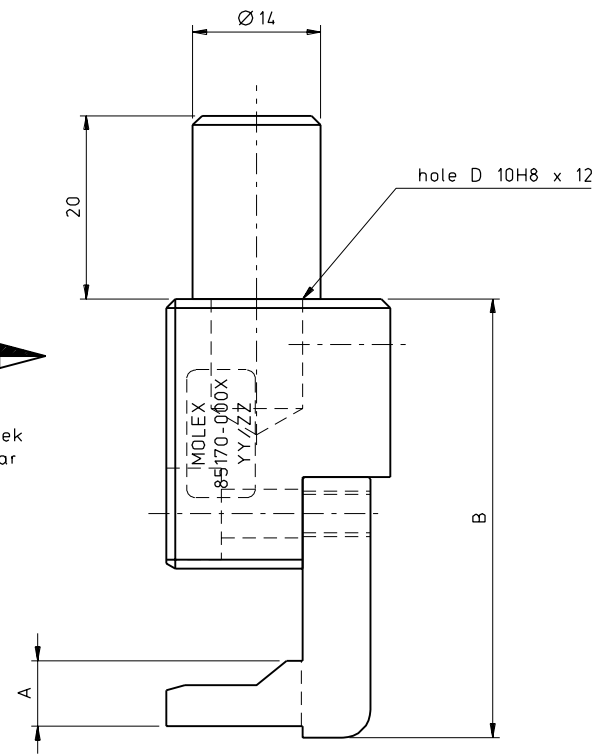
Email & Skype: info@chipsmall.com Web: www.chipsmall.com

Address: A1208, Overseas Decoration Building, #122 Zhenhua RD., Futian, Shenzhen, China

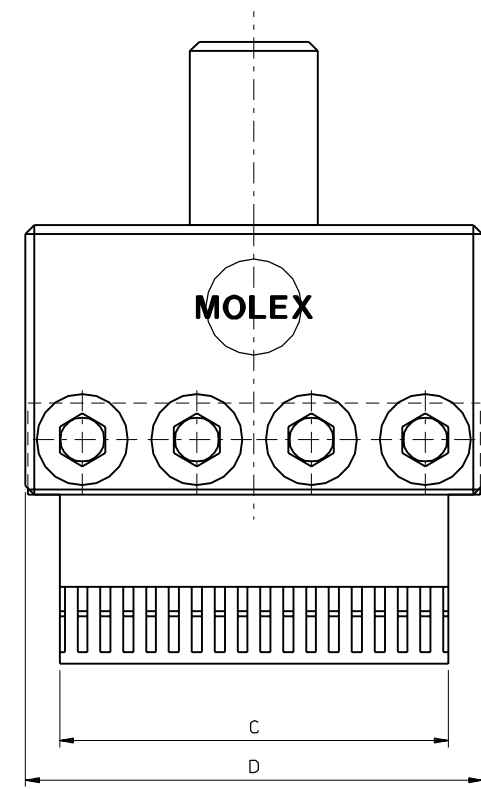


PART NO.  
DWG. NO.

YY = week  
ZZ = year



View Z



Mat. Nr.	Description	A	B	C	D
85170-0001	Press tool Vertical female 4SU/22	10.7	71.45	92.5	100
85170-0002	Press tool Vertical female 4SU/18.5	7.2	67.95	92.5	100
85170-0003	Press tool Vertical female 2SU/22	10.7	51.45	42.5	50
85170-0004	Press tool Vertical female 2SU/18.5	7.2	47.95	42.5	50
85170-0005	Press tool Vertical female 1SU/22	10.7	51.45	17.5	25
85170-0006	Press tool Vertical female 1SU/18.5	7.2	47.95	17.5	25

EC NO. 2502 DRWN: T. Betz 4 / 6 97 CHK: / / / APPR: / / /	DESCRIPTION MAJOR = CRITICAL = C =	QUALITY SYMBOLS		GENERAL TOLERANCES: (UNLESS SPECIFIED)		SCALE 2:1	DESIGN UNITS <input checked="" type="checkbox"/> mm <input type="checkbox"/> INCH	THIRD ANGLE PROJECTION	DIMENSIONS: <input type="checkbox"/> mm <input type="checkbox"/> INCH <input checked="" type="checkbox"/> mm ONLY		SHT	REV
		4 PLACES ±0. mm ±. INCH	DRAWN BY & DATE T.B. 4 / 10 / 95		TITLE: Omnigridd Press Tool Vertical Female							
		3 PLACES ±0. mm ±. INCH	CHECKED BY & DATE / /		MOLEX INCORPORATED							
		2 PLACES ±0. mm ±. INCH	APPROVED BY & DATE / /		MATERIAL NO. see chart SD -85170-001		DRAWING NO. 85170001.S01	SHEET NO. 10F 1				
1 PLACE ±0. mm ±. INCH	ANGULAR: ± 1/2 °		DRAFT WHERE APPLICABLE MUST REMAIN WITHIN DIMENSIONS		THIS DRAWING CONTAINS INFORMATION THAT IS PROPRIETARY TO MOLEX INCORPORATED AND SHOULD NOT BE USED WITHOUT WRITTEN PERMISSION.		SIZE B					