



Chipsmall Limited consists of a professional team with an average of over 10 year of expertise in the distribution of electronic components. Based in Hongkong, we have already established firm and mutual-benefit business relationships with customers from,Europe,America and south Asia,supplying obsolete and hard-to-find components to meet their specific needs.

With the principle of "Quality Parts,Customers Priority,Honest Operation,and Considerate Service",our business mainly focus on the distribution of electronic components. Line cards we deal with include Microchip,ALPS,ROHM,Xilinx,Pulse,ON,Everlight and Freescale. Main products comprise IC,Modules,Potentiometer,IC Socket,Relay,Connector.Our parts cover such applications as commercial,industrial, and automotives areas.

We are looking forward to setting up business relationship with you and hope to provide you with the best service and solution. Let us make a better world for our industry!



Contact us

Tel: +86-755-8981 8866 Fax: +86-755-8427 6832

Email & Skype: info@chipsmall.com Web: www.chipsmall.com

Address: A1208, Overseas Decoration Building, #122 Zhenhua RD., Futian, Shenzhen, China



Fuse Carriage with Handle for OGN, OGN-SMD

new



2.5W/10A



Description

- Better access to fuse-links on PCB's

Applications

- Printed circuit boards with tightly packed components. Colour coding allows for quick and safe replacement of fuses.

References

Mating adapter to [OGN](#); [OGN-SMD](#)

Weblinks

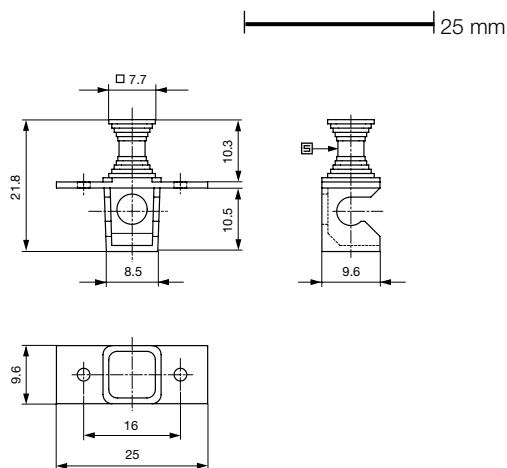
[pdf datasheet](#), [html-datasheet](#), [General Product Information](#), [Packaging details](#), [Approvals](#), [CE declaration of conformity](#), [RoHS](#), [CHINA-RoHS](#), [REACH](#), [Distributor-Stock-Check](#), [Detailed request for product](#)

Technical Data

Fuse-Link	5 x 20 mm	Contact Resistance	< mΩ at 20 mV
Rated Power Acceptance IEC	2.5W / 10A @ Ta 23 °C		
Admissible Ambient Air Temp.	-40 °C to 85 °C		
Material: Cover	Thermoplastic black / white UL 94V-0		
Storage Conditions	0 °C to 60 °C, max. 70% r.h.		

Detailed information on product approvals, code requirements, usage instructions and detailed test conditions can be looked up in [General Product Information](#)

Dimension



All Variants

Color	Order Number
black	0853.1201
white	0853.1202

Most Popular.

Color	Order Number
-------	--------------

Availability for all products can be searched real-time:<http://www.schurter.com/en/Stock-Check/Stock-Check-SCHURTER>

Packaging Unit	Bulk (100 pcs.)
-----------------------	-----------------
