



Chipsmall Limited consists of a professional team with an average of over 10 year of expertise in the distribution of electronic components. Based in Hongkong, we have already established firm and mutual-benefit business relationships with customers from,Europe,America and south Asia,supplying obsolete and hard-to-find components to meet their specific needs.

With the principle of "Quality Parts,Customers Priority,Honest Operation,and Considerate Service",our business mainly focus on the distribution of electronic components. Line cards we deal with include Microchip,ALPS,ROHM,Xilinx,Pulse,ON,Everlight and Freescale. Main products comprise IC,Modules,Potentiometer,IC Socket,Relay,Connector.Our parts cover such applications as commercial,industrial, and automotives areas.

We are looking forward to setting up business relationship with you and hope to provide you with the best service and solution. Let us make a better world for our industry!



## Contact us

Tel: +86-755-8981 8866 Fax: +86-755-8427 6832

Email & Skype: info@chipsmall.com Web: www.chipsmall.com

Address: A1208, Overseas Decoration Building, #122 Zhenhua RD., Futian, Shenzhen, China



MATERIAL AND FINISHES:

SEE SD-85305-0232

P/N: 73415-6180: THIS IS P/N: 85305-0232 PLACED IN A SINGLE BAG  
73415-6181: THIS IS P/N: 85305-0232 PLACED IN TAPE AND REEL WITH KAPTON TAPE

CHG: ADDED-6181	EC NO: URF2010-0353	2009/12/15
	DRWN: JLEE02	2009/12/15
A1	CHKD: SSS	2009/12/15
	APPR: WIENER	2009/12/15
REV	DESCRIPTION	

QUALITY SYMBOLS
▼=0
▽=0

GENERAL TOLERANCES (UNLESS SPECIFIED)
mm INCH
4 PLACES ± --- ± ---
3 PLACES ± --- ± ---
2 PLACES ± --- ± ---
1 PLACE ± --- ± ---
ANGULAR ± 2 °
DRAFT WHERE APPLICABLE MUST REMAIN WITHIN DIMENSIONS

DIMENSION STYLE	
MM/IN	
DRAWN BY	DATE
SSS	2007/05/11
CHECKED BY	DATE
AZR	2007/05/11
APPROVED BY	DATE
JDW	2007/05/11
MATERIAL NO.	
734156180	
SIZE	
C	

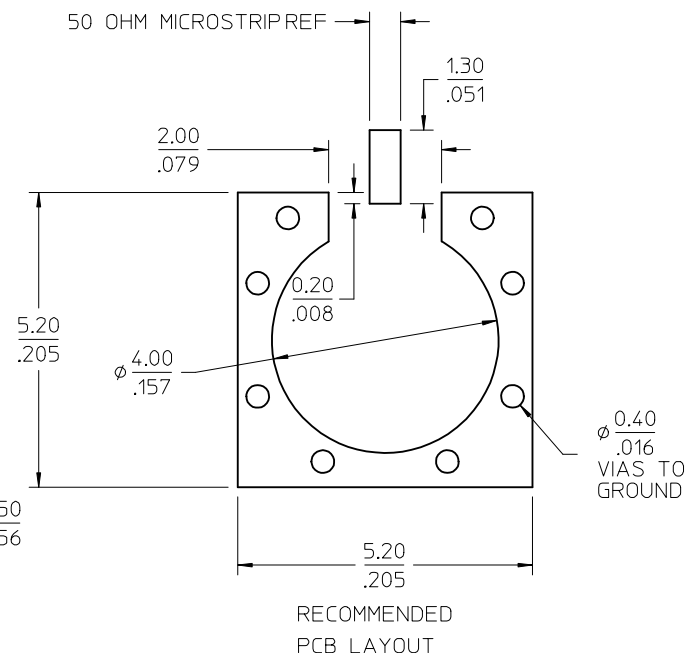
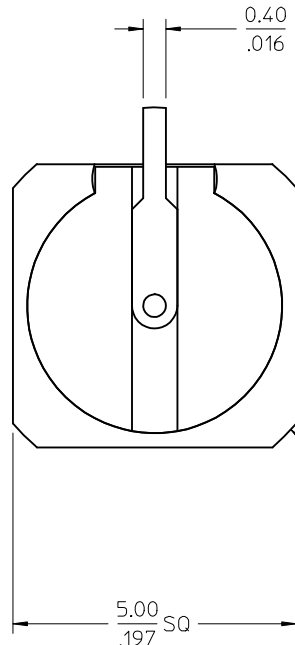
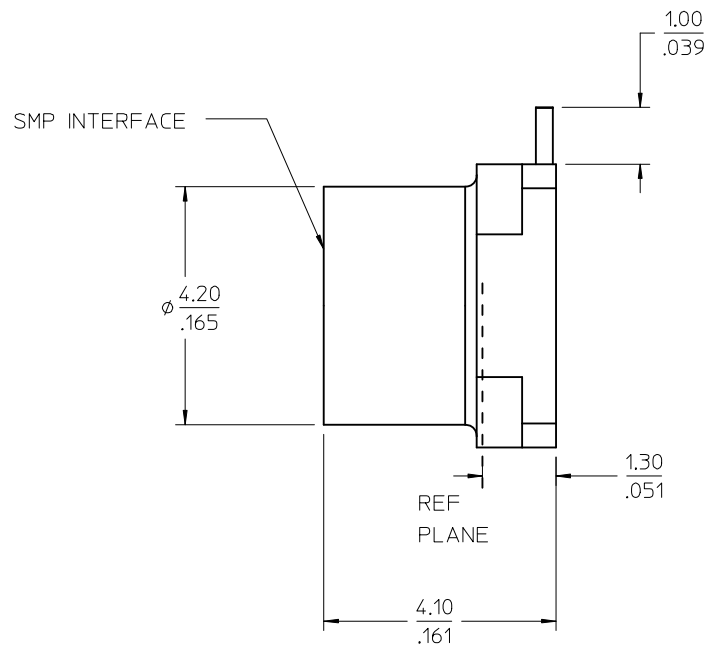
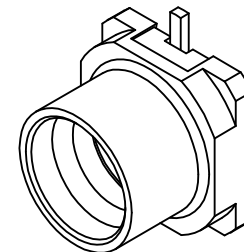
SCALE	DESIGN UNITS	THIRD ANGLE PROJECTION
	METRIC	
TITLE		
SMP, PLUG SMT LIMITED DETENT SMP-P/PCB		
MOLEX INCORPORATED		
DOCUMENT NO.	SHEET NO.	
SD-73415-618	1 OF 1	
THIS DRAWING CONTAINS INFORMATION THAT IS PROPRIETARY TO MOLEX INCORPORATED AND SHOULD NOT BE USED WITHOUT WRITTEN PERMISSION		

MATERIALS AND FINISHES

BODY, CONTACT: BRASS  
 PLATED GOLD (30u")  
 OVER NICKEL (100u")

INSULATOR: LCP  
 UL FLAMMABILITY RATING 94 V-0

TAPE: SHEET 2  
 REEL: SHEET 3



MIL-STD-348A, FIG. 326.3	INTERFACE
SPECIFICATION	DESCRIPTION

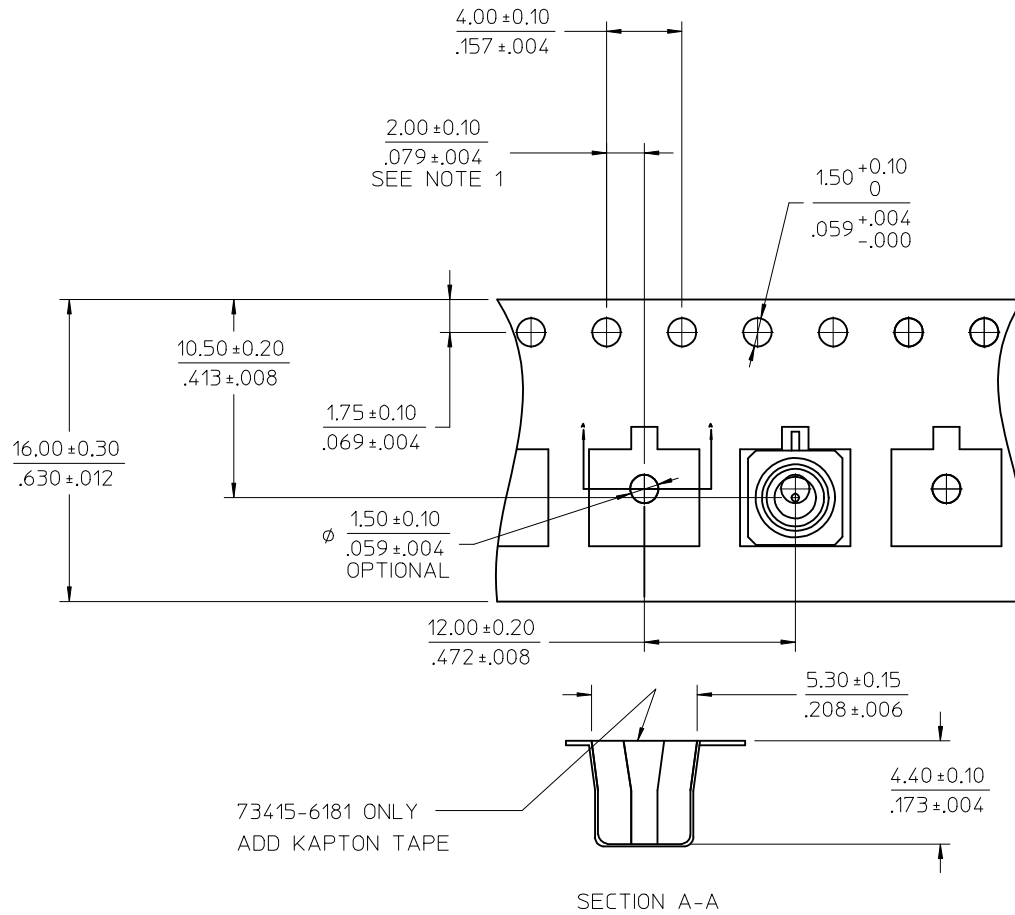
73415-6181	TAPE AND REEL WITH KAPTON TAPE
73415-6180	85305-0232, ONE PER BAG
85305-0232	TAPE AND REEL
PART NO.	PACKAGING

CHG: MATERIAL WAS PEEK OR LCP	EC NO: URF2013-0558	2013/04/08
DRWN: JWIENER	CHKD: SSS	2013/04/08
APPR: JWIENER	DATE: 2013/04/15	
REV: B8	DESCRIPTION	

QUALITY SYMBOLS	▽=0
	▽=0
GENERAL TOLERANCES (UNLESS SPECIFIED)	
4 PLACES ±	mm INCH
3 PLACES ±	mm INCH
2 PLACES ±	mm INCH
1 PLACE ±	mm INCH
ANGULAR ±	2°
DRAFT WHERE APPLICABLE	MUST REMAIN WITHIN DIMENSIONS

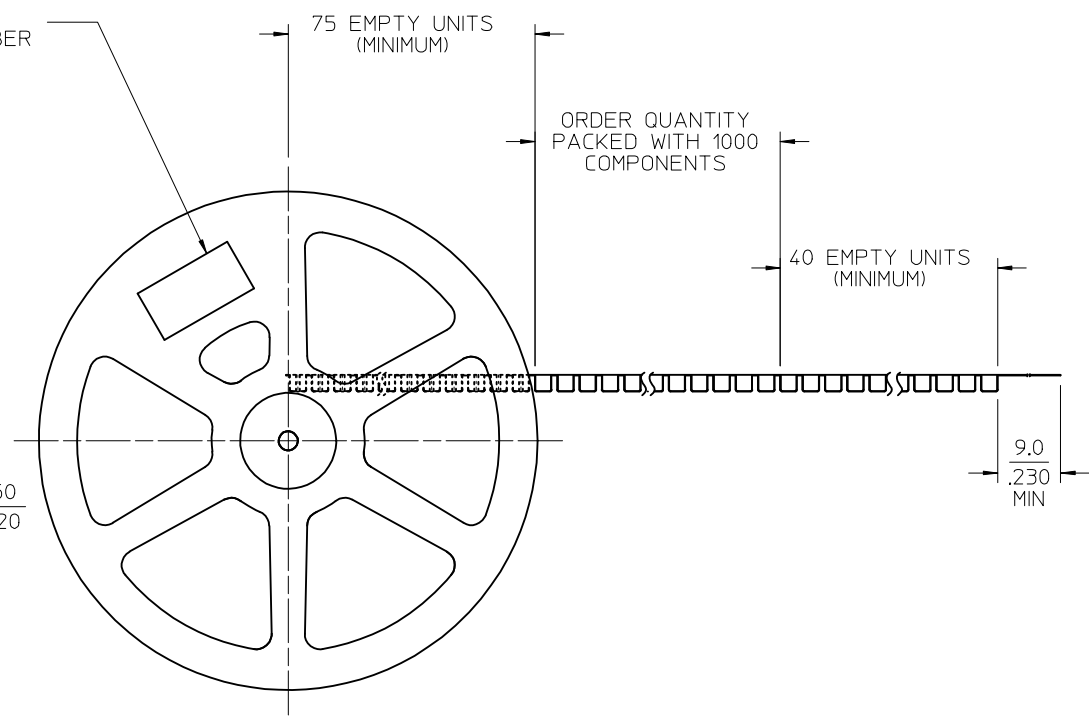
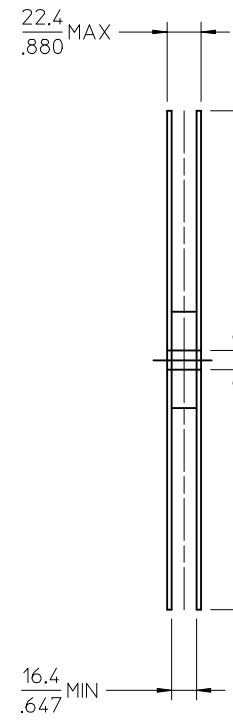
DIMENSION STYLE	MM/IN	SCALE	DESIGN UNITS	THIRD ANGLE PROJECTION
DRAWN BY	LMB	DATE	2005/07/29	TITLE
CHECKED BY	GMH	DATE	2005/07/29	SMP, PLUG SMT LIMITED DETENT SMP-P/PCB
APPROVED BY	GMH	DATE	2005/07/29	MATERIAL NO. SEE TABLE
MOLEX INCORPORATED			DOCUMENT NO. SD-85305-0232	SHEET NO. 1 OF 3
THIS DRAWING CONTAINS INFORMATION THAT IS PROPRIETARY TO MOLEX INCORPORATED AND SHOULD NOT BE USED WITHOUT WRITTEN PERMISSION				

NOTE:  
1. 10 PITCHES CUMULATIVE TOLERANCE ±0.20(.008)



CHG: ADDED KAPTON TAPE	EC NO: URF2013-0558	QUALITY SYMBOLS	GENERAL TOLERANCES (UNLESS SPECIFIED)	DIMENSION STYLE MM/IN	SCALE	DESIGN UNITS METRIC	THIRD ANGLE PROJECTION	
	2013/04/08	DRWN:JWIENER			2013/04/08			TITLE
B8	CHKD:SSS	APPR:JWIENER	2013/04/15	DESCRIPTION	4 PLACES ± --- ± ---	DRAWN BY	DATE	SMP, PLUG SMT LIMITED DETENT SMP-P/PCB
					3 PLACES ± --- ± ---	LMB	2005/07/29	
					2 PLACES ± --- ± ---	CHECKED BY	DATE	MOLEX INCORPORATED
					1 PLACE ± --- ± ---	GMH	2005/07/29	
					ANGULAR ± 2 °	APPROVED BY	DATE	SD-85305-0232
						GMH	2005/07/29	
						MATERIAL NO.	DOCUMENT NO.	SHEET NO.
						SEE SHEET 1	SD-85305-0232	2 OF 3
						THIS DRAWING CONTAINS INFORMATION THAT IS PROPRIETARY TO MOLEX INCORPORATED AND SHOULD NOT BE USED WITHOUT WRITTEN PERMISSION		

LABEL:  
 - ORDER NO.  
 - QUANTITY  
 - PART NUMBER  
 - LOT NO.



CHG: SEE SHEET 1 EC NO: URF2013-0558 DRWN: JWIENER 2013/04/08 CHKD: SSS 2013/04/08 APPR: JWIENER 2013/04/15	QUALITY SYMBOLS ▽=0 ▽=0	GENERAL TOLERANCES (UNLESS SPECIFIED)		DIMENSION STYLE MM/IN		SCALE	DESIGN UNITS METRIC	THIRD ANGLE PROJECTION			
		4 PLACES ± --- ± ---	3 PLACES ± --- ± ---	2 PLACES ± --- ± ---	1 PLACE ± --- ± ---	DRAWN BY LMB	DATE 2005/07/29	TITLE SMP, PLUG SMT LIMITED DETENT SMP-P/PCB			
		ANGULAR ± 2 °				CHECKED BY GMH	DATE 2005/07/29	MOLEX INCORPORATED			
		DRAFT WHERE APPLICABLE MUST REMAIN WITHIN DIMENSIONS				APPROVED BY GMH	DATE 2005/07/29	MATERIAL NO. SEE SHEET 1	DOCUMENT NO. SD-85305-0232	SHEET NO. 3 OF 3	