



Chipsmall Limited consists of a professional team with an average of over 10 year of expertise in the distribution of electronic components. Based in Hongkong, we have already established firm and mutual-benefit business relationships with customers from,Europe,America and south Asia,supplying obsolete and hard-to-find components to meet their specific needs.

With the principle of "Quality Parts,Customers Priority,Honest Operation,and Considerate Service",our business mainly focus on the distribution of electronic components. Line cards we deal with include Microchip,ALPS,ROHM,Xilinx,Pulse,ON,Everlight and Freescale. Main products comprise IC,Modules,Potentiometer,IC Socket,Relay,Connector.Our parts cover such applications as commercial,industrial, and automotives areas.

We are looking forward to setting up business relationship with you and hope to provide you with the best service and solution. Let us make a better world for our industry!



Contact us

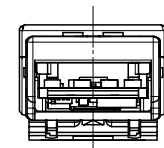
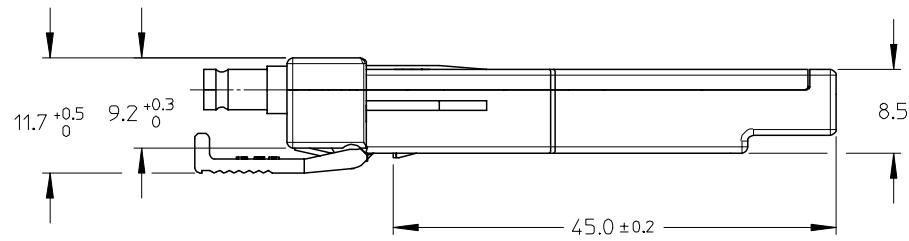
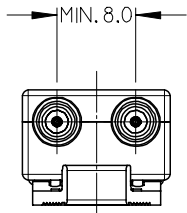
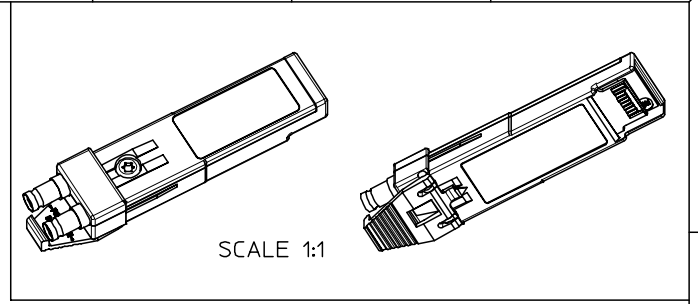
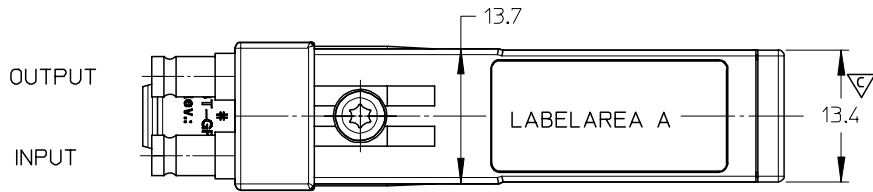
Tel: +86-755-8981 8866 Fax: +86-755-8427 6832

Email & Skype: info@chipsmall.com Web: www.chipsmall.com

Address: A1208, Overseas Decoration Building, #122 Zhenhua RD., Futian, Shenzhen, China



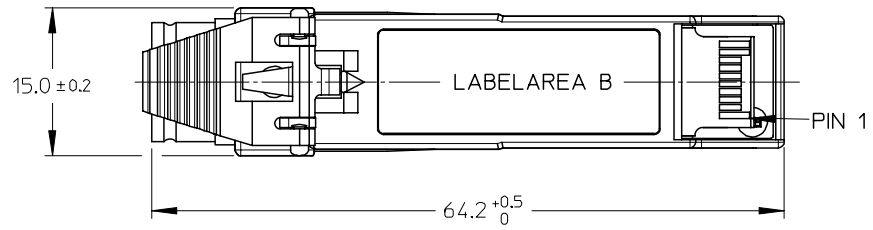
10 9 8 7 6 5 4 3 2 1



MODULE REVISION: R 03

NOTES:

- 1- MATERIAL:
HOUSING: ZINC DIECAST,
PLATING: NICKEL
LATCH: PBT, BLACK
- 2- FOR MORE DETAILS REFER TO PS-85388-001 AND SFP MSA
- 3- LABEL TEXT:
LABEL AREA A: SFP-COAX STM1e
ADAPTER MODULE
P/N: 85388-0100
SERIAL: MOLXDE0105030001
- 4- LABEL AREA B: OPTIONAL
- 5- PACKAGING: REFER TO SHEET 3
- 6- MATERIAL COMPLIANT TO ROHS DIRECTIVE 2002/95/EC



| | | | | | | | | | | | |
|---|----------------------|---|---------------------------------------|-----------------------|--|--|--|------------------------|------------------------------|---------------------|--|
| EC NO: MG2007-0018 2006/07/25 DRWNER:EROEZE 2006/07/25 CHKDR:RSILLER 2006/08/02 APPR: TREMHOF | REV DESCRIPTION 4 | QUALITY SYMBOLS $\nabla=0$ $\nabla=1$ | GENERAL TOLERANCES (UNLESS SPECIFIED) | | DIMENSION STYLE MM ONLY | | SCALE 2:1 | DESIGN UNITS METRIC | THIRD ANGLE PROJECTION | | |
| | | | | 4 PLACES ± --- ± --- | DRAWN BY DATE EROEZE 2004/07/21 | | TITLE SFP-COAX STM1E ADAPTER (GENERIC) ASSEMBLY | | | | |
| | | | | 3 PLACES ± --- ± --- | CHECKED BY DATE RSILLER 2004/07/21 | | | | | | |
| | | | | 2 PLACES ± 0.05 ± --- | APPROVED BY DATE TREMHOF 2004/07/21 | | MATERIAL NO. 85388-0100 | | DOCUMENT NO. SD-85388-100 | SHEET NO. 1 OF 3 | |
| | | 1 PLACE ± 0.10 ± --- | ANGULAR ± .5 ° | | DRAFT WHERE APPLICABLE MUST REMAIN WITHIN DIMENSIONS | | MATERIAL NO. 85388-0100 | | | | |

9 8 7 6 5 4 3 2 1

EEPROM DEFINITION OF EEPROM FOR SFP-COAX STM1e ADAPTER (GENERIC)

| Data Address | Name of Field | Value (HEX) | CHAR | Value (DEC) |
|--------------|--------------------|-------------|---------|-------------|
| 00 | Identifier | 03 | | 3 |
| 01 | Ext. Identifier | 04 | | 4 |
| 02 | Connector | 81 | | 129 |
| 03 | Transceiver | 81 | | 129 |
| 04 | Transceiver | 00 | | 0 |
| 05 | Transceiver | 00 | | 0 |
| 06 | Transceiver | 00 | | 0 |
| 07 | Transceiver | 00 | | 0 |
| 08 | Transceiver | 00 | | 0 |
| 09 | Transceiver | 00 | | 0 |
| 10 | Transceiver | 00 | | 0 |
| 11 | Encoding | 00 | | 0 |
| 12 | BR, Nominal | 02 | | 2 |
| 13 | Reserved | 00 | | 0 |
| 14 | Length (9 μm) - km | 00 | | 0 |
| 15 | Length (9 μm) | 00 | | 0 |
| 16 | Length (50 μm) | 00 | | 0 |
| 17 | Length (62.5 μm) | 00 | | 0 |
| 18 | Length (Copper) | 00 | | 0 |
| 19 | Reserved | 00 | | 0 |
| 20 | Vendor Name | 4D | M | 77 |
| 21 | Vendor Name | 4F | 0 | 79 |
| 22 | Vendor Name | 4C | L | 76 |
| 23 | Vendor Name | 45 | E | 69 |
| 24 | Vendor Name | 58 | X | 88 |
| 25 | Vendor Name | 20 | (Space) | 32 |
| 26 | Vendor Name | 47 | G | 71 |
| 27 | Vendor Name | 6D | m | 109 |
| 28 | Vendor Name | 62 | b | 98 |
| 29 | Vendor Name | 48 | H | 72 |
| 30 | Vendor Name | 20 | (Space) | 32 |
| 31 | Vendor Name | 20 | (Space) | 32 |
| 32 | Vendor Name | 20 | (Space) | 32 |
| 33 | Vendor Name | 20 | (Space) | 32 |
| 34 | Vendor Name | 20 | (Space) | 32 |
| 35 | Vendor Name | 20 | (Space) | 32 |
| 36 | Reserved | 00 | | 0 |
| 37 | Vendor OUI | 00 | (MFO) | 0 |
| 38 | Vendor OUI | 09 | (MFO) | 9 |
| 39 | Vendor OUI | 3A | (MFO) | 58 |
| 40 | Vendor PN | 38 | 8 | 56 |
| 41 | Vendor PN | 35 | 5 | 53 |
| 42 | Vendor PN | 33 | 3 | 51 |

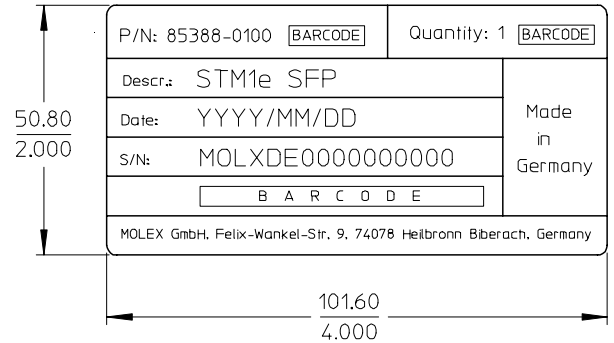
| Data Address | Name of Field | Value (HEX) | CHAR | Value (DEC) |
|--------------|---------------|-------------|---------|-------------|
| 43 | Vendor PN | 38 | 8 | 56 |
| 44 | Vendor PN | 38 | 8 | 56 |
| 45 | Vendor PN | 2D | - | 45 |
| 46 | Vendor PN | 30 | 0 | 48 |
| 47 | Vendor PN | 31 | 1 | 49 |
| 48 | Vendor PN | 30 | 0 | 48 |
| 49 | Vendor PN | 30 | 0 | 48 |
| 50 | Vendor PN | 20 | (Space) | 32 |
| 51 | Vendor PN | 20 | (Space) | 32 |
| 52 | Vendor PN | 20 | (Space) | 32 |
| 53 | Vendor PN | 20 | (Space) | 32 |
| 54 | Vendor PN | 20 | (Space) | 32 |
| 55 | Vendor PN | 20 | (Space) | 32 |
| 56 | Vendor rev | 52 | R | 82 |
| 57 | Vendor rev | 30 | 0 | 48 |
| 58 | Vendor rev | 33 | 3 | 51 |
| 59 | Vendor rev | 20 | (Space) | 32 |
| 60 | Wavelength | 00 | | 0 |
| 61 | Wavelength | 00 | | 0 |
| 62 | Reserved | 00 | | 0 |
| 63 | CC_BASE | A4 | | 2212 |
| 64 | Options | 00 | | 0 |
| 65 | Options | 00 | | 0 |
| 66 | BR, max | 00 | | 0 |
| 67 | BR, min | 00 | | 0 |
| 68 | Vendor SN | 00 | M | 0 |
| 69 | Vendor SN | 00 | 0 | 0 |
| 70 | Vendor SN | 00 | L | 0 |
| 71 | Vendor SN | 00 | X | 0 |
| 72 | Vendor SN | 00 | D | 0 |
| 73 | Vendor SN | 00 | E | 0 |
| 74 | Vendor SN | 31 | 1 | 49 |
| 75 | Vendor SN | 31 | 1 | 49 |
| 76 | Vendor SN | 30 | 0 | 48 |
| 77 | Vendor SN | 34 | 4 | 52 |
| 78 | Vendor SN | 30 | 0 | 48 |
| 79 | Vendor SN | 33 | 3 | 51 |
| 80 | Vendor SN | 30 | 0 | 48 |
| 81 | Vendor SN | 30 | 0 | 48 |
| 82 | Vendor SN | 30 | 0 | 48 |
| 83 | Vendor SN | 31 | 1 | 49 |
| 84 | Date code | 30 | 0 | 48 |
| 85 | Date code | 34 | 4 | 52 |

| Data Address | Name of Field | Value (HEX) | CHAR | Value (DEC) |
|--------------|-----------------------|-------------|------|-------------|
| 86 | Date code | 31 | 1 | 49 |
| 87 | Date code | 31 | 1 | 49 |
| 88 | Date code | 31 | 1 | 49 |
| 89 | Date code | 38 | 8 | 56 |
| 90 | Date code | 54 | T | 84 |
| 91 | Date code | 52 | R | 82 |
| 92 | Diagn. Mon. Type | 00 | | 0 |
| 93 | Enhanced options | 00 | | 0 |
| 94 | SFF - 8472 Compliance | 00 | | 0 |
| 95 | CC-EXT | BF | | 959 |
| 96 | Customer Specific | 00 | | 0 |
| 97 | Customer Specific | 00 | | 0 |
| 98 | Customer Specific | 00 | | 0 |
| 99 | Customer Specific | 00 | | 0 |
| 100 | Customer Specific | 00 | | 0 |
| 101 | Customer Specific | 00 | | 0 |
| 102 | Customer Specific | 00 | | 0 |
| 103 | Customer Specific | 00 | | 0 |
| 104 | Customer Specific | 00 | | 0 |
| 105 | Customer Specific | 00 | | 0 |
| 106 | Customer Specific | 00 | | 0 |
| 107 | Customer Specific | 00 | | 0 |
| 108 | Customer Specific | 00 | | 0 |
| 109 | Customer Specific | 00 | | 0 |
| 110 | Customer Specific | 00 | | 0 |
| 111 | Customer Specific | 00 | | 0 |
| 112 | Customer Specific | 00 | | 0 |
| 113 | Customer Specific | 00 | | 0 |
| 114 | Customer Specific | 00 | | 0 |
| 115 | Customer Specific | 00 | | 0 |
| 116 | Customer Specific | 00 | | 0 |
| 117 | Customer Specific | 00 | | 0 |
| 118 | Customer Specific | 00 | | 0 |
| 119 | Customer Specific | 00 | | 0 |
| 120 | Customer Specific | 00 | | 0 |
| 121 | Customer Specific | 00 | | 0 |
| 122 | Customer Specific | 00 | | 0 |
| 123 | Customer Specific | 00 | | 0 |
| 124 | Customer Specific | 00 | | 0 |
| 125 | Customer Specific | 00 | | 0 |
| 126 | Customer Specific | 00 | | 0 |
| 127 | Customer Specific | 00 | | 0 |

NOTES:
 1- VENDOR SN AND DATE CODE (68 - 91)
 VARIES WITH EACH UNIT
 2- CHECKSUM CC-EXT (95) VARIES WITH EACH UNIT

| | | | | | | | | | | |
|--|-------------------------------|---|--|------------------------------|------|-----------------------|------------------------|--|--|--|
| EC NO: MG2007-0018 DRWNEROEZDE 2006/07/25 CHKDRSILLER 2006/07/25 APPR: TREMHOF 2006/08/02 | QUALITY SYMBOLS ▽=0 ▽=0 | GENERAL TOLERANCES (UNLESS SPECIFIED) | | DIMENSION STYLE MM ONLY | | SCALE 1:1 | DESIGN UNITS METRIC | THIRD ANGLE PROJECTION | | |
| | | | | mm | INCH | DRAWN BY EROEZDE | | TITLE SFP-COAX STM1E ADAPTER (GENERIC) ASSEMBLY | | |
| | | 4 PLACES ± --- | | ± --- | | DATE 2004/07/21 | | MOLEX INCORPORATED SD-85388-100 | | |
| | | 3 PLACES ± --- | | ± --- | | CHECKED BY RSILLER | | | | |
| 2 PLACES ± 0.05 | | ± --- | | DATE 2004/07/21 | | SHEET NO. 2 OF 3 | | | | |
| 1 PLACE ± 0.10 | | ± --- | | APPROVED BY TREMHOF | | | | | | |
| ANGULAR ± .5 ° | | | | DATE 2004/07/21 | | | | | | |
| DRAFT WHERE APPLICABLE MUST REMAIN WITHIN DIMENSIONS | | MATERIAL NO. SEE SHT. 1 | | DOCUMENT NO. SD-85388-100 | | | | | | |
| SIZE A3 | | THIS DRAWING CONTAINS INFORMATION THAT IS PROPRIETARY TO MOLEX INCORPORATED AND SHOULD NOT BE USED WITHOUT WRITTEN PERMISSION | | | | | | | | |

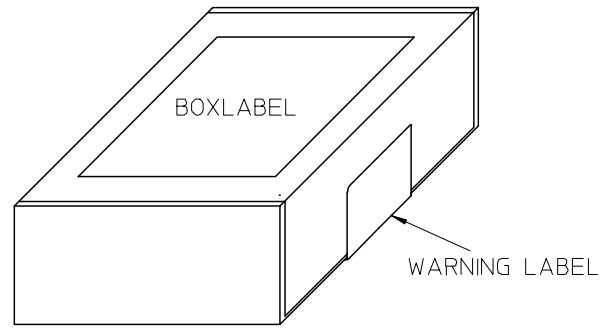
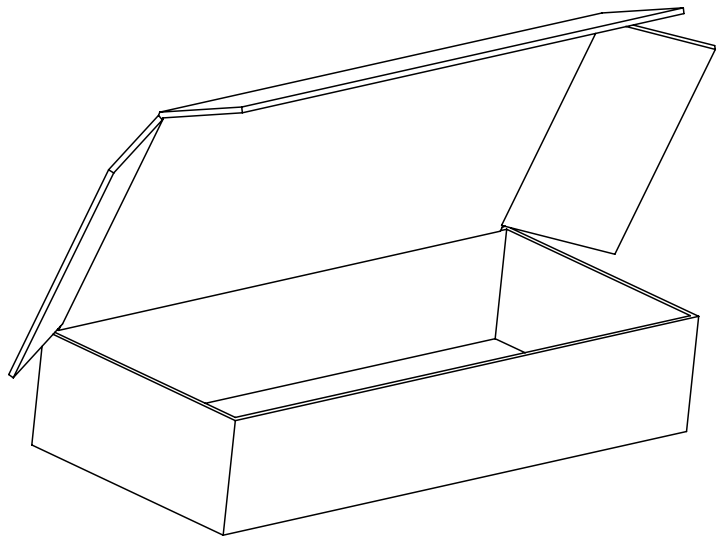
BOXLABEL



BOXLABEL NOTES:

- 1- USE CODE 128 FOR ALL LINEAR BARCODES
- 2- TEXT COLOR: BLACK
- 3- FONT: ANY SANS-SERIF FONT (EG. ARIAL)
- 4- SMALL FONT HEIGHT: 8
- 5- LARGE FONT HEIGHT: 13

| POS NO | DESCRIPTION | PIECES |
|--------|---|--------|
| 1 | SFP COAX STM1E ADAPTER | 1 |
| 2 | BAG ANTISTATIC 76x127 mm | 1 |
| 3 | WARNING LABEL ESD | 2 |
| 4 | BOXLABEL 101,6x50,8 mm | 1 |
| 5 | FOAM INLET ANTISTATIC (SET), PINK, 114x54x25 mm | 1 |
| 6 | CARTON 114x54x24 mm | 1 |
| 7 | SHIPPING CARTON 176x173x176 mm | 1/16 |



NOTES:

- 1- PLACE MODUL INTO ANTISTATIC BAG
- 2- SEAL BAG WITH WARNING LABEL
- 3- PLACE BAG BETWEEN FOAM INTO BOX
- 4- SEAL BOX WITH WARNING LABEL
- 5- PLACE BOX LABEL ON BOX
- 6- PLACE 16 BOXES INTO SHIPPING CARTON

| | | | | | | |
|---|-----------------|---|---|---|--------------|------------------------|
| EC NO: MG2007-0018 DRWNER: EROEZDE 2006/07/25 CHKDR: RSILLER 2006/07/25 APPR: TREMHOF 2006/08/02 | QUALITY SYMBOLS | GENERAL TOLERANCES (UNLESS SPECIFIED) | DIMENSION STYLE | SCALE | DESIGN UNITS | THIRD ANGLE PROJECTION |
| | ▼=0 ◻=0 | mm INCH 4 PLACES ± --- ± --- 3 PLACES ± --- ± --- 2 PLACES ± 0.05 ± --- 1 PLACE ± 0.10 ± --- ANGULAR ± .5 ° | MM ONLY | 1:1 | METRIC | |
| | DESCRIPTION | DRAWN BY | DATE | TITLE | | |
| | REV | EROEZDE | 2004/07/21 | SFP-COAX STM1E ADAPTER (GENERIC) ASSEMBLY | | |
| 4 | TREMHOF | 2004/07/21 | MOLEX INCORPORATED | | | |
| | | | MATERIAL NO. | DOCUMENT NO. | SHEET NO. | |
| | | | SEE SHT. 1 | SD-85388-100 | 3 OF 3 | |
| | | | THIS DRAWING CONTAINS INFORMATION THAT IS PROPRIETARY TO MOLEX INCORPORATED AND SHOULD NOT BE USED WITHOUT WRITTEN PERMISSION | | | |