



Chipsmall Limited consists of a professional team with an average of over 10 year of expertise in the distribution of electronic components. Based in Hongkong, we have already established firm and mutual-benefit business relationships with customers from,Europe,America and south Asia,supplying obsolete and hard-to-find components to meet their specific needs.

With the principle of “Quality Parts,Customers Priority,Honest Operation,and Considerate Service”,our business mainly focus on the distribution of electronic components. Line cards we deal with include Microchip,ALPS,ROHM,Xilinx,Pulse,ON,Everlight and Freescale. Main products comprise IC,Modules,Potentiometer,IC Socket,Relay,Connector.Our parts cover such applications as commercial,industrial, and automotives areas.

We are looking forward to setting up business relationship with you and hope to provide you with the best service and solution. Let us make a better world for our industry!



Contact us

Tel: +86-755-8981 8866 Fax: +86-755-8427 6832

Email & Skype: info@chipsmall.com Web: www.chipsmall.com

Address: A1208, Overseas Decoration Building, #122 Zhenhua RD., Futian, Shenzhen, China



TECHNICAL SPECIFICATIONS:

I- MATERIAL :

HOUSING: LCP GLASS FILLED UL 94V0 COLOR BLACK

TERMINAL : PHOSPHOR BRONZE PLATED WITH:

BASE FINISH: NICKEL.

CONTACT SURFACE FINISH:

GOLD,

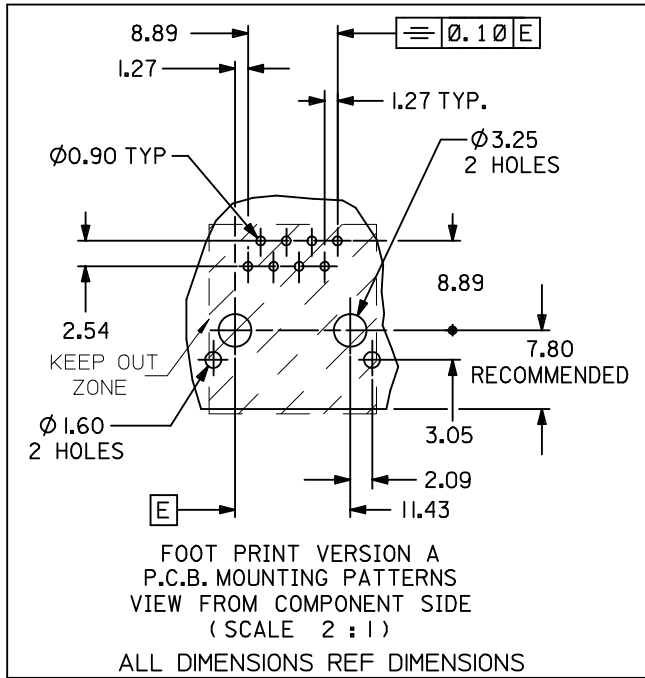
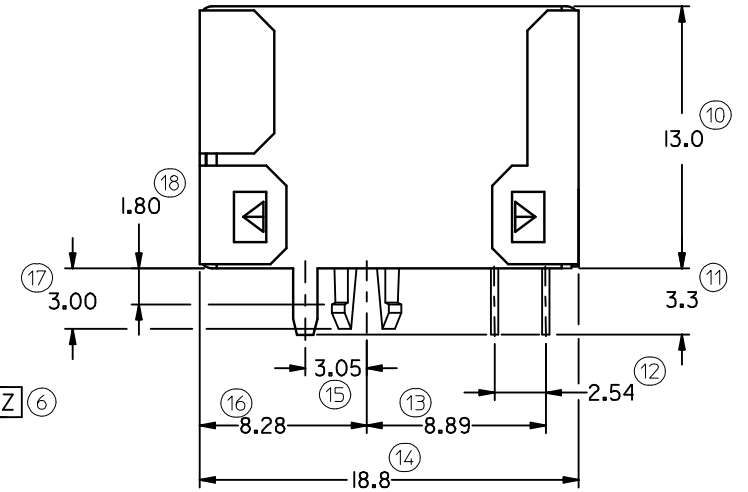
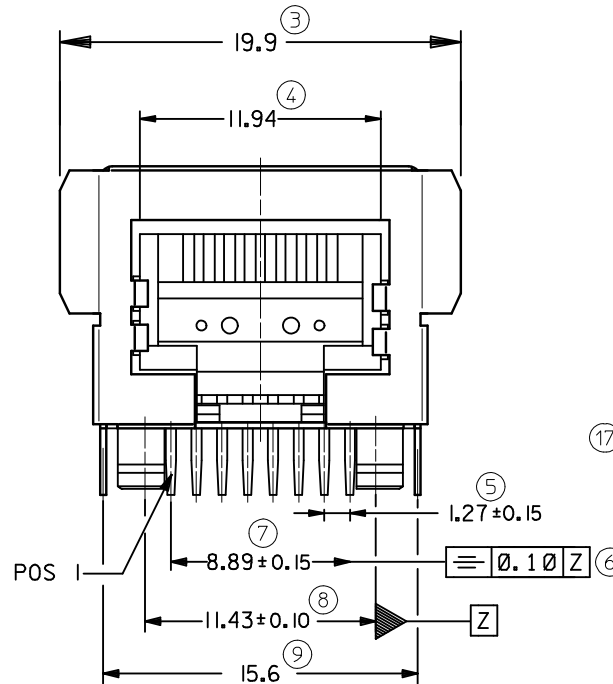
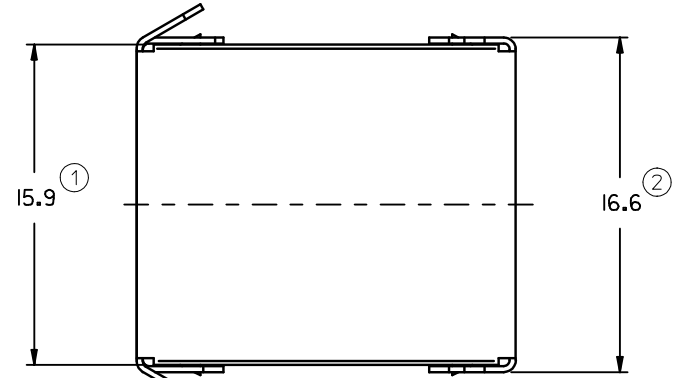
OR

GOLD FLASH OVER PALLADIUM NICKEL.

EXCEEDS PRODUCT REQUIREMENTS BASED ON PS-85543-002

SHIELD : BRASS PLATED WITH TIN

ENG.N.	FOOTPRINT VERSION	HOUSING SIZE	LOADED CKTS	TOOLED	PACKAGING SPEC. NOTE4
85505-5002	A	8	8	YES	PK-95122 SHEET 2



NOTES:

- 1- JACK FOR MATING WITH SHIELDED PLUG MOLEX 95043 AND 85568 SERIES.
 - 2- PRODUCT SPECIFICATION: MOLEX PS-85543-002
 - 3- APPLICATION SPECIFICATION: MOLEX AS-85513-001
 - 4- PACKAGING SPECIFICATION: MOLEX PK-95122 SEE CHART
 - 5- P.C. BOARD THICKNESS : 1.57
 - 6- EXCEEDS CATEGORY 5E PERFORMANCE.
- LAST INSPECTION NO.: 18

CHANGED PRODUCT SPECIFICATION EC NO: IPG2013-1149 REV	DESCRIPTION	QUALITY SYMBOLS	GENERAL TOLERANCES (UNLESS SPECIFIED)		DIMENSION STYLE		SCALE	DESIGN UNITS	THIRD ANGLE PROJECTION	
			mm	INCH	MM ONLY	4:1	METRIC	⊕ ▽		
DRW:DBYRMS 2013/02/13		▽=0	4 PLACES	± ---	± ---	DRAWN BY	DATE	TITLE		
CHKD:MSHANAHAN 2013/02/14		▽=0	3 PLACES	± ---	± ---	CHECKED BY	DATE	HIGH SPEED MODULAR JACK R/A FULLY SHIELDED THROUGH HOLE - VERSION A		
APPR:STGRIFFIN 2013/02/26			2 PLACES	± 0.25	± ---	APPROVED BY	DATE	MOLEX INCORPORATED		
			1 PLACE	± 0.35	± ---	KNOLLER	2005/03/07	DOCUMENT NO.		
			ANGULAR ± 2 °			MATERIAL NO.		SHEET NO.		
			DRAFT WHERE APPLICABLE MUST REMAIN WITHIN DIMENSIONS			SEE CHART		SD-85505-103		
					SIZE	THIS DRAWING CONTAINS INFORMATION THAT IS PROPRIETARY TO MOLEX INCORPORATED AND SHOULD NOT BE USED WITHOUT WRITTEN PERMISSION				