



Chipsmall Limited consists of a professional team with an average of over 10 year of expertise in the distribution of electronic components. Based in Hongkong, we have already established firm and mutual-benefit business relationships with customers from,Europe,America and south Asia,supplying obsolete and hard-to-find components to meet their specific needs.

With the principle of “Quality Parts,Customers Priority,Honest Operation,and Considerate Service”,our business mainly focus on the distribution of electronic components. Line cards we deal with include Microchip,ALPS,ROHM,Xilinx,Pulse,ON,Everlight and Freescale. Main products comprise IC,Modules,Potentiometer,IC Socket,Relay,Connector.Our parts cover such applications as commercial,industrial, and automotives areas.

We are looking forward to setting up business relationship with you and hope to provide you with the best service and solution. Let us make a better world for our industry!



Contact us

Tel: +86-755-8981 8866 Fax: +86-755-8427 6832

Email & Skype: info@chipsmall.com Web: www.chipsmall.com

Address: A1208, Overseas Decoration Building, #122 Zhenhua RD., Futian, Shenzhen, China

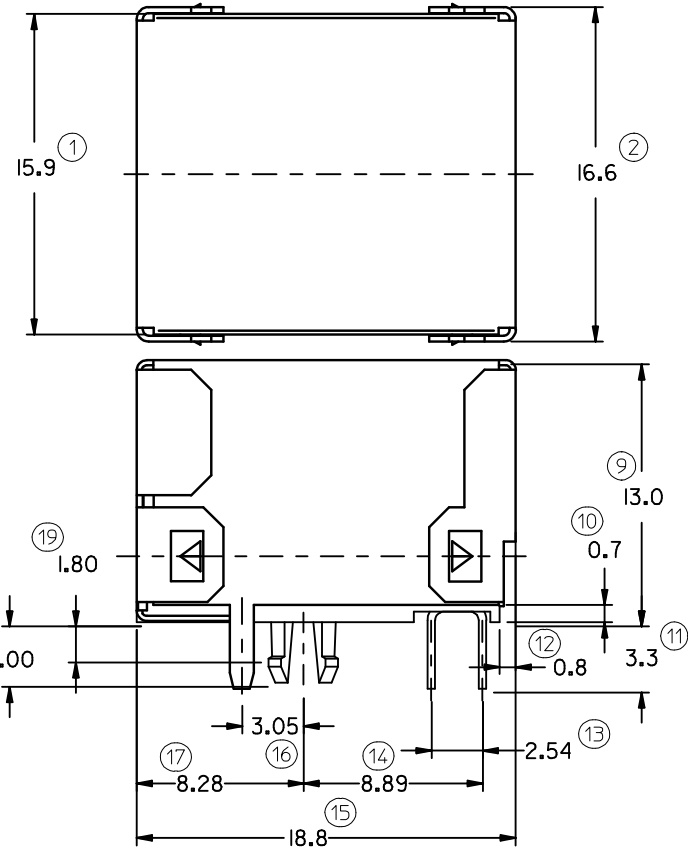
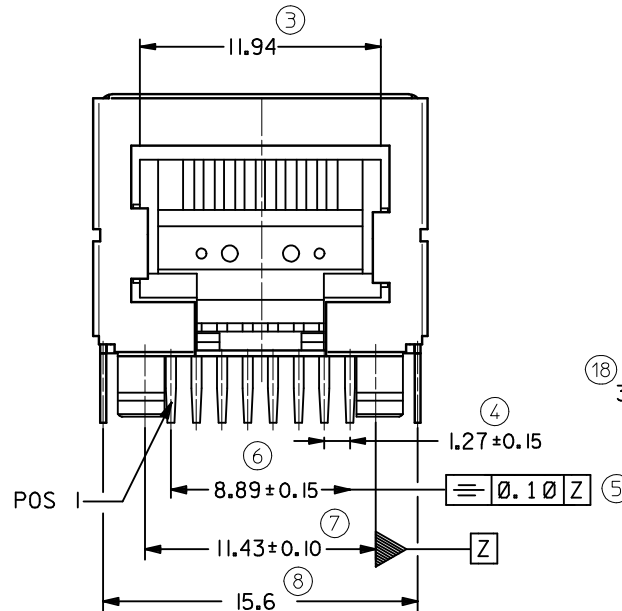
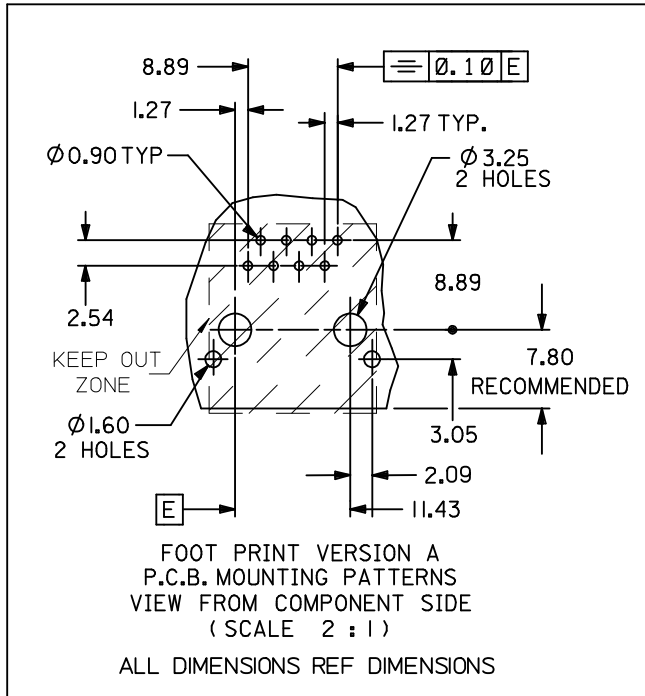


TECHNICAL SPECIFICATIONS:

I- MATERIAL :

HOUSING: LCP GLASS FILLED UL 94VO COLOR BLACK
 TERMINAL : PHOSPHOR BRONZE PLATED WITH:
 BASE FINISH: NICKEL
 CONTACT SURFACE FINISH:
 GOLD
 OR
 GOLD FLASH OVER PALLADIUM NICKEL.
 EXCEEDS PRODUCT REQUIREMENTS BASED ON PS-85543-002
 SHIELD : BRASS PLATED WITH 0.0020 MIN. TIN

ENG.N°.	FOOTPRINT VERSION	HOUSING SIZE	LOADED CKTS	PANEL GROUND	TOOLED	PACKAGING SPEC. TUBE PACKAGING.
85505-5113	A	8	8	NO	YES	PK-95122-006



NOTES:

- 1- JACK FOR MATING WITH SHIELDED PLUG MOLEX 95043 AND 85568 SERIES.
- 2- PRODUCT SPECIFICATION: MOLEX PS- 85543-002
- 3- APPLICATION SPECIFICATION: MOLEX AS-85513-001
- 4- PACKAGING SPECIFICATION: SEE CHART
- 5- P.C. BOARD THICKNESS : 1.57
- 6- EXCEEDS CATEGORY 5E PERFORMANCE.

LAST INSPECTION NUMBER: 19

CHANGED PRODUCT SPECIFICATION: EC NO: IPG2013-1149	DESCRIPTION	QUALITY SYMBOLS	GENERAL TOLERANCES (UNLESS SPECIFIED)		DIMENSION STYLE		SCALE	DESIGN UNITS	THIRD ANGLE PROJECTION		
			mm	INCH	MM ONLY	4:1	METRIC	⊙ □			
DRW:DBYRMS 2013/02/13	2013/02/13	▽=0	4 PLACES	± --- ± ---	DRAWN BY	DATE	TITLE	HIGH SPEED MODULAR JACK R/A FULLY SHIELDED THROUGH HOLE - VERSION A			
CHKD:SHANAHAN 2013/02/14	2013/02/14	□=0	3 PLACES	± --- ± ---	CHECKED BY	DATE					
APPR:STORIEFFIN 2013/02/26	2013/02/26		2 PLACES	± 0.25 ± ---	APPROVED BY	DATE		MOLEX INCORPORATED			
			1 PLACE	± 0.35 ± ---	KNOLLER	2005/03/08					
			ANGULAR ± 2 °		MATERIAL NO.		DOCUMENT NO.		SHEET NO.		
			DRAFT WHERE APPLICABLE MUST REMAIN WITHIN DIMENSIONS		SEE CHART		SD-85505-106		1 OF 1		
					SIZE A3		THIS DRAWING CONTAINS INFORMATION THAT IS PROPRIETARY TO MOLEX INCORPORATED AND SHOULD NOT BE USED WITHOUT WRITTEN PERMISSION				