



Chipsmall Limited consists of a professional team with an average of over 10 year of expertise in the distribution of electronic components. Based in Hongkong, we have already established firm and mutual-benefit business relationships with customers from,Europe,America and south Asia,supplying obsolete and hard-to-find components to meet their specific needs.

With the principle of “Quality Parts,Customers Priority,Honest Operation,and Considerate Service”,our business mainly focus on the distribution of electronic components. Line cards we deal with include Microchip,ALPS,ROHM,Xilinx,Pulse,ON,Everlight and Freescale. Main products comprise IC,Modules,Potentiometer,IC Socket,Relay,Connector.Our parts cover such applications as commercial,industrial, and automotives areas.

We are looking forward to setting up business relationship with you and hope to provide you with the best service and solution. Let us make a better world for our industry!



Contact us

Tel: +86-755-8981 8866 Fax: +86-755-8427 6832

Email & Skype: info@chipsmall.com Web: www.chipsmall.com

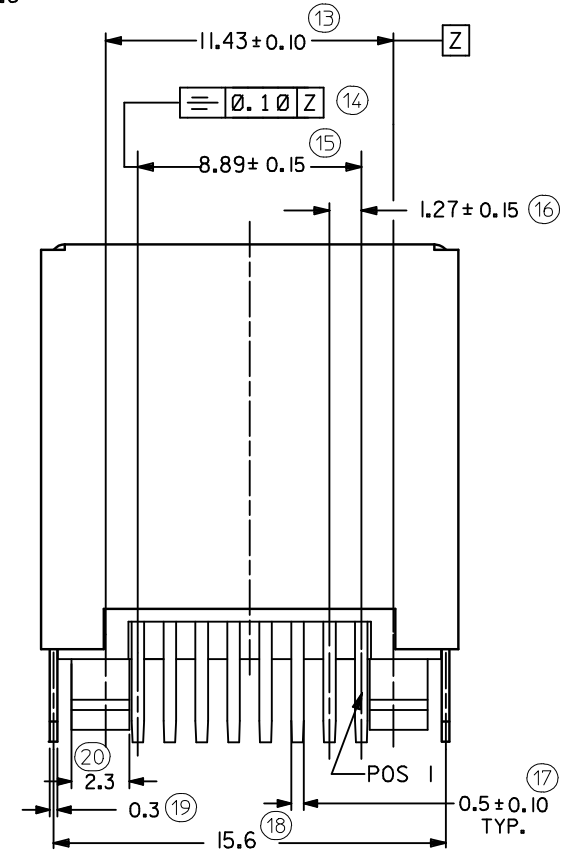
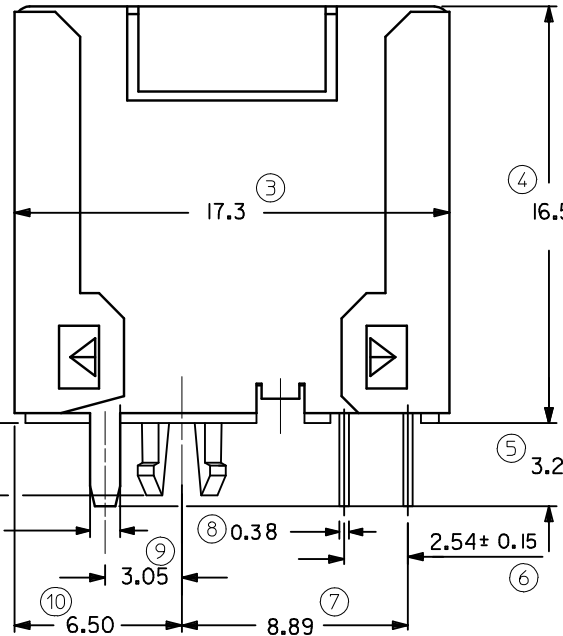
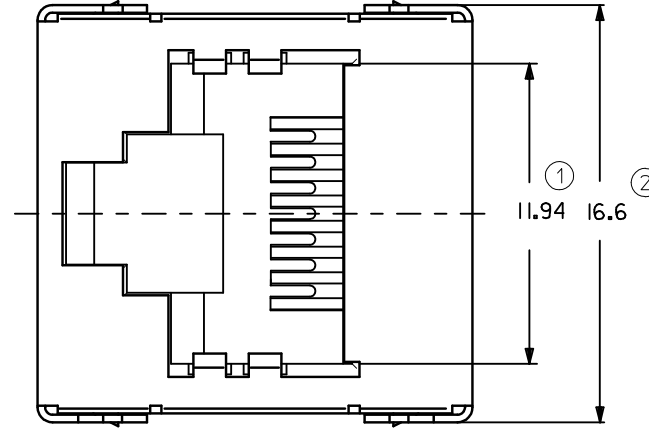
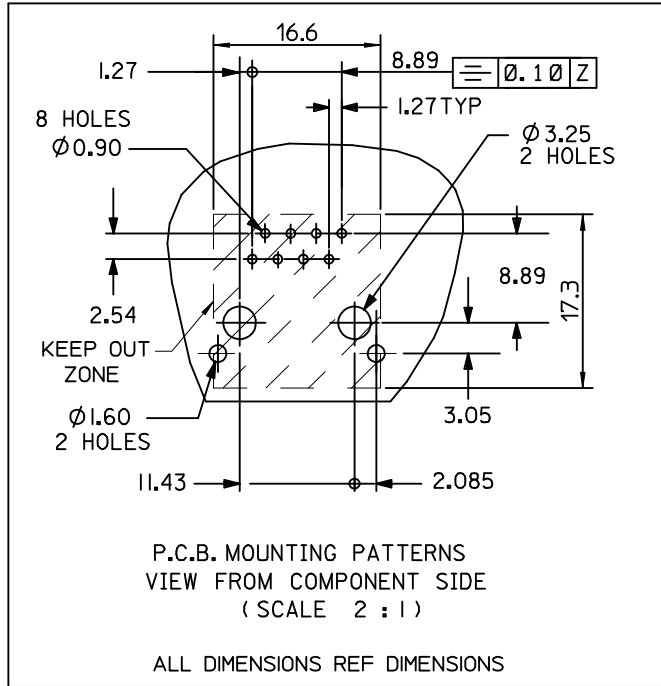
Address: A1208, Overseas Decoration Building, #122 Zhenhua RD., Futian, Shenzhen, China



TECHNICAL SPECIFICATIONS:

1- MATERIAL: HOUSING: LCP G.F. UL94V0 COLOR : BLACK
 TERMINAL : PHOSPHOR BRONZE PLATED WITH
 BASE FINISH: NICKEL
 CONTACT SURFACE FINISH:
 GOLD
 OR
 GOLD FLASH OVER PALLADIUM NICKEL.
 EXCEEDS PRODUCT REQUIREMENTS BASED ON PS-85508-001
 SHIELD : BRASS PLATED WITH 0.0020 MIN TIN

PART NUMBER	TOOLED	PCB THICKNESS
85508-5001	YES	1.57



NOTES :

- 1- JACK FOR MATING WITH F.C.C. 68 PLUGS 95043 MOLEX SERIES.
 - 2- PRODUCT SPECIFICATION: MOLEX PS-85508-001.
 - 3- APPLICATION SPECIFICATION: AS-85513-001
 - 4- PACKAGING SPECIFICATION: MOLEX PK-95123.
 - 5- EXCEEDS CATEGORY 5E PERFORMANCE.
- LAST INSPECTION NUMBER: 20

ADDED DIMENSIONS EC NO: IPG2013-0417 2012/09/24 DRW:DBYRNES 2012/09/24 CHKD:MSHAHAN 2012/10/16 APPR:STGRUFFIN 2012/10/23	QUALITY SYMBOLS	GENERAL TOLERANCES (UNLESS SPECIFIED)		DIMENSION STYLE MM ONLY		SCALE 5:1	DESIGN UNITS METRIC	THIRD ANGLE PROJECTION	
		mm	INCH	DRAWN BY	DATE	TITLE			
		4 PLACES ± --- ± ---		DBYRNES	2006/11/14	CAT 5E MODULAR JACK			
		3 PLACES ± --- ± ---		CHECKED BY	DATE	TOP ENTRY 8 CKTS			
	2 PLACES ± 0.25 ± ---		EOMAHONY	2006/11/16	THROUGH HOLE VERSION				
	1 PLACE ± 0.35 ± ---		APPROVED BY	DATE	MOLEX MOLEX INCORPORATED				
	ANGULAR ± 2 °		FSMITH	2010/04/09	DOCUMENT NO.				
	DRAFT WHERE APPLICABLE MUST REMAIN WITHIN DIMENSIONS		MATERIAL NO.		SD-85508-501				
			SIZE	THIS DRAWING CONTAINS INFORMATION THAT IS PROPRIETARY TO MOLEX INCORPORATED AND SHOULD NOT BE USED WITHOUT WRITTEN PERMISSION					
			A3	SHEET NO.					
				1 OF 1					