



Chipsmall Limited consists of a professional team with an average of over 10 year of expertise in the distribution of electronic components. Based in Hongkong, we have already established firm and mutual-benefit business relationships with customers from,Europe,America and south Asia,supplying obsolete and hard-to-find components to meet their specific needs.

With the principle of “Quality Parts,Customers Priority,Honest Operation,and Considerate Service”,our business mainly focus on the distribution of electronic components. Line cards we deal with include Microchip,ALPS,ROHM,Xilinx,Pulse,ON,Everlight and Freescale. Main products comprise IC,Modules,Potentiometer,IC Socket,Relay,Connector.Our parts cover such applications as commercial,industrial, and automotives areas.

We are looking forward to setting up business relationship with you and hope to provide you with the best service and solution. Let us make a better world for our industry!



## Contact us

Tel: +86-755-8981 8866 Fax: +86-755-8427 6832

Email & Skype: info@chipsmall.com Web: www.chipsmall.com

Address: A1208, Overseas Decoration Building, #122 Zhenhua RD., Futian, Shenzhen, China



**NOTES :**

**1- MATERIAL:**

- HOUSING: LCP FIBER GLASS FILLED UL 94-V0 COLOR BLACK.
- TERMINAL: PHOSPHOR BRONZE

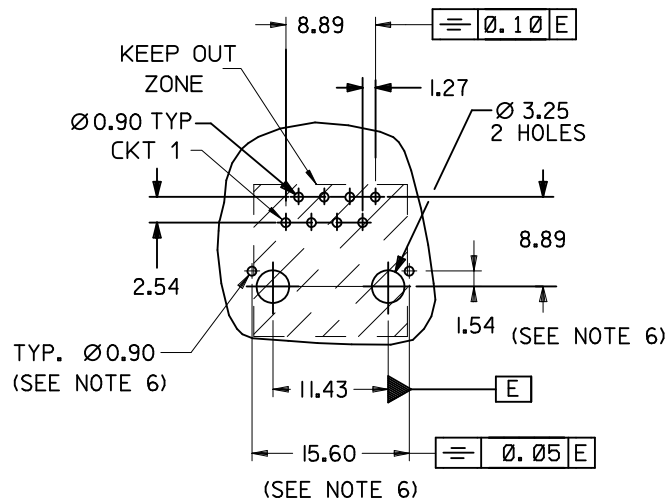
**PLATING :**

- BASE FINISH: NICKEL
- CONTACT SURFACE FINISH: GOLD,
- OR
- GOLD FLASH OVER PALLADIUM NICKEL.
- EXCEEDS PRODUCT REQUIREMENTS BASED ON PS-85506-001

- 2- JACK FOR MATING WITH IEC 60603-7 AND TIA-1096-A PLUGS (90075 MOLEX SERIES.)
- 3- PRODUCT SPECIFICATION PS-85506-001
- 4- MANUFACTURING I.D. CAN BE MG, MXF OR MXI.
- 5- PACKAGING SPECIFICATION PK-95003; SHEET 1 (TRAY PACKAGING)
- 6- THESE 3 DIMENSIONS ARE ONLY ADVISED AND DEPEND ON THE SHIELD TO BE ADDED.
- 7- EXCEEDS CATEGORY 5E PERFORMANCE.
- 8- APPLICATION SPECIFICATION: AS-85513-001

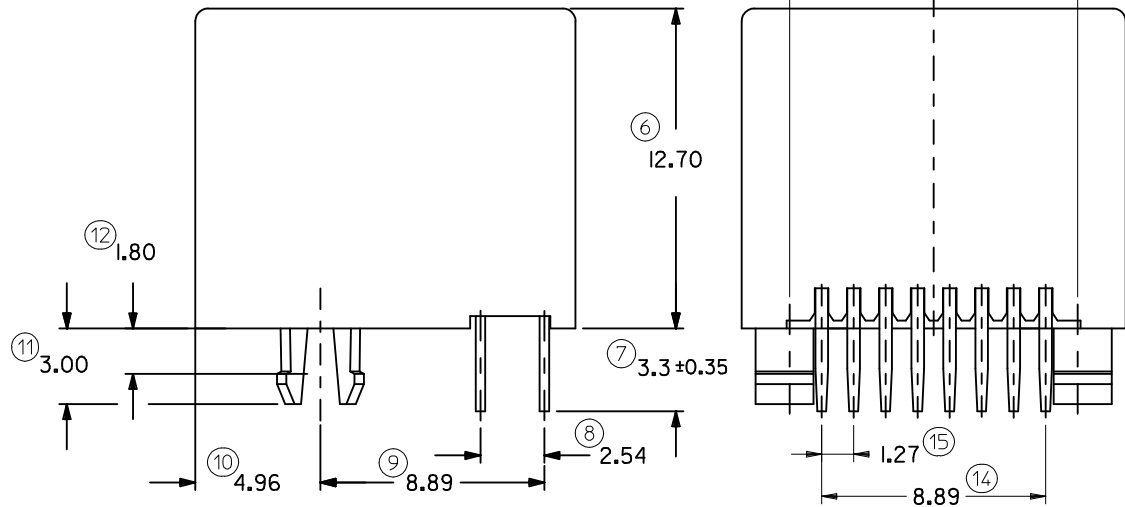
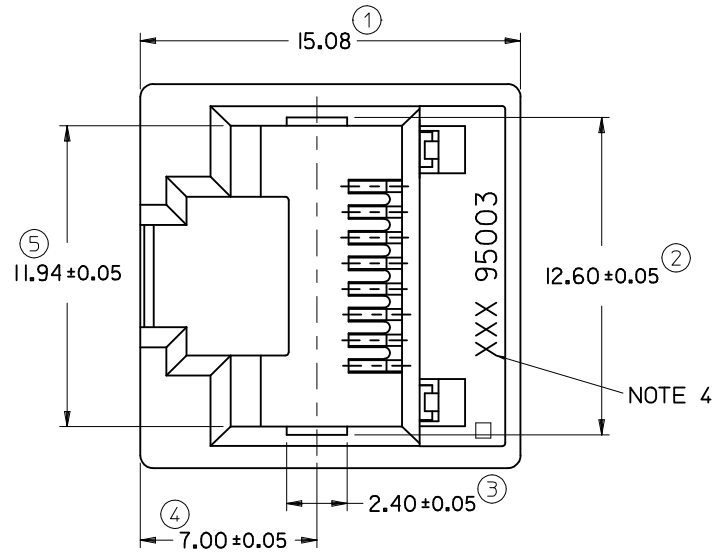
LAST INSPECTION NUMBER: 15

**P.C.B. MOUNTING PATTERN**  
(see from component side)  
ALL DIMENSIONS REF DIMENSIONS



SCALE 2:1

PART No.  
85511-5002



REMOVED PLATING OPTION EC NO: IPG2012-0699 DRWN:DBYRNES 2012/04/03 CHKD:MSHAHAN 2012/04/17 APPR:EFOLAN 2012/06/28	QUALITY SYMBOLS	GENERAL TOLERANCES (UNLESS SPECIFIED)	DIMENSION STYLE MM ONLY	SCALE 5:1	DESIGN UNITS METRIC	THIRD ANGLE PROJECTION	
	DESCRIPTION	mm INCH	DRAWN BY HB	DATE 00/04/14	TITLE SHORT TOP ENTRY HIGH SPEED JACK 8/8 (SPECIAL VERSION)		
	REV	0 PLACES ± --- ± --- 3 PLACES ± --- ± --- 2 PLACES ± 0.15 ± --- 1 PLACE ± 0.25 ± ---	APPROVED BY FB	DATE 00/04/14	MOLEX INCORPORATED		
		ANGULAR ± 1/2°	MATERIAL NO. SEE CHART	DOCUMENT NO. SD-85511-502	SHEET NO. 1 OF 1		
		DRAFT WHERE APPLICABLE MUST REMAIN WITHIN DIMENSIONS	THIS DRAWING CONTAINS INFORMATION THAT IS PROPRIETARY TO MOLEX INCORPORATED AND SHOULD NOT BE USED WITHOUT WRITTEN PERMISSION				