



Chipsmall Limited consists of a professional team with an average of over 10 year of expertise in the distribution of electronic components. Based in Hongkong, we have already established firm and mutual-benefit business relationships with customers from,Europe,America and south Asia,supplying obsolete and hard-to-find components to meet their specific needs.

With the principle of “Quality Parts,Customers Priority,Honest Operation,and Considerate Service”,our business mainly focus on the distribution of electronic components. Line cards we deal with include Microchip,ALPS,ROHM,Xilinx,Pulse,ON,Everlight and Freescale. Main products comprise IC,Modules,Potentiometer,IC Socket,Relay,Connector.Our parts cover such applications as commercial,industrial, and automotives areas.

We are looking forward to setting up business relationship with you and hope to provide you with the best service and solution. Let us make a better world for our industry!



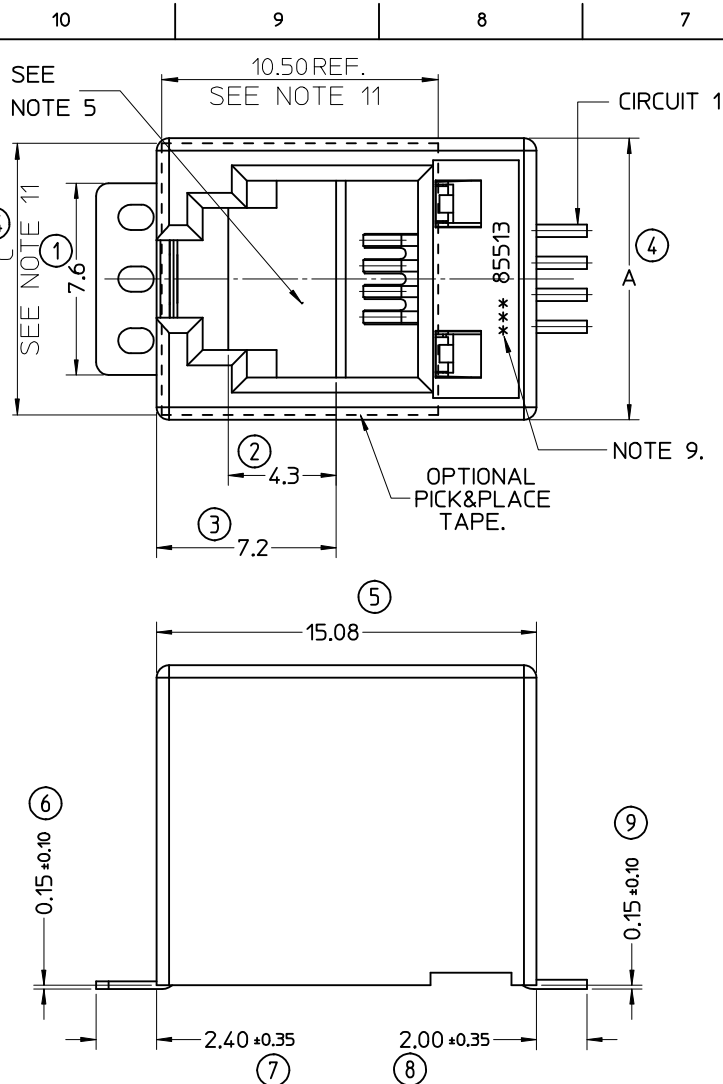
Contact us

Tel: +86-755-8981 8866 Fax: +86-755-8427 6832

Email & Skype: info@chipsmall.com Web: www.chipsmall.com

Address: A1208, Overseas Decoration Building, #122 Zhenhua RD., Futian, Shenzhen, China

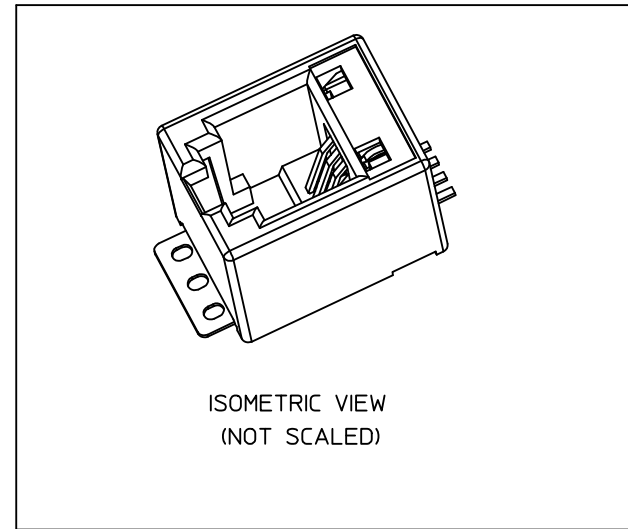
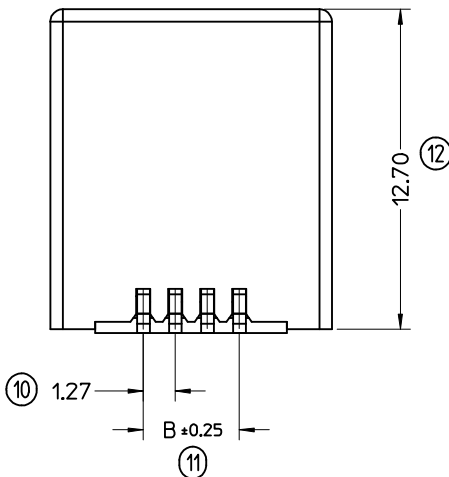




NOTES:

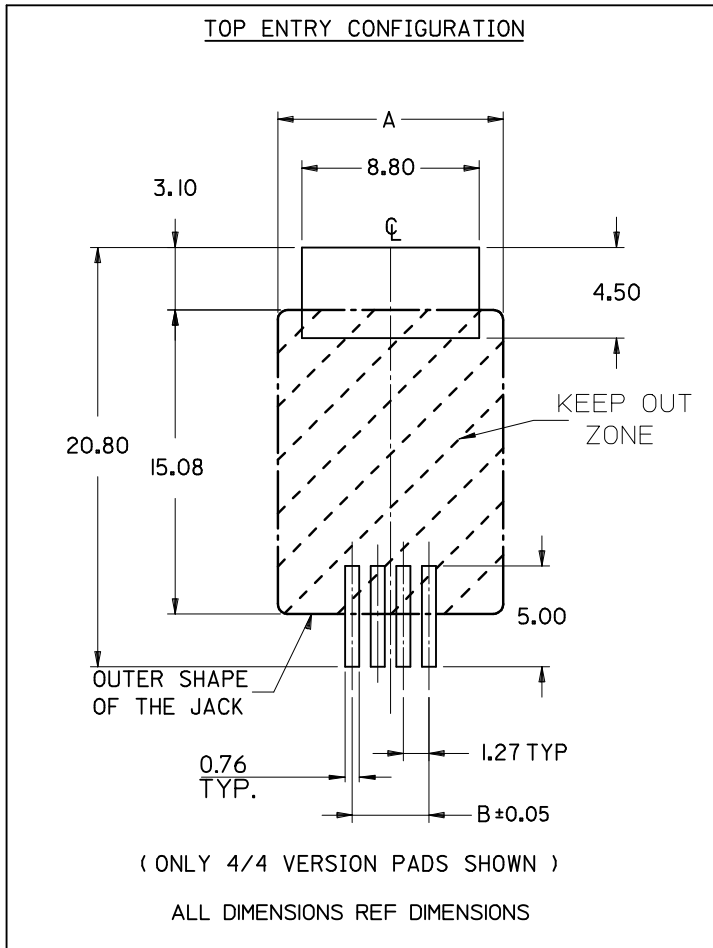
- 1- MATERIAL:
 -HOUSING: LCP GLASS FILLED UL 94-V0, COLOUR BLACK.
 -TERMINAL: COPPER ALLOY PLATED WITH:
 BASE FINISH: NICKEL
 CONTACT SURFACE FINISH:
 GOLD,
 OR
 GOLD FLASH OVER PALLADIUM NICKEL.
 EXCEEDS PRODUCT REQUIREMENTS BASED ON PS-85513-002
- 2- JACK FOR MATING WITH IEC 60603-7 AND TIA-1096-A PLUGS (MOLEX 90075 SERIES).
- 3- PRODUCT SPECIFICATION: PS-85513-002.
- 4- PACKAGING SPECIFICATION (SEE CHART SHEET2):
 PK-85513-001 SHEET 3 (BLISTER ON REEL 13")
 PK-85133-001 SHEET 1 (BLISTER ON REEL 15")
 PK-85513-001 SHEET 2 (BLISTER ON REEL 22")
- 5- FLAT SURFACE ON BOTH SIDES FOR PICK AND PLACE PURPOSE
- 6- COPLANARITY OF LEADS AND TABS: 0.10 MAX
- 7- SEE RECOMMENDED PCB LAYOUT ON SHEET 2
- 8- FOR DRAWING PURPOSE, ONLY 4/4 VERSION SHOWN.
- 9- MANUFACTURING ID CAN BE EITHER MXF, MG OR MXI.
- 10- APPLICATION SPEC AS-85513-001
- 11- OPTIONAL PICK&PLACE TAPE

LAST INSPECTION No: 14



REMOVED OPTION UPDATE DIM C EC NO: IPG2015-0192 DRWN: JKEARNS 2014/05/06 CHKD: APPR: STGRIFFIN 2014/08/29	DESCRIPTION REV	QUALITY SYMBOLS	GENERAL TOLERANCES (UNLESS SPECIFIED)	DIMENSION STYLE	SCALE	DESIGN UNITS	THIRD ANGLE PROJECTION																		
		$\nabla=0$ $\nabla C=0$	<table border="1"> <thead> <tr> <th></th> <th>mm</th> <th>INCH</th> </tr> </thead> <tbody> <tr> <td>4 PLACES</td> <td>± ---</td> <td>± ---</td> </tr> <tr> <td>3 PLACES</td> <td>± ---</td> <td>± ---</td> </tr> <tr> <td>2 PLACES</td> <td>± 0.15</td> <td>± ---</td> </tr> <tr> <td>1 PLACE</td> <td>± 0.25</td> <td>± ---</td> </tr> </tbody> </table>		mm	INCH	4 PLACES	± ---	± ---	3 PLACES	± ---	± ---	2 PLACES	± 0.15	± ---	1 PLACE	± 0.25	± ---	MM ONLY	5:1	METRIC				
			mm	INCH																					
		4 PLACES	± ---	± ---																					
3 PLACES	± ---	± ---																							
2 PLACES	± 0.15	± ---																							
1 PLACE	± 0.25	± ---																							
	<table border="1"> <thead> <tr> <th></th> <th>mm</th> <th>INCH</th> </tr> </thead> <tbody> <tr> <td>ANGULAR</td> <td>± 2 °</td> <td></td> </tr> </tbody> </table>		mm	INCH	ANGULAR	± 2 °		<table border="1"> <tr> <td>DRAWN BY</td> <td>DATE</td> <td>TITLE</td> </tr> <tr> <td>DBYRNES</td> <td>2006/08/17</td> <td rowspan="4"> LOW PROFILE TOP ENTRY TRUE SMT JACK WITH P&P SURFACE (SHORT VERSION) </td> </tr> <tr> <td>CHECKED BY</td> <td>DATE</td> </tr> <tr> <td>EOMAHONY</td> <td>2006/08/17</td> </tr> <tr> <td>APPROVED BY</td> <td>DATE</td> </tr> <tr> <td>EOMAHONY</td> <td>2006/08/17</td> <td></td> </tr> </table>	DRAWN BY	DATE	TITLE	DBYRNES	2006/08/17	LOW PROFILE TOP ENTRY TRUE SMT JACK WITH P&P SURFACE (SHORT VERSION)	CHECKED BY	DATE	EOMAHONY	2006/08/17	APPROVED BY	DATE	EOMAHONY	2006/08/17			MOLEX INCORPORATED
	mm	INCH																							
ANGULAR	± 2 °																								
DRAWN BY	DATE	TITLE																							
DBYRNES	2006/08/17	LOW PROFILE TOP ENTRY TRUE SMT JACK WITH P&P SURFACE (SHORT VERSION)																							
CHECKED BY	DATE																								
EOMAHONY	2006/08/17																								
APPROVED BY	DATE																								
EOMAHONY	2006/08/17																								
		DRAFT WHERE APPLICABLE MUST REMAIN WITHIN DIMENSIONS	SEE SHEET 2	MATERIAL NO. SD-85513-010	DOCUMENT NO. SD-85513-010	SHEET NO. 1 OF 2																			

RECOMMENDED PCB LAYOUTS
(SEE FROM COMPONENT SIDE)



PART No.	PICK&PLACE TAPE	HOUSING SIZE	LOADED CKTS	TOOLED	A	B	C	PACKAGING	PACKAGING SPEC.
85513-5013	NO	8	8	YES	15.24	8.89	14.40 +2 -4	BLISTER ON REEL 13'	PK-85513-001 SHEET 3
85513-5113	YES			YES				BLISTER ON REEL 15'	PK-85513-001 SHEET 1
85513-5001	NO			YES				BLISTER ON REEL 22'	PK-85513-001 SHEET 2
85513-5009	NO			YES				BLISTER ON REEL 22'	PK-85513-001 SHEET 2
85513-5109	YES	6	6	YES	13.21	6.35	12.40 +2 -4	BLISTER ON REEL 13'	PK-85513-001 SHEET 3
85513-5014	NO			YES				BLISTER ON REEL 15'	PK-85513-001 SHEET 1
85513-5114	YES			YES				BLISTER ON REEL 22'	PK-85513-001 SHEET 2
85513-5002	NO			YES				BLISTER ON REEL 22'	PK-85513-001 SHEET 2
85513-5010	NO	6	4	YES	13.21	3.81	12.40 +2 -4	BLISTER ON REEL 13'	PK-85513-001 SHEET 3
85513-5110	YES			YES				BLISTER ON REEL 15'	PK-85513-001 SHEET 1
85513-5015	NO			YES				BLISTER ON REEL 22'	PK-85513-001 SHEET 2
85513-5115	YES			YES				BLISTER ON REEL 22'	PK-85513-001 SHEET 2
85513-5003	NO	4	4	YES	11.18	3.81	10.40 +4 -2	BLISTER ON REEL 13'	PK-85513-001 SHEET 3
85513-5111	YES			YES				BLISTER ON REEL 15'	PK-85513-001 SHEET 1
85513-5016	NO			YES				BLISTER ON REEL 22'	PK-85513-001 SHEET 2
85513-5116	YES			YES				BLISTER ON REEL 22'	PK-85513-001 SHEET 2
85513-5004	NO	4	4	YES	11.18	3.81	10.40 +4 -2	BLISTER ON REEL 13'	PK-85513-001 SHEET 3
85513-5012	NO			YES				BLISTER ON REEL 15'	PK-85513-001 SHEET 1
85513-5112	YES			YES				BLISTER ON REEL 22'	PK-85513-001 SHEET 2

SEE SHEET 1 EC NO: IPG2015-0192 DRWN: JKEARNS 2014/05/06 CHKD: APPR: STORIFFIN 2014/08/29	QUALITY SYMBOLS	GENERAL TOLERANCES (UNLESS SPECIFIED)	DIMENSION STYLE MM ONLY	SCALE 1:1	DESIGN UNITS METRIC	THIRD ANGLE PROJECTION	
	▽=0 ∇=0	mm INCH 4 PLACES ± --- ± --- 3 PLACES ± --- ± --- 2 PLACES ± 0.15 ± --- 1 PLACE ± 0.25 ± --- ANGULAR ± 2 °	DRAWN BY: DBYRNES DATE: 2006/08/17 CHECKED BY: DATE: APPROVED BY: EOMAHONY DATE: 2006/08/17	TITLE	LOW PROFILE TOP ENTRY TRUE SMT JACK WITH P&P SURFACE(SHORT VERSION)		
	DRAFT WHERE APPLICABLE MUST REMAIN WITHIN DIMENSIONS	SEE CHART	MATERIAL NO.	MOLEX INCORPORATED DOCUMENT NO. SD-85513-010			
	SIZE A3	THIS DRAWING CONTAINS INFORMATION THAT IS PROPRIETARY TO MOLEX INCORPORATED AND SHOULD NOT BE USED WITHOUT WRITTEN PERMISSION			SHEET NO. 2 OF 2		