



Chipsmall Limited consists of a professional team with an average of over 10 year of expertise in the distribution of electronic components. Based in Hongkong, we have already established firm and mutual-benefit business relationships with customers from,Europe,America and south Asia,supplying obsolete and hard-to-find components to meet their specific needs.

With the principle of “Quality Parts,Customers Priority,Honest Operation,and Considerate Service”,our business mainly focus on the distribution of electronic components. Line cards we deal with include Microchip,ALPS,ROHM,Xilinx,Pulse,ON,Everlight and Freescale. Main products comprise IC,Modules,Potentiometer,IC Socket,Relay,Connector.Our parts cover such applications as commercial,industrial, and automotives areas.

We are looking forward to setting up business relationship with you and hope to provide you with the best service and solution. Let us make a better world for our industry!



Contact us

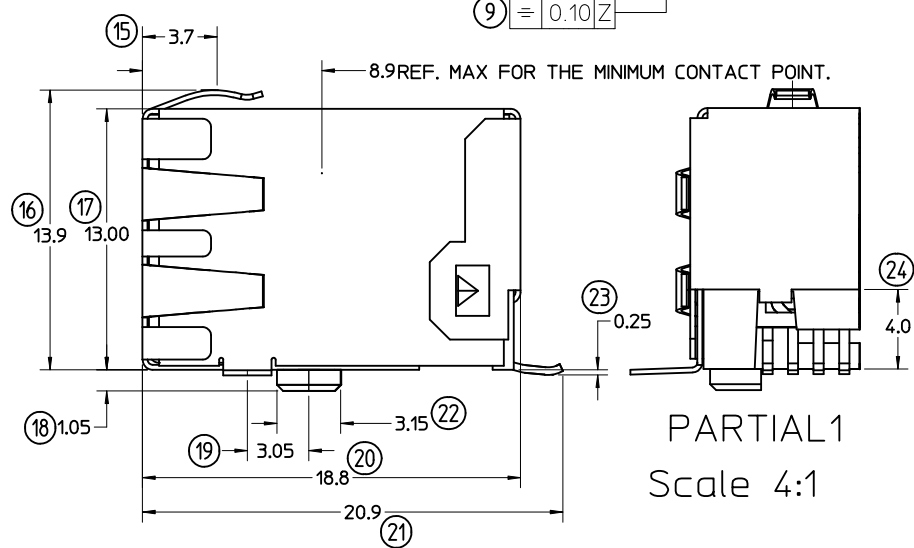
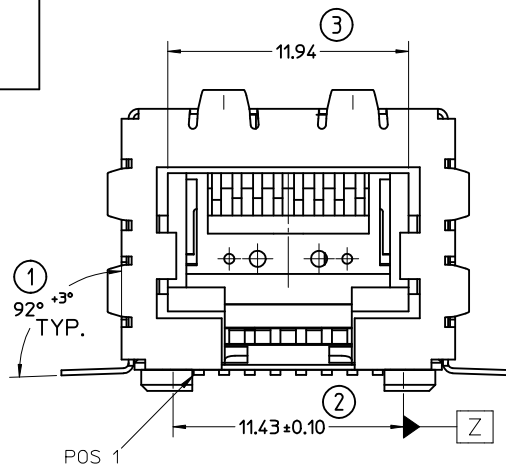
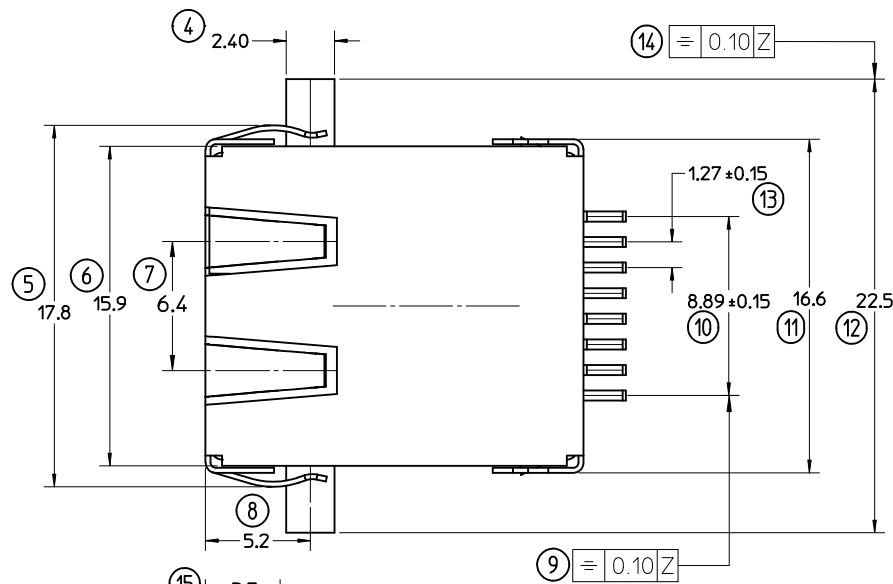
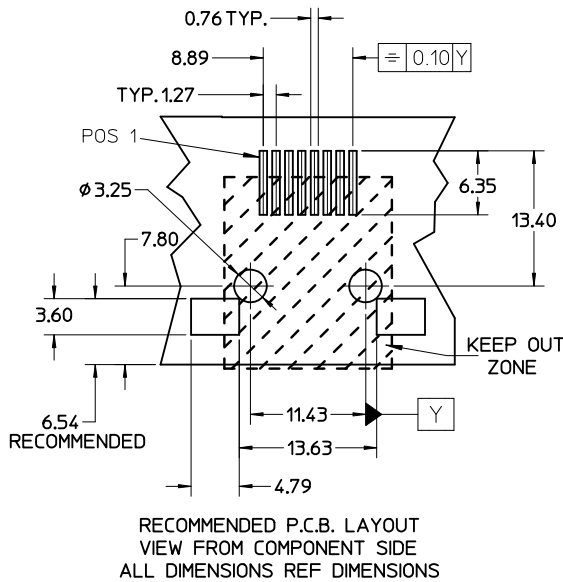
Tel: +86-755-8981 8866 Fax: +86-755-8427 6832

Email & Skype: info@chipsmall.com Web: www.chipsmall.com

Address: A1208, Overseas Decoration Building, #122 Zhenhua RD., Futian, Shenzhen, China



PART No.	PLATING
85543-7001	7



PARTIAL 1
Scale 4:1

NOTES:

- 1- JACK FOR MATING WITH SHIELDED PLUG (MOLEX 95043 SERIES)
- 2- PRODUCT SPECIFICATION: PS-85543-002
- 3- PACKAGING SPECIFICATION: PK-85542-002 (BLISTER ON REEL)
- ② 4- COPLANARITY OF SIGNAL LEADS: 0.10 MAX
- 5- EXCEEDS CATEGORY 5E PERFORMANCE.
- 6- RECOMMENDED PCB THICKNESS 1.57

LAST INSPECTION No: 25

TECHNICAL SPECIFICATIONS:

MATERIAL:

HOUSING: LCP GLASS FILLED UL 94V0.

COLOUR BLACK.

TERMINAL: PHOSPHOR BRONZE PLATED WITH:

PLATING 7: POST PLATE 0.00005 MIN GOLD FLASH OVER
0.00060 MIN PALLADIUM-NICKEL IN CONTACT AREA,
0.00190 MIN PURE TIN IN TAIL AREA,
BOTH OVER 0.00127 MIN NICKEL OVERALL.

SHIELD: BRASS PLATED WITH 0.0020 MIN TIN.

UPDATED PS NOTE EC NO: IPG2012-0375 DRWN: JOCANNOR 2012/02/14 CHKD: [] APPR: EFOLAN 2012/03/07	DESCRIPTION QUALITY SYMBOLS ▽=0 ◻=0	GENERAL TOLERANCES (UNLESS SPECIFIED)		DIMENSION STYLE MM ONLY		SCALE 4:1	DESIGN UNITS METRIC	THIRD ANGLE PROJECTION		
			mm	INCH	DRAWN BY	DATE	TITLE			
		4 PLACES	± ---	± ---	DBYRNES	2006/09/05	HIGH SPEED R/A FULLY SHIELDED MOD JACK(8-CCT) MOLEX INCORPORATED			
		3 PLACES	± ---	± .010	CHECKED BY	DATE				
2 PLACES	± 0.25	± .014	EOMAHONY	2006/09/06	MATERIAL NO. DOCUMENT NO. SHEET NO. SEE CHART SD-85543-501 1 OF 1					
1 PLACE	± 0.35	± ---	APPROVED BY	DATE						
ANGULAR ± 2 °		DRAFT WHERE APPLICABLE MUST REMAIN WITHIN DIMENSIONS		MATERIAL NO.		THIS DRAWING CONTAINS INFORMATION THAT IS PROPRIETARY TO MOLEX INCORPORATED AND SHOULD NOT BE USED WITHOUT WRITTEN PERMISSION				