



Chipsmall Limited consists of a professional team with an average of over 10 year of expertise in the distribution of electronic components. Based in Hongkong, we have already established firm and mutual-benefit business relationships with customers from,Europe,America and south Asia,supplying obsolete and hard-to-find components to meet their specific needs.

With the principle of “Quality Parts,Customers Priority,Honest Operation,and Considerate Service”,our business mainly focus on the distribution of electronic components. Line cards we deal with include Microchip,ALPS,ROHM,Xilinx,Pulse,ON,Everlight and Freescale. Main products comprise IC,Modules,Potentiometer,IC Socket,Relay,Connector.Our parts cover such applications as commercial,industrial, and automotives areas.

We are looking forward to setting up business relationship with you and hope to provide you with the best service and solution. Let us make a better world for our industry!



## Contact us

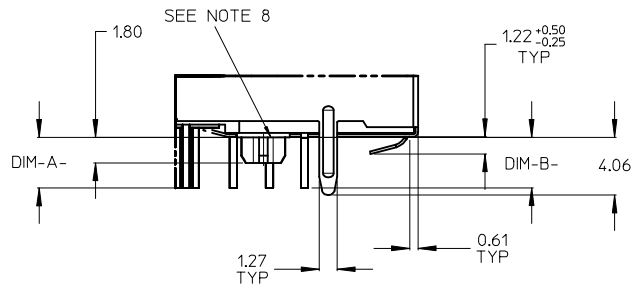
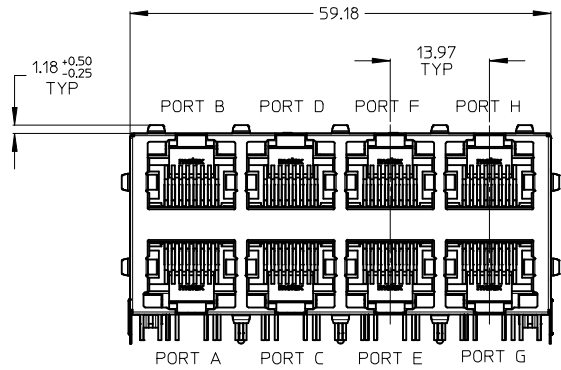
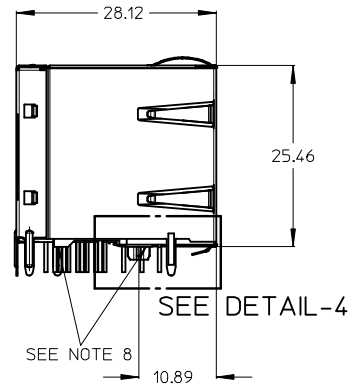
Tel: +86-755-8981 8866 Fax: +86-755-8427 6832

Email & Skype: info@chipsmall.com Web: www.chipsmall.com

Address: A1208, Overseas Decoration Building, #122 Zhenhua RD., Futian, Shenzhen, China

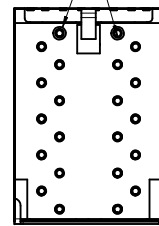


# GIGABIT MAGNETIC JACK 2x4 LED

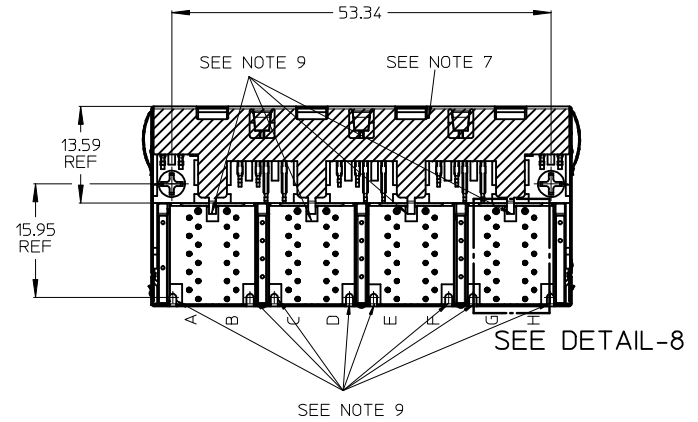


DETAIL-4  
SCALE 4:1

SEE NOTE 9



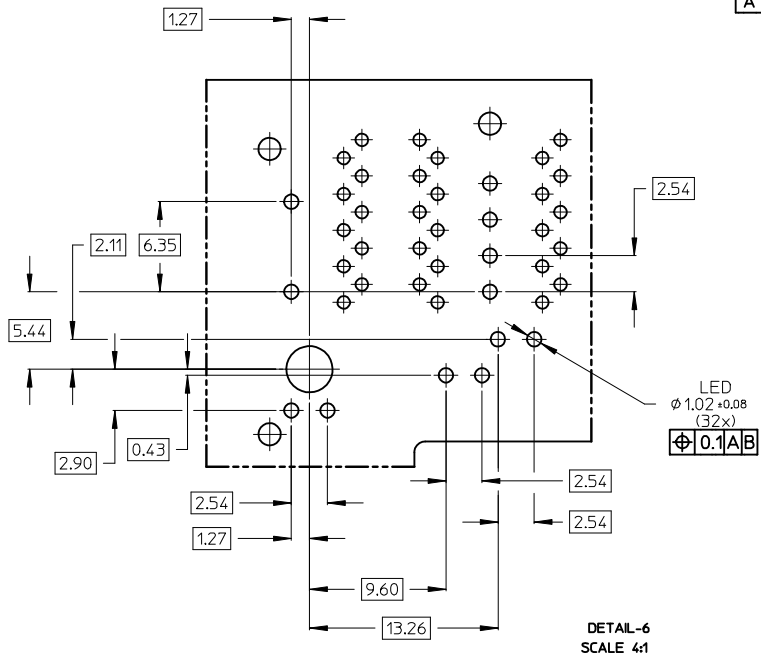
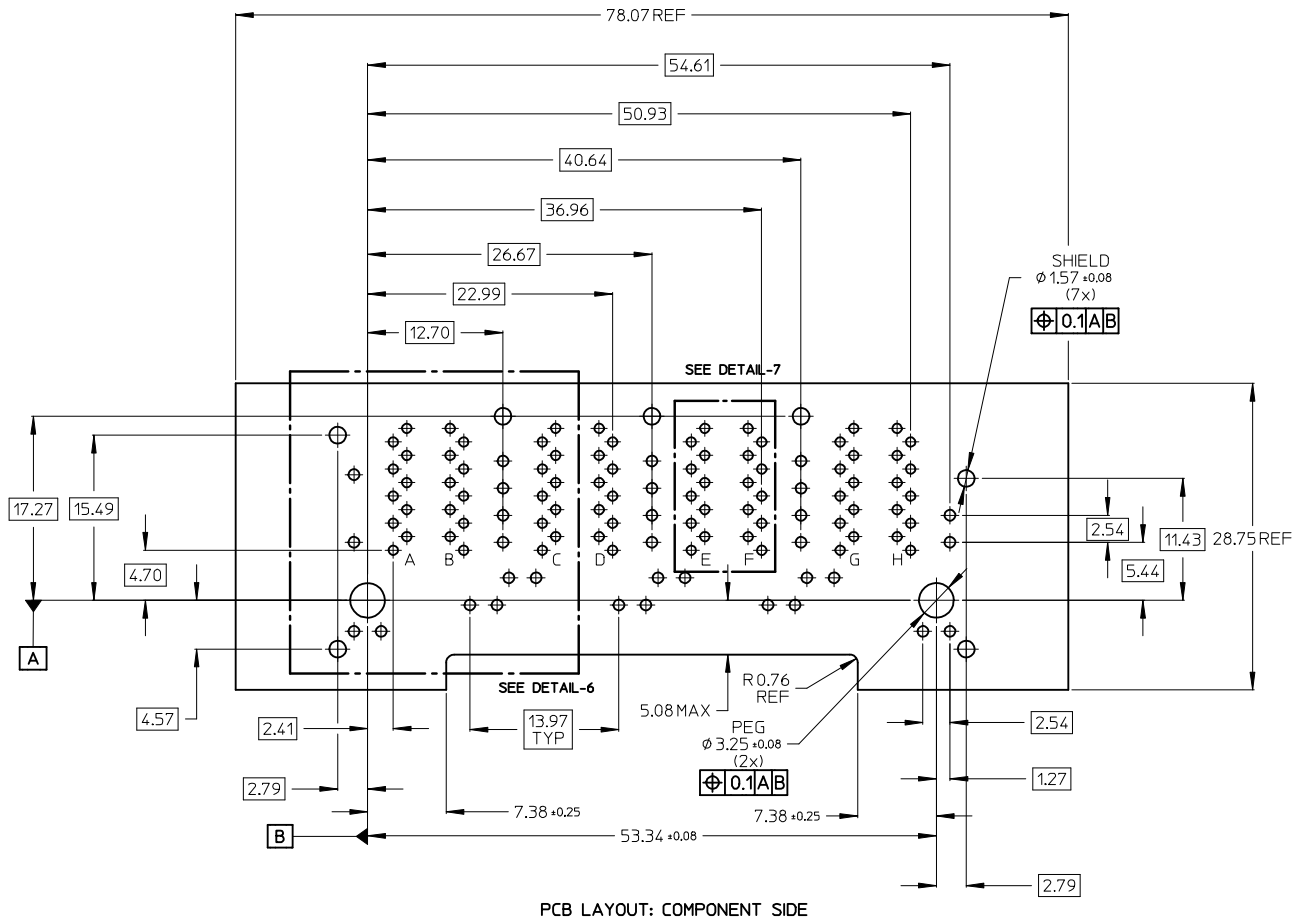
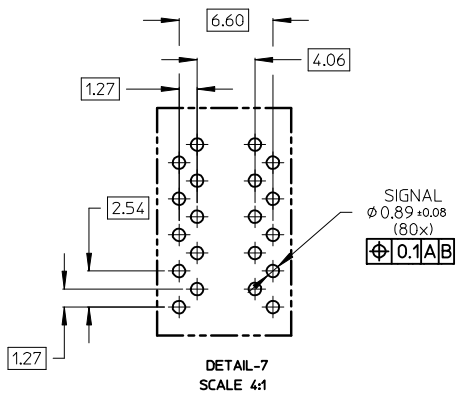
DETAIL-8  
SCALE 4:1



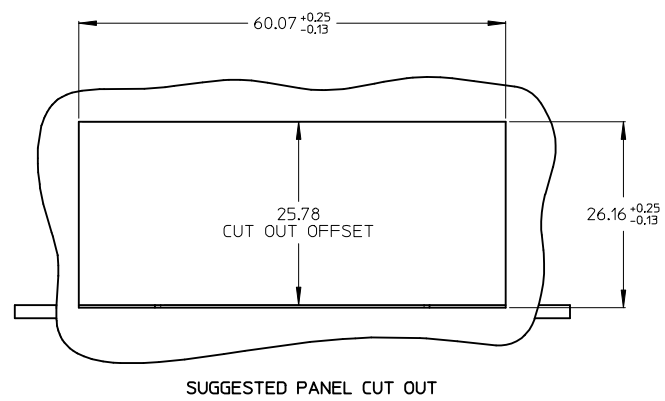
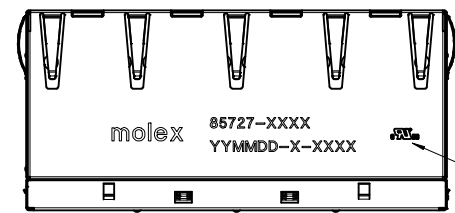
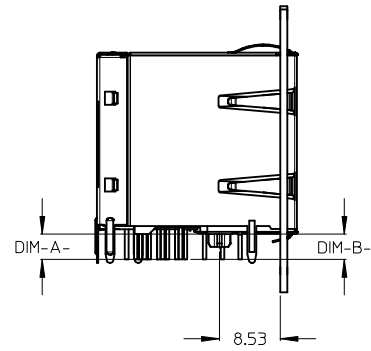
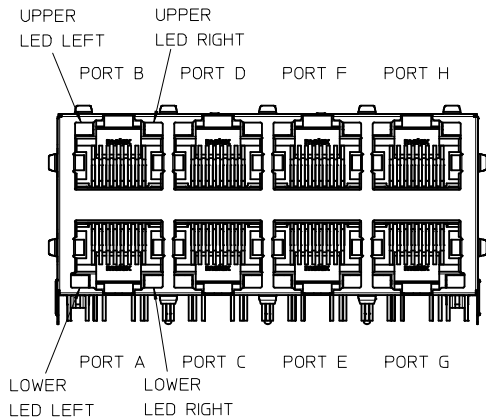
NOTES:

- 1 - SHIELD MATERIAL: BRASS, PLATING: NICKEL PRE-PLATING
- 2 - PLASTIC MATERIAL: POLYESTER (PBT)BLACK, 30%GR, UL 94V-0
- 3 - RJ45 TERMINALS MATERIAL: COPPER ALLOY  
CONTACT AREA PLATING: 0.76 MICROMETER GOLD OVER 1.9 MICROMETER NICKEL  
PHY TERMINALS: TIN PLATED
- 4 - MATING INTERFACE ACCORDING TO IEC 60603-7
- 5 - PRODUCT SPECIFICATION: PS-85728-001
- 6 - PACKAGING SPECIFICATION: PK-85727-001
- 7 - TRACES WITHOUT INSULATION NOT ALLOWED IN THE DASHED AREAS.  
(TO AVOID SHORTS TO SHIELD)
- 8 - STAND OFF TO SYSTEM BOARD
- 9 - STUBBED PINS AND SHIELD LATCHES AVOID TO ROUTE TRACES OR TO PLACE ANY  
VIAS OR PADS BELOW THESE PINS
- 10 - FOR MAGNETIC AND LED INFORMATION SEE SPEC PS-85728-001

NO CHANGE IEC NO: 2015/10/02 DRWN: JBADER CHKD: MMANGARUDOV 2015/10/02 APPR: SSTE INKE 2015/11/16	DESCRIPTION GIGABIT MAGNETIC JACK 2X4 LED	QUALITY SYMBOLS ▽=0 ▽=0		GENERAL TOLERANCES (UNLESS SPECIFIED) mm INCH 4 PLACES ± --- ± --- 3 PLACES ± --- ± --- 2 PLACES ± 0.25 ± --- 1 PLACE ± 0.5 ± --- ANGULAR ± .5 °		DIMENSION STYLE MM ONLY DRAWN BY: MMANGARUDOV 2010/05/07 DATE: 2010/05/07 CHECKED BY: JBADER 2010/05/10 DATE: 2010/05/10 APPROVED BY: SSTE INKE 2012/04/24 DATE: 2012/04/24		SCALE: 2:1 DESIGN UNITS: METRIC THIRD ANGLE PROJECTION		TITLE: GIGABIT MAGNETIC JACK 2X4 LED			
		DRAFT WHERE APPLICABLE MUST REMAIN WITHIN DIMENSIONS				MATERIAL NO: SEE SHEET 3		MOLEX INCORPORATED		DOCUMENT NO: SD-85727-001		SHEET NO: 1 OF 4	
		THIS DRAWING CONTAINS INFORMATION THAT IS PROPRIETARY TO MOLEX INCORPORATED AND SHOULD NOT BE USED WITHOUT WRITTEN PERMISSION											
		SIZE: A 2											



REF DIM ADDED	EC NO:	2015/10/02	QUALITY SYMBOLS	GENERAL TOLERANCES (UNLESS SPECIFIED)		DIMENSION STYLE		SCALE	DESIGN UNITS	THIRD ANGLE PROJECTION
	DRWN:	JBADER	▽=0	mm	INCH	MM ONLY		3:1	METRIC	
	CHKD:	MMANGARUDOV	▽=0	4 PLACES ± --- ± ---		DRAWN BY	DATE	TITLE		
	APPR:	SSTE INKE		3 PLACES ± --- ± ---		MMANGARUDOV	2010/05/07	GIGABIT MAGNETIC JACK 2X4 LED		
	REV			2 PLACES ± 0.25 ± ---		CHECKED BY	DATE	MOLEX INCORPORATED		
				1 PLACE ± 0.5 ± ---		JBADER	2010/05/10	SD-85727-001		
				ANGULAR ± .5 °		APPROVED BY	DATE	SHEET NO.		
				DRAFT WHERE APPLICABLE MUST REMAIN WITHIN DIMENSIONS		SSTE INKE	2012/04/24	2 OF 4		
						MATERIAL NO.		DOCUMENT NO.		
						SEE SHEET 3				
						THIS DRAWING CONTAINS INFORMATION THAT IS PROPRIETARY TO MOLEX INCORPORATED AND SHOULD NOT BE USED WITHOUT WRITTEN PERMISSION				



PART NUMBER	UPPER & LOWER LED LEFT		UPPER & LOWER LED RIGHT		DIMENSION -A- FOR SIGNAL PIN LENGTH	DIMENSION -B- FOR LED PIN LENGTH
	COLOUR 1	GREEN	COLOUR 1	GREEN		
85727-1001	COLOUR 1	GREEN	COLOUR 1	GREEN	3,56mm	3,56mm
85727-1002	COLOUR 1	GREEN	COLOUR 1	GREEN	3,56mm	3,56mm
	COLOUR 2	ORANGE				
85727-1003	COLOUR 1	GREEN	COLOUR 1	YELLOW	3,56mm	3,56mm
85727-1004	COLOUR 1	GREEN	COLOUR 1	GREEN	3,56mm	3,56mm
	COLOUR 2	ORANGE	COLOUR 2	ORANGE		
85727-1006	COLOUR 1	GREEN	COLOUR 1	ORANGE	3,56mm	3,56mm
85727-1008	COLOUR 1	GREEN	COLOUR 1	GREEN	3,56mm	3,56mm
	COLOUR 2	YELLOW	COLOUR 2	YELLOW		
85727-1012	COLOUR 1	YELLOW	COLOUR 1	YELLOW	3,56mm	3,56mm
	COLOUR 2	GREEN	COLOUR 2	GREEN		
85727-1013	COLOUR 1	YELLOW	COLOUR 1	GREEN	3,56mm	3,56mm
	COLOUR 2	GREEN				
85727-1014	COLOUR 1	YELLOW	COLOUR 1	GREEN	3,56mm	3,56mm
85727-1016	COLOUR 1	GREEN	COLOUR 1	GREEN	3,56mm	3,56mm
			COLOUR 2	YELLOW		

85727-3001	COLOUR 1	GREEN	COLOUR 1	GREEN	2,2mm	3,56mm
------------	----------	-------	----------	-------	-------	--------

85727-4001	COLOUR 1	GREEN	COLOUR 1	GREEN	2,5mm	3,56mm
------------	----------	-------	----------	-------	-------	--------

ADDITIONAL LED COLOURS AND CONFIGURATIONS AVAILABLE ON REQUEST

- NOTED:  
 1 - PRINTING MARKED BY LASER  
 2 - INSCRIPTION:  
 1st LINE: PART NUMBER  
 2nd LINE: DATE CODE (YEAR.MONTH.DAY) - MANUFACTURER ID - COSECUTIVE NUMBER  
 3 - UL LOGO

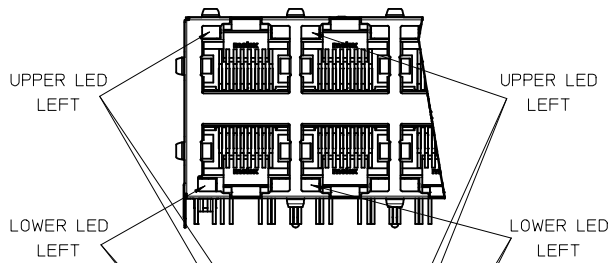
<b>NEW P/N ADDED</b> EC NO: 2015/10/02 DRWN: JBADER 2015/10/02 CHKD: MMANGARUDOV 2015/10/02 APPR: SSTE INKE 2015/11/16	QUALITY SYMBOLS ▽=0 ▽=0	GENERAL TOLERANCES (UNLESS SPECIFIED)		DIMENSION STYLE <b>MM ONLY</b>	SCALE <b>2:1</b>	DESIGN UNITS <b>METRIC</b>	THIRD ANGLE PROJECTION	
		4 PLACES ± --- ± ---	mm INCH	DRAWN BY MMANGARUDOV	DATE 2010/05/07	TITLE <b>GIGABIT MAGNETIC JACK 2X4 LED</b>		
		3 PLACES ± --- ± ---		CHECKED BY JBADER	DATE 2010/05/10	MOLEX INCORPORATED		
		2 PLACES ± 0.25 ± ---		APPROVED BY SSTE INKE	DATE 2012/04/24	MATERIAL NO.	DOCUMENT NO.	SHEET NO. 3 OF 4

ANGULAR ± .5°

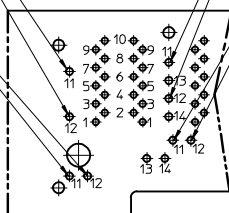
DRAFT WHERE APPLICABLE MUST REMAIN WITHIN DIMENSIONS

SEE BOM

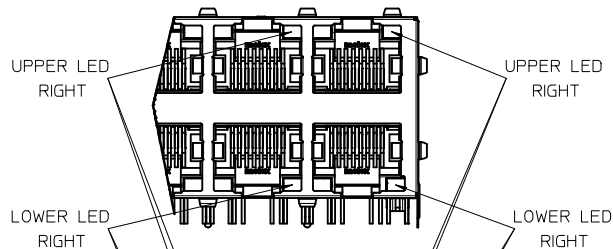
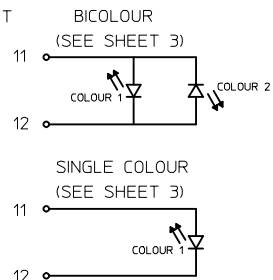
THIS DRAWING CONTAINS INFORMATION THAT IS PROPRIETARY TO MOLEX INCORPORATED AND SHOULD NOT BE USED WITHOUT WRITTEN PERMISSION



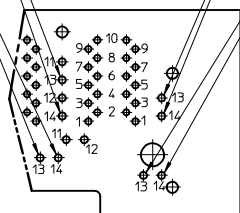
UPPER & LOWER LEFT LED		
PIN POSITION	COLOUR 1	COLOUR 2
11	+	-
12	-	+



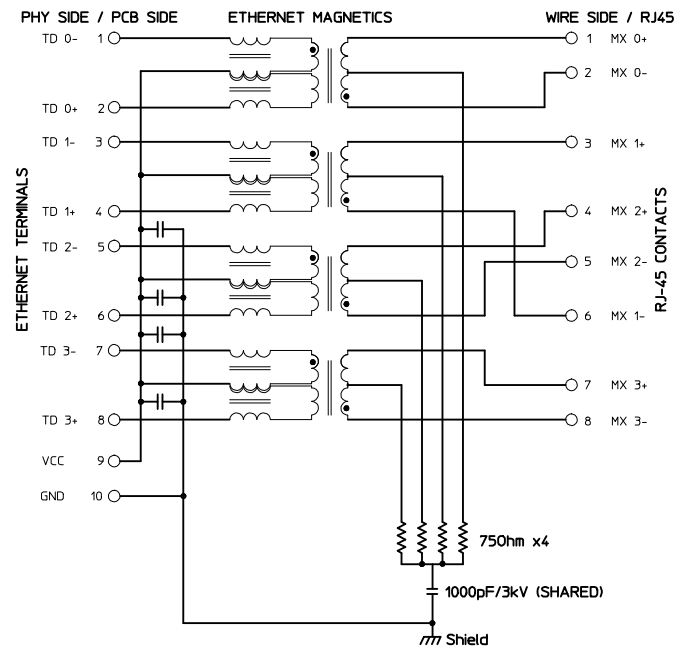
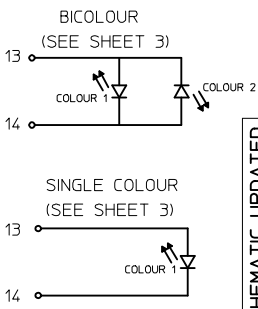
COMPONENT VIEW



UPPER & LOWER RIGHT LED		
PIN POSITION	COLOUR 1	COLOUR 2
13	+	+
14	-	-



COMPONENT VIEW



PIN	ETHERNET MAGNETICS
1	TD 0-
2	TD 0+
3	TD 1-
4	TD 1+
5	TD 2-
6	TD 2+
7	TD 3-
8	TD 3+
9	VCC
10	GND

<b>SCHEMATIC UPDATED</b> EC NO: 2015/10/02 DRWN: JBADER CHKD: MMANGARDOV APPR: SSTEINKE DATE: 2015/10/02 DATE: 2015/11/16	QUALITY SYMBOLS   DESCRIPTION	GENERAL TOLERANCES (UNLESS SPECIFIED)	DIMENSION STYLE <b>MM ONLY</b>	SCALE <b>2:1</b>	DESIGN UNITS <b>METRIC</b>	THIRD ANGLE PROJECTION
		4 PLACES ± --- ± --- 3 PLACES ± --- ± --- 2 PLACES ± 0.25 ± --- 1 PLACE ± 0.5 ± --- ANGULAR ± .5°	DRAWN BY: MMANGARDOV DATE: 2010/05/07 CHECKED BY: JBADER DATE: 2010/05/10 APPROVED BY: SSTEINKE DATE: 2012/04/24	TITLE <b>GIGABIT MAGNETIC JACK 2X4 LED</b>	MATERIAL NO. <b>SEE SHEET 3</b>	DOCUMENT NO. <b>SD-85727-001</b>
DRAFT WHERE APPLICABLE MUST REMAIN WITHIN DIMENSIONS		THIS DRAWING CONTAINS INFORMATION THAT IS PROPRIETARY TO MOLEX INCORPORATED AND SHOULD NOT BE USED WITHOUT WRITTEN PERMISSION				