



Chipsmall Limited consists of a professional team with an average of over 10 year of expertise in the distribution of electronic components. Based in Hongkong, we have already established firm and mutual-benefit business relationships with customers from,Europe,America and south Asia,supplying obsolete and hard-to-find components to meet their specific needs.

With the principle of "Quality Parts,Customers Priority,Honest Operation,and Considerate Service",our business mainly focus on the distribution of electronic components. Line cards we deal with include Microchip,ALPS,ROHM,Xilinx,Pulse,ON,Everlight and Freescale. Main products comprise IC,Modules,Potentiometer,IC Socket,Relay,Connector.Our parts cover such applications as commercial,industrial, and automotives areas.

We are looking forward to setting up business relationship with you and hope to provide you with the best service and solution. Let us make a better world for our industry!



## Contact us

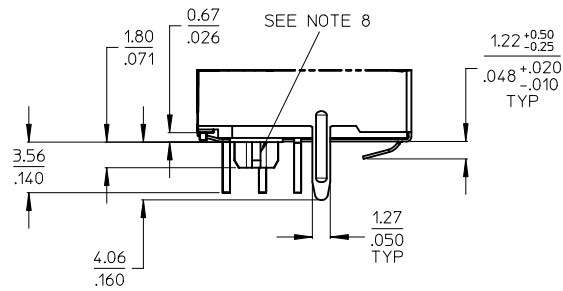
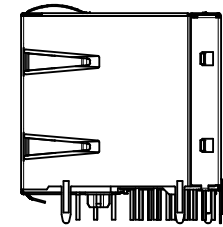
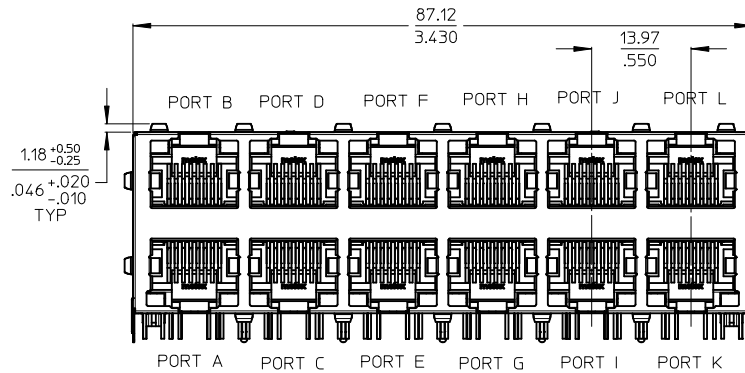
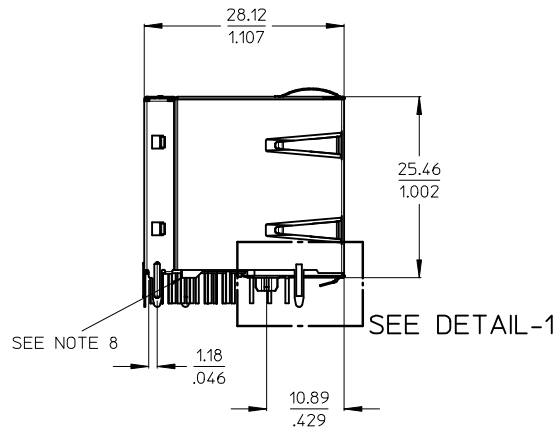
Tel: +86-755-8981 8866 Fax: +86-755-8427 6832

Email & Skype: info@chipsmall.com Web: www.chipsmall.com

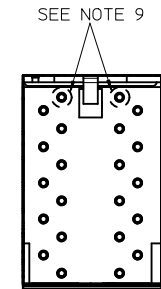
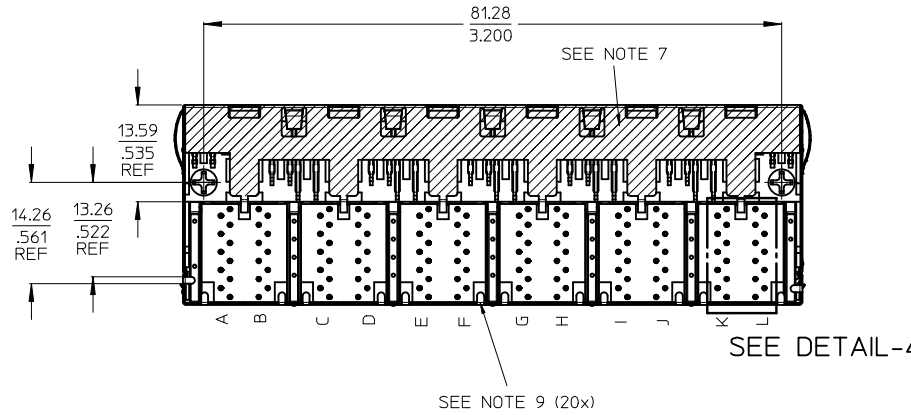
Address: A1208, Overseas Decoration Building, #122 Zhenhua RD., Futian, Shenzhen, China



GIGABIT MAGNETIC JACK 2x6 LED



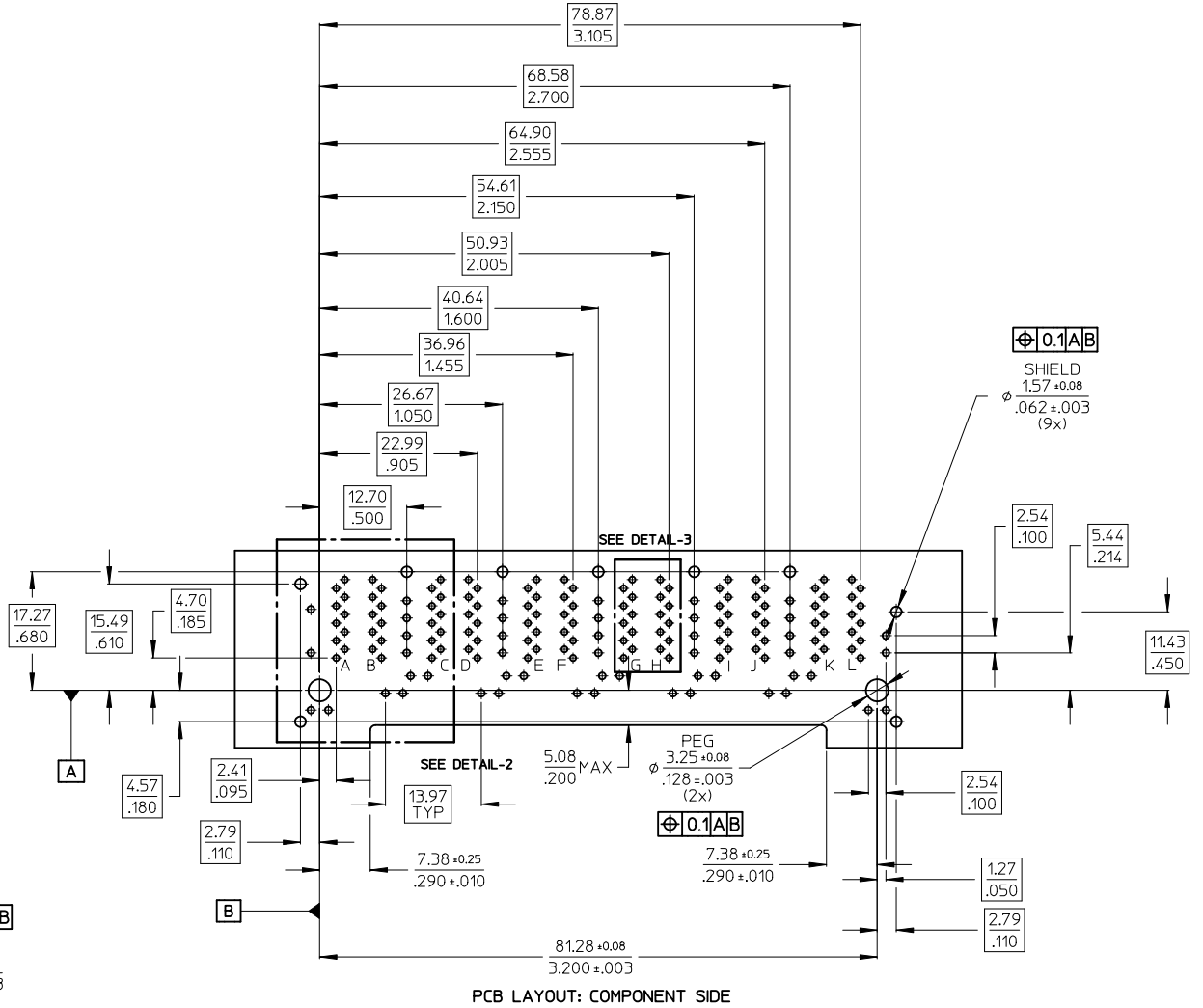
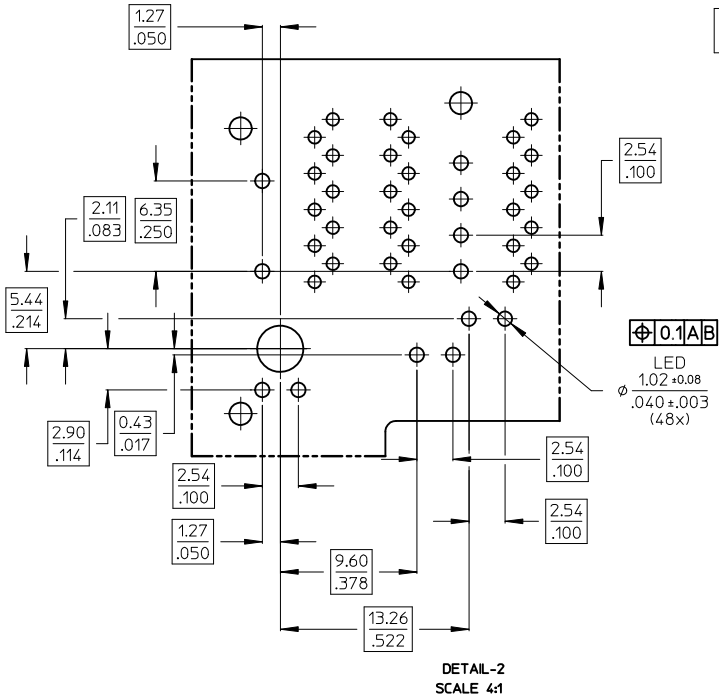
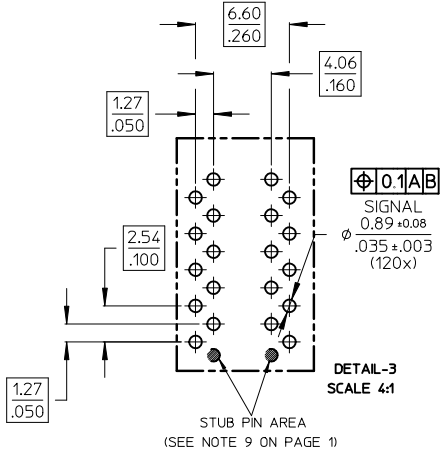
DETAIL-1  
SCALE 4:1



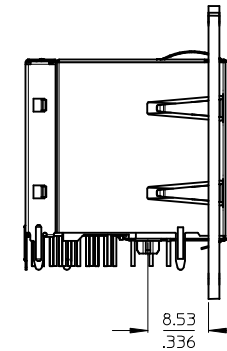
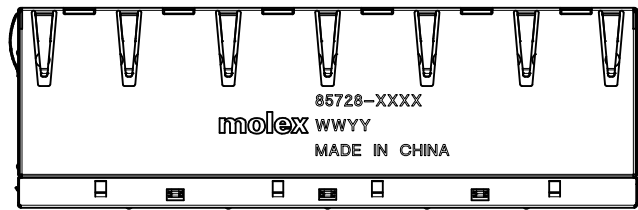
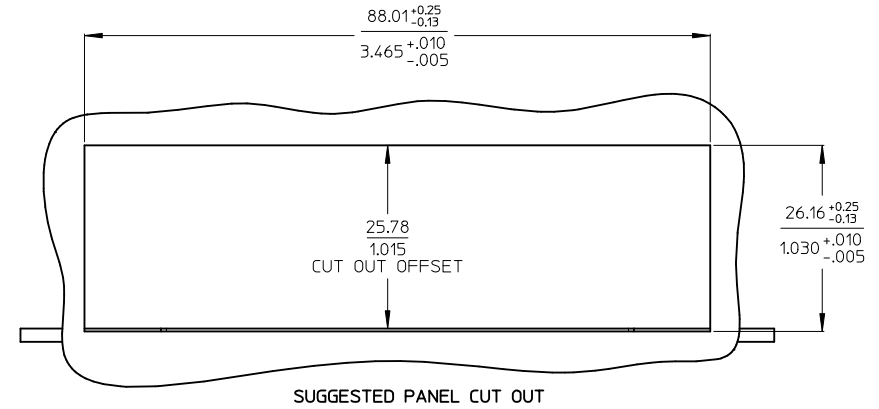
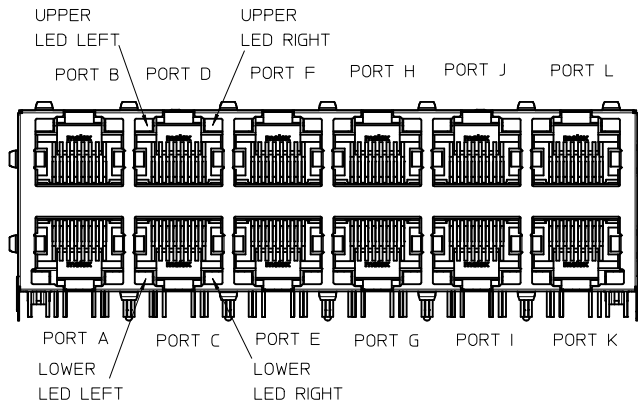
DETAIL-4  
SCALE 4:1

- NOTES:
- SHIELD MATERIAL: BRASS, PLATING: NIKEL PRE-PLATING
  - PLASTIC MATERIAL: POLYESTER (PBT), BLACK, UL 94V-0
  - TERMINALS MATERIAL: COPPER ALLOY  
RJ45 CONTACT AREA PLATING: 0.76 MICROMETER GOLD OVER 1.9 MICROMETER NICKEL  
SOLDER TERMINALS: 3 MICROMETER TIN
  - JACK TO BE MATED WITH FCC 68.5 PLUGS / IEC 60603-7 PLUGS
  - PRODUCT SPECIFICATION: PS-85728-001
  - PACKAGING SPECIFICATION: PK-85728-001
  - TRACES WITHOUT INSULATION NOT ALLOWED IN THE DASHED AREAS.  
(TO AVOID SHORTS TO SHIELD)
  - STAND OFF TO SYSTEM BOARD
  - STUB PINS AND SHIELD LATCHES; AVOID TO ROUTE TRACES OR TO PLACE ANY VIAS OR PADS BELOW THESE PINS

ENTER DESCRIPTION EC NO: MG2012-0007 DRWN: JBADER 2012/02/10 CHKD: MMANGARUDOV 2012/03/14 APPR: SSTE INKE 2012/06/12	QUALITY SYMBOLS ▽=0 ▽=0	GENERAL TOLERANCES (UNLESS SPECIFIED)		DIMENSION STYLE MM/IN		SCALE 2:1	DESIGN UNITS METRIC	THIRD ANGLE PROJECTION	
		4 PLACES ± --- ± ---	3 PLACES ± --- ± ---	2 PLACES ± 0.25 ± ---	1 PLACE ± 0.5 ± ---	ANGULAR ± 1°	DRAWN BY MMANGARUDOV	DATE 2010/03/19	TITLE GIGABIT MAGNETIC JACK 2X6 LED
DRAFT WHERE APPLICABLE MUST REMAIN WITHIN DIMENSIONS	DESCRIPTION REV C	APPROVED BY SSTE INKE		DATE 2010/05/11		MATERIAL NO. SEE SHEET 3		DOCUMENT NO. SD-85728-001	
		SIZE A 2		THIS DRAWING CONTAINS INFORMATION THAT IS PROPRIETARY TO MOLEX INCORPORATED AND SHOULD NOT BE USED WITHOUT WRITTEN PERMISSION		SHEET NO. 1 OF 4			



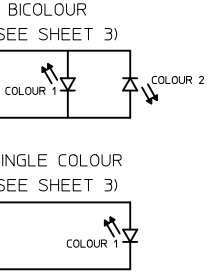
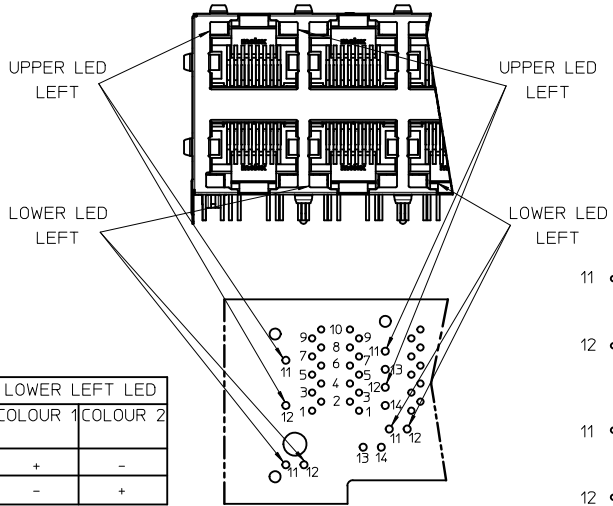
ENTER DESCRIPTION EC NO: MG2012-0007 DRAWN: JBADER CHKD: MMANGARUDOV APPR: SSTE INKE	DESCRIPTION 2012/02/10 2012/03/14 2012/06/12	QUALITY SYMBOLS ▽=0 ▽=0	GENERAL TOLERANCES (UNLESS SPECIFIED)		DIMENSION STYLE MM/IN		SCALE 2:1	DESIGN UNITS METRIC	THIRD ANGLE PROJECTION
		4 PLACES ± --- ± --- 3 PLACES ± --- ± --- 2 PLACES ± 0.25 ± --- 1 PLACE ± 0.5 ± --- ANGULAR ± 1 °	mm INCH	DRAWN BY MMANGARUDOV	DATE 2010/03/19	TITLE GIGABIT MAGNETIC JACK 2X6 LED	MATERIAL NO. SEE SHEET 3		DOCUMENT NO. SD-85728-001
DRAFT WHERE APPLICABLE MUST REMAIN WITHIN DIMENSIONS		APPROVED BY SSTE INKE		DATE 2010/05/11		MATERIAL NO. SD-85728-001			



PART NUMBER	UPPER & LOWER LED LEFT		UPPER & LOWER LED RIGHT	
85728-1001	COLOUR 1	GREEN	COLOUR 1	GREEN
85728-1002	COLOUR 1	GREEN	COLOUR 1	GREEN
	COLOUR 2	ORANGE		
85728-1003	COLOUR 1	GREEN	COLOUR 1	YELLOW
85728-1004	COLOUR 1	GREEN	COLOUR 1	GREEN
	COLOUR 2	ORANGE	COLOUR 2	ORANGE
85728-1006	COLOUR 1	GREEN	COLOUR 1	ORANGE
85728-1008	COLOUR 1	GREEN	COLOUR 1	GREEN
	COLOUR 2	YELLOW	COLOUR 2	YELLOW
85728-1012	COLOUR 1	YELLOW	COLOUR 1	YELLOW
	COLOUR 2	GREEN	COLOUR 2	GREEN
85728-1013	COLOUR 1	YELLOW	COLOUR 1	GREEN
	COLOUR 2	GREEN		
85728-1014	COLOUR 1	YELLOW	COLOUR 1	GREEN
85728-1016	COLOUR 1	GREEN	COLOUR 1	GREEN
			COLOUR 2	YELLOW

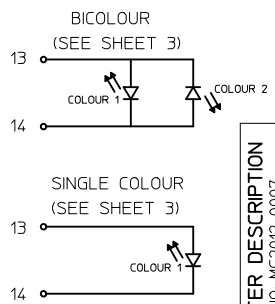
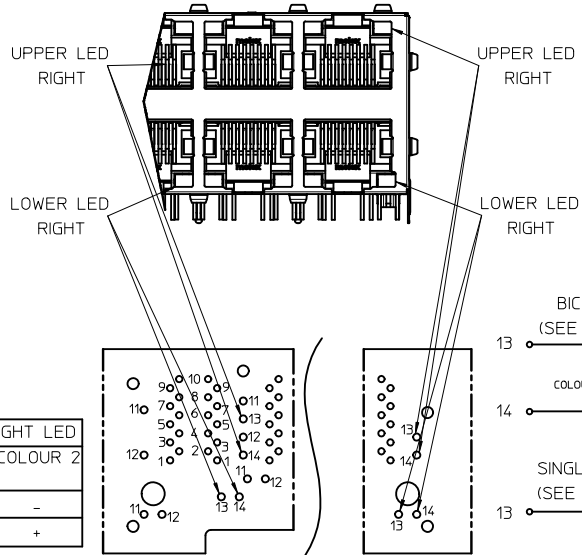
ADDITIONAL LED COLOURS AND CONFIGURATIONS AVAILABLE ON REQUEST

<b>ENTER DESCRIPTION</b> EC NO: MG2012-0007 DRWN: JBADER 2012/02/10 CHKD: MMANGARUDOV 2012/03/14 APPR: SSTE INKE 2012/06/12	QUALITY SYMBOLS ▽=0 ▽=0	GENERAL TOLERANCES (UNLESS SPECIFIED)		DIMENSION STYLE <b>MM/IN</b>	SCALE <b>2:1</b>	DESIGN UNITS <b>METRIC</b>	THIRD ANGLE PROJECTION
		4 PLACES ± --- ± --- 3 PLACES ± --- ± --- 2 PLACES ± 0.25 ± --- 1 PLACE ± 0.5 ± --- ANGULAR ± 1°	mm      INCH ± ---      ± --- ± 0.25      ± --- ± ---      ± ---	DRAWN BY      DATE MMANGARUDOV 2010/03/19	CHECKED BY      DATE JBADER 2010/03/22	<b>GIGABIT MAGNETIC JACK 2X6 LED</b>	
DRAFT WHERE APPLICABLE MUST REMAIN WITHIN DIMENSIONS	SIZE <b>A 2</b>	APPROVED BY      DATE SSTE INKE 2010/05/11		<b>MOLEX INCORPORATED</b>			
		MATERIAL NO.      DOCUMENT NO. <b>SEE BOM</b> <b>SD-85728-001</b>		SHEET NO. <b>3 OF 4</b>			
THIS DRAWING CONTAINS INFORMATION THAT IS PROPRIETARY TO MOLEX INCORPORATED AND SHOULD NOT BE USED WITHOUT WRITTEN PERMISSION							



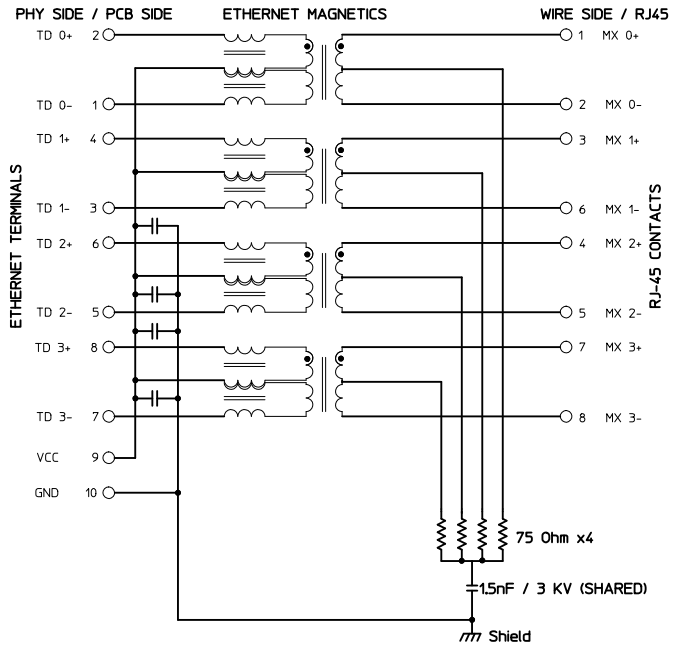
UPPER & LOWER LEFT LED		
PIN POSITION	COLOUR 1	COLOUR 2
11	+	-
12	-	+

COMPONENT VIEW



UPPER & LOWER RIGHT LED		
PIN POSITION	COLOUR 1	COLOUR 2
13	+	-
14	-	+

COMPONENT VIEW



PIN#	ETHERNET SIGNAL
10	GND
9	Vcc
8	TD 3+
7	TD 3-
6	TD 2+
5	TD 2-
4	TD 1+
3	TD 1-
2	TD 0+
1	TD 0-

<b>ENTER DESCRIPTION</b> EC NO: MG2012-0007 DRWN: JBADER 2012/02/10 CHKD: MMANGARUDOV 2012/03/14 APPR: SSTE INKE 2012/06/12	QUALITY SYMBOLS ▽=0 ▽=0	GENERAL TOLERANCES (UNLESS SPECIFIED) 4 PLACES ± --- ± --- 3 PLACES ± --- ± --- 2 PLACES ± 0.25 ± --- 1 PLACE ± 0.5 ± --- ANGULAR ± 1°	DIMENSION STYLE MM/IN DRAWN BY: MMANGARUDOV 2010/03/19 CHECKED BY: JBADER 2010/03/22 APPROVED BY: SSTE INKE 2010/05/11 MATERIAL NO.	SCALE: 2:1 DESIGN UNITS: METRIC THIRD ANGLE PROJECTION	TITLE: GIGABIT MAGNETIC JACK 2X6 LED
		DRAFT WHERE APPLICABLE MUST REMAIN WITHIN DIMENSIONS	SEE SHEET 3	MOLEX INCORPORATED SD-85728-001	SHEET NO. 4 OF 4