



Chipsmall Limited consists of a professional team with an average of over 10 year of expertise in the distribution of electronic components. Based in Hongkong, we have already established firm and mutual-benefit business relationships with customers from,Europe,America and south Asia,supplying obsolete and hard-to-find components to meet their specific needs.

With the principle of “Quality Parts,Customers Priority,Honest Operation,and Considerate Service”,our business mainly focus on the distribution of electronic components. Line cards we deal with include Microchip,ALPS,ROHM,Xilinx,Pulse,ON,Everlight and Freescale. Main products comprise IC,Modules,Potentiometer,IC Socket,Relay,Connector.Our parts cover such applications as commercial,industrial, and automotives areas.

We are looking forward to setting up business relationship with you and hope to provide you with the best service and solution. Let us make a better world for our industry!



## Contact us

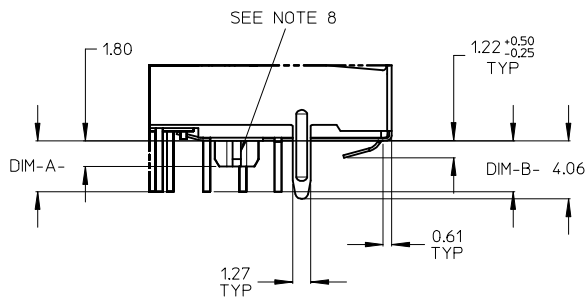
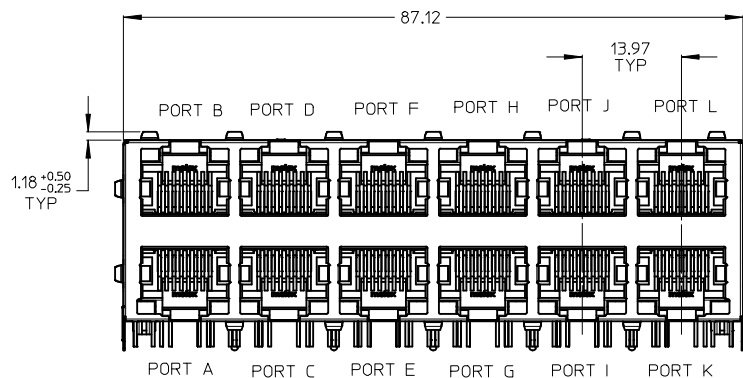
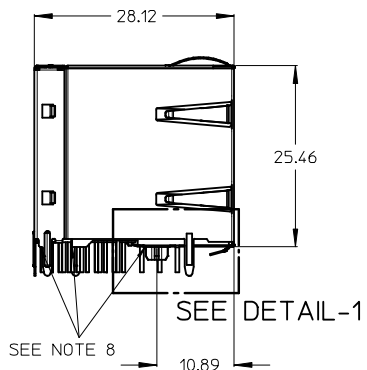
Tel: +86-755-8981 8866 Fax: +86-755-8427 6832

Email & Skype: info@chipsmall.com Web: www.chipsmall.com

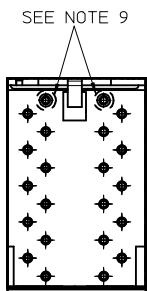
Address: A1208, Overseas Decoration Building, #122 Zhenhua RD., Futian, Shenzhen, China



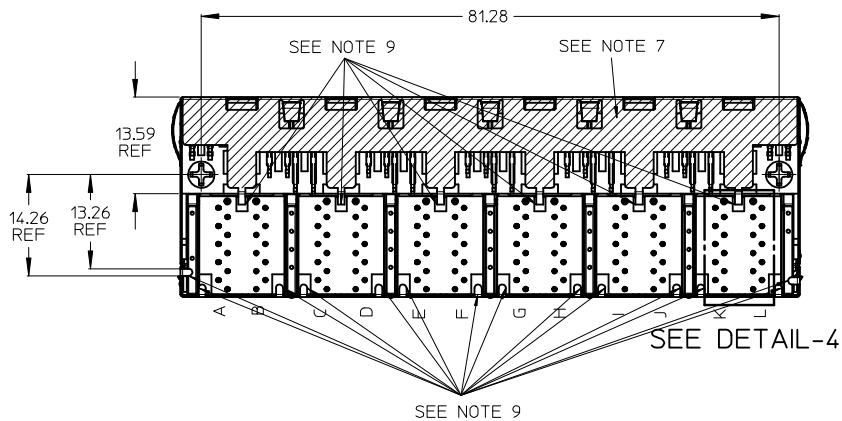
# GIGABIT MAGNETIC JACK 2x6 LED



DETAIL-1  
SCALE 4:1



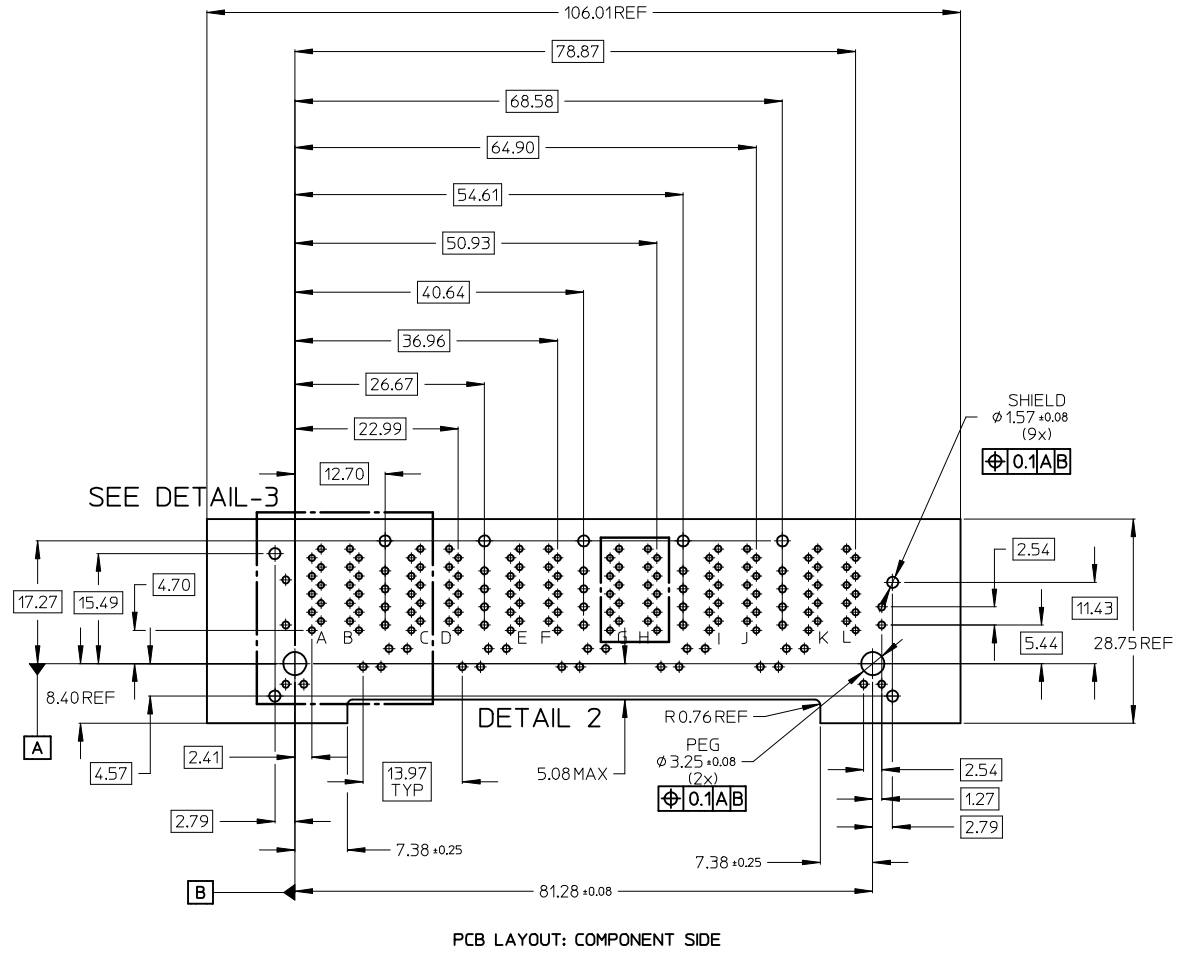
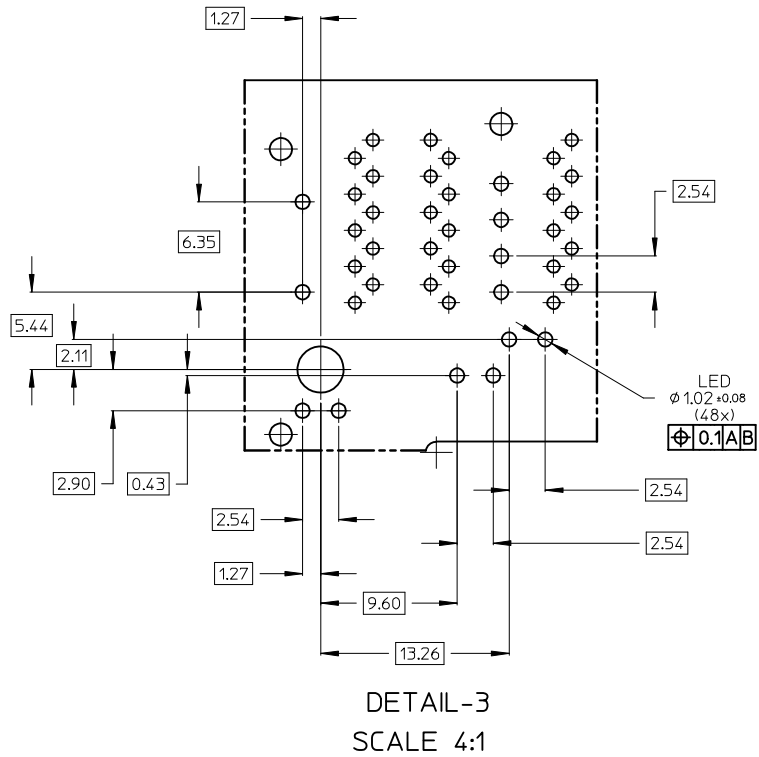
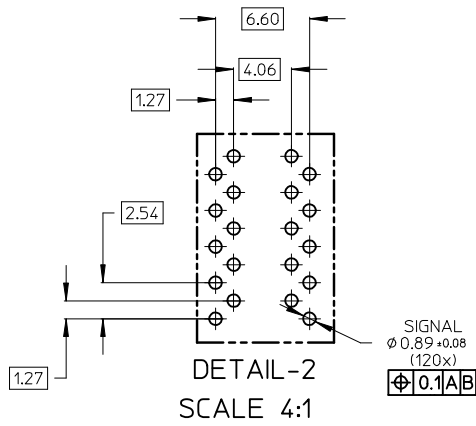
DETAIL-4  
SCALE 4:1



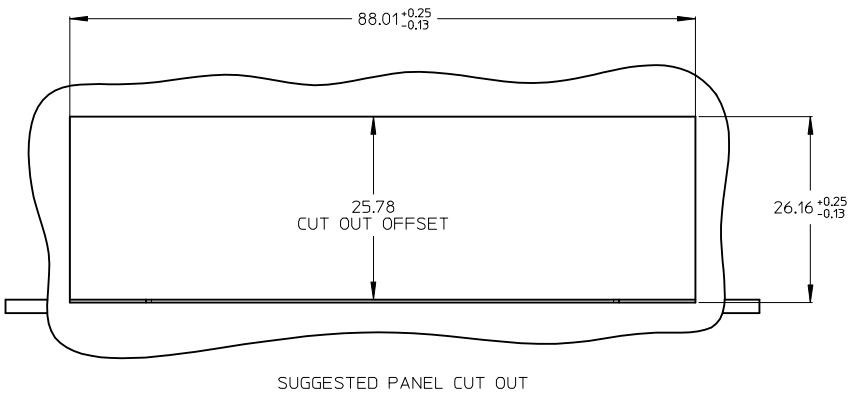
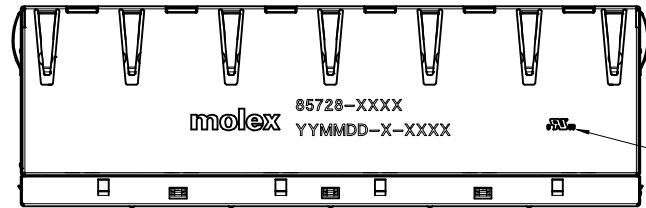
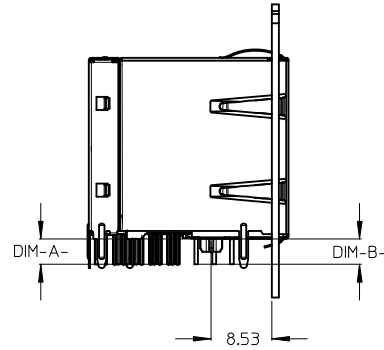
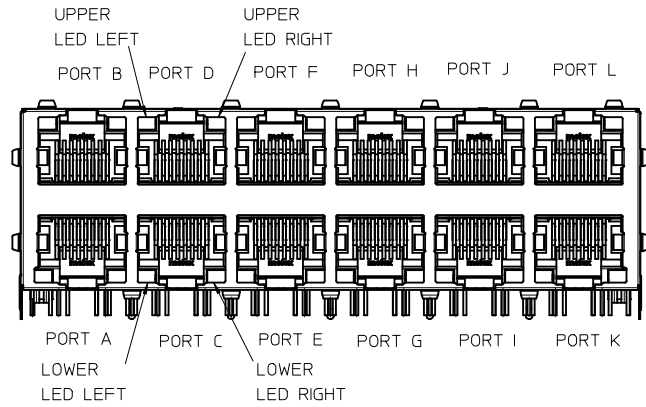
**NOTES:**

- 1 - SHIELD MATERIAL: BRASS, PLATING: NICKEL PRE-PLATING
- 2 - PLASTIC MATERIAL: POLYESTER (PBT), BLACK, UL 94V-0
- 3 - RJ45 TERMINALS MATERIAL: COPPER ALLOY  
CONTACT AREA PLATING: 0.76 MICROMETER GOLD OVER 1.9 MICROMETER NICKEL  
PHY TERMINALS: TIN PLATED
- 4 - MATING INTERFACE ACCORDING TO IEC 60603-7
- 5 - PRODUCT SPECIFICATION: PS-85728-001
- 6 - PACKAGING SPECIFICATION: PK-85728-001
- 7 - TRACES WITHOUT INSULATION NOT ALLOWED IN THE DASHED AREAS.  
(TO AVOID SHORTS TO SHIELD)
- 8 - STAND OFF TO SYSTEM BOARD
- 9 - STUB PINS AND SHIELD LATCHES; AVOID TO ROUTE TRACES OR TO PLACE ANY  
VIAS OR PADS BELOW THESE PINS
- 10 - FOR MAGNETIC AND LED INFORMATIIN SEE SPEC PS-85728-001

NO CHANGE IEC NO: 2015/10/05 DRWN: JBADER 2015/10/05 CHKD: MMANGARUDOV 2015/10/05 APPR: SSTEINKE 2016/04/21	QUALITY SYMBOLS	GENERAL TOLERANCES (UNLESS SPECIFIED)	DIMENSION STYLE	SCALE	DESIGN UNITS	THIRD ANGLE PROJECTION
	$\nabla=0$ $\nabla=0$	mm    INCH 4 PLACES ± --- ± --- 3 PLACES ± --- ± --- 2 PLACES ± 0.25 ± --- 1 PLACE ± 0.5 ± --- ANGULAR ± 1°	MM ONLY DRAWN BY: MMANGARUDOV    DATE: 2010/03/19 CHECKED BY: JBADER    DATE: 2010/03/22 APPROVED BY: SSTEINKE    DATE: 2010/05/11	2:1	METRIC	
	DRAFT WHERE APPLICABLE MUST REMAIN WITHIN DIMENSIONS	SEE SHEET 3 SIZE A2	GIGABIT MAGNETIC JACK 2X6 LED		MOLEX INCORPORATED	DOCUMENT NO. SD-85728-001 SHEET NO. 1 OF 4
	THIS DRAWING CONTAINS INFORMATION THAT IS PROPRIETARY TO MOLEX INCORPORATED AND SHOULD NOT BE USED WITHOUT WRITTEN PERMISSION					



NO CHANGE	EC NO:	2015/10/05	QUALITY SYMBOLS ▽=0 ▽=0	GENERAL TOLERANCES (UNLESS SPECIFIED)		DIMENSION STYLE MM ONLY		SCALE 2:1	DESIGN UNITS METRIC	THIRD ANGLE PROJECTION	
	DRWN:	JBADER		mm	INCH	DRAWN BY	DATE	TITLE	GIGABIT MAGNETIC JACK 2X6 LED		
	CHKD:	MMANGARUDOV		± ---	± ---	MMANGARUDOV	2010/03/19				
	APPR:	SSTE INKE		± 0.25	± ---	CHECKED BY	DATE				
REV	DESCRIPTION	± 0.5	± ---	APPROVED BY	DATE	MATERIAL NO.		DOCUMENT NO.			
		ANGULAR	± 1 °	DRAFT WHERE APPLICABLE MUST REMAIN WITHIN DIMENSIONS		SEE SHEET 3		MOLEX INCORPORATED		SHEET NO. 2 OF 4	
						THIS DRAWING CONTAINS INFORMATION THAT IS PROPRIETARY TO MOLEX INCORPORATED AND SHOULD NOT BE USED WITHOUT WRITTEN PERMISSION		SD-85728-001			



PART NUMBER	UPPER & LOWER LED LEFT		UPPER & LOWER LED RIGHT		DIMENSION -A- FOR SIGNAL PIN LENGTH	DIMENSION -B- FOR LED PIN LENGTH
85728-1001	COLOUR 1	GREEN	COLOUR 1	GREEN	3,56	3,56
85728-1002	COLOUR 1	GREEN	COLOUR 1	GREEN	3,56	3,56
	COLOUR 2	ORANGE				
85728-1003	COLOUR 1	GREEN	COLOUR 1	YELLOW	3,56	3,56
85728-1004	COLOUR 1	GREEN	COLOUR 1	GREEN	3,56	3,56
	COLOUR 2	ORANGE	COLOUR 2	ORANGE		
85728-1006	COLOUR 1	GREEN	COLOUR 1	ORANGE	3,56	3,56
85728-1008	COLOUR 1	GREEN	COLOUR 1	GREEN	3,56	3,56
	COLOUR 2	YELLOW	COLOUR 2	YELLOW		
85728-1012	COLOUR 1	YELLOW	COLOUR 1	YELLOW	3,56	3,56
	COLOUR 2	GREEN	COLOUR 2	GREEN		
85728-1013	COLOUR 1	YELLOW	COLOUR 1	GREEN	3,56	3,56
	COLOUR 2	GREEN				
85728-1014	COLOUR 1	YELLOW	COLOUR 1	GREEN	3,56	3,56
85728-1016	COLOUR 1	GREEN	COLOUR 1	GREEN	3,56	3,56
			COLOUR 2	YELLOW		

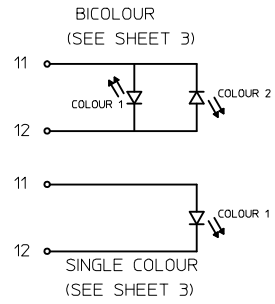
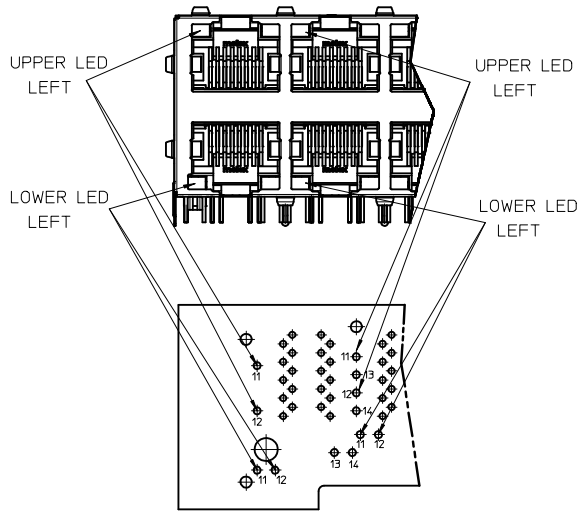
85728-3001	COLOUR 1	GREEN	COLOUR 1	GREEN	2,2	3,56
------------	----------	-------	----------	-------	-----	------

85728-4001	COLOUR 1	GREEN	COLOUR 1	GREEN	2,5	3,56
------------	----------	-------	----------	-------	-----	------

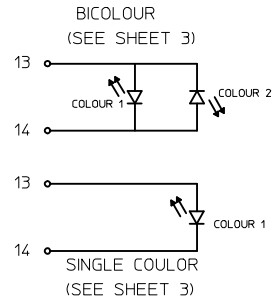
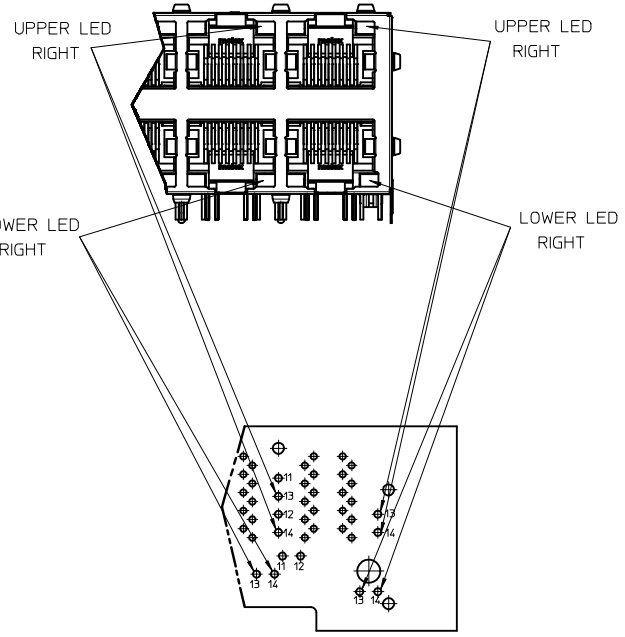
ADDITIONAL LED COLOURS AND CONFIGURATIONS  
AVAILABLE ON REQUEST

- NOTES:  
 1 - PRINTING MARKED BY LASER  
 2 - INSCRIPTION:  
 1st LINE: PART NUMBER  
 2nd LINE: DATE CODE (YEAR,MONTH,DAY) - MANUFACTURER ID - COSECUTIVE NUMBER  
 3 - UL LOGO

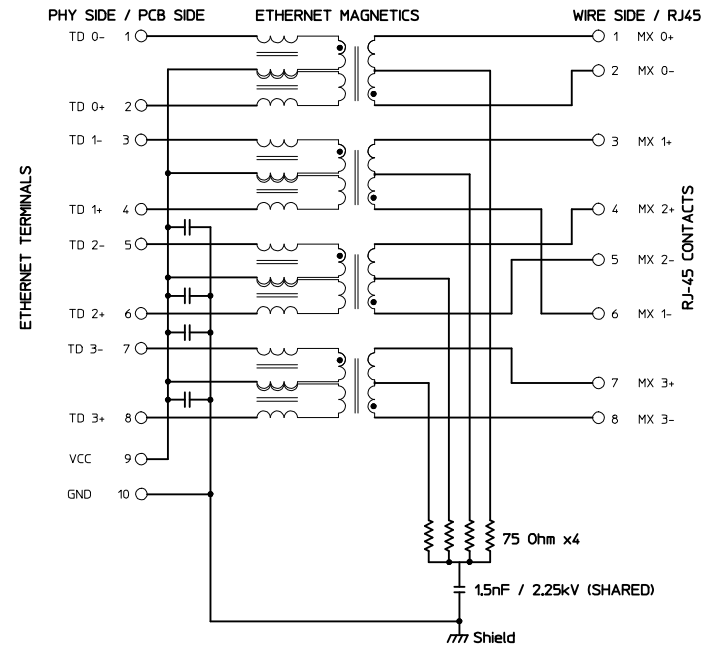
<b>NEW P/N 85728-4001</b> EC NO: 2015/10/05 DRWN: JBADER 2015/10/05 CHKD: MMANGARUDOV 2015/10/05 APPR: SSTE INKE 2016/04/21	QUALITY SYMBOLS	GENERAL TOLERANCES (UNLESS SPECIFIED)	DIMENSION STYLE	SCALE	DESIGN UNITS	THIRD ANGLE PROJECTION															
	$\nabla=0$ $\nabla=0$	<table border="1"> <thead> <tr> <th></th> <th>mm</th> <th>INCH</th> </tr> </thead> <tbody> <tr> <td>4 PLACES</td> <td>± ---</td> <td>± ---</td> </tr> <tr> <td>3 PLACES</td> <td>± ---</td> <td>± ---</td> </tr> <tr> <td>2 PLACES</td> <td>± 0.25</td> <td>± ---</td> </tr> <tr> <td>1 PLACE</td> <td>± 0.5</td> <td>± ---</td> </tr> </tbody> </table>		mm	INCH	4 PLACES	± ---	± ---	3 PLACES	± ---	± ---	2 PLACES	± 0.25	± ---	1 PLACE	± 0.5	± ---	MM ONLY	2:1	METRIC	
		mm	INCH																		
	4 PLACES	± ---	± ---																		
3 PLACES	± ---	± ---																			
2 PLACES	± 0.25	± ---																			
1 PLACE	± 0.5	± ---																			
DESCRIPTION	DRAWN BY	DATE	TITLE	<b>GIGABIT MAGNETIC JACK 2X6 LED</b>																	
	MMANGARUDOV	2010/03/19																			
	CHECKED BY	DATE		<b>MOLEX INCORPORATED</b>																	
	JBADER	2010/03/22																			
	APPROVED BY	DATE		DOCUMENT NO. <b>SD-85728-001</b>																	
	SSTE INKE	2010/05/11																			
	MATERIAL NO.			SHEET NO. <b>3 OF 4</b>																	
	DRAFT WHERE APPLICABLE MUST REMAIN WITHIN DIMENSIONS		SEE BOM																		
	THIS DRAWING CONTAINS INFORMATION THAT IS PROPRIETARY TO MOLEX INCORPORATED AND SHOULD NOT BE USED WITHOUT WRITTEN PERMISSION																				



UPPER & LOWER LEFT LED		
PIN POSITION	COLOUR 1	COLOUR 2
11	+	-
12	-	+



UPPER & LOWER RIGHT LED		
PIN POSITION	COLOUR 1	COLOUR 2
13	+	-
14	-	+



PIN#	ETHERNET SIGNAL
1	TD 0+
2	TD 0-
3	TD 1+
4	TD 1-
5	TD 2+
6	TD 2-
7	TD 3+
8	TD 3-
9	Vcc
10	GND

<b>SCHEMATIC UPDATED</b> EC NO: 2015/10/05 DRWN: JBADER CHKD: MMANGARDOV 2015/10/05 APPR: SSTE INKE 2016/04/21	QUALITY SYMBOLS ▽=0 ▽=0	GENERAL TOLERANCES (UNLESS SPECIFIED) <table border="1"> <tr> <td></td> <td>mm</td> <td>INCH</td> </tr> <tr> <td>4 PLACES</td> <td>± 0.25</td> <td>± 0.010</td> </tr> <tr> <td>3 PLACES</td> <td>± 0.25</td> <td>± 0.010</td> </tr> <tr> <td>2 PLACES</td> <td>± 0.25</td> <td>± 0.010</td> </tr> <tr> <td>1 PLACE</td> <td>± 0.5</td> <td>± 0.020</td> </tr> </table> ANGULAR ± 1°		mm	INCH	4 PLACES	± 0.25	± 0.010	3 PLACES	± 0.25	± 0.010	2 PLACES	± 0.25	± 0.010	1 PLACE	± 0.5	± 0.020	DIMENSION STYLE <b>MM ONLY</b> DRAWN BY: MMANGARDOV 2010/03/19 DATE: 2010/03/19 CHECKED BY: JBADER 2010/03/22 DATE: 2010/03/22 APPROVED BY: SSTE INKE 2010/05/11 DATE: 2010/05/11 MATERIAL NO.	SCALE: 2:1 DESIGN UNITS: METRIC THIRD ANGLE PROJECTION
		mm	INCH																
	4 PLACES	± 0.25	± 0.010																
	3 PLACES	± 0.25	± 0.010																
2 PLACES	± 0.25	± 0.010																	
1 PLACE	± 0.5	± 0.020																	
DRAFT WHERE APPLICABLE MUST REMAIN WITHIN DIMENSIONS			TITLE: GIGABIT MAGNETIC JACK 2X6 LED																
SEE SHEET 3			MOLEX INCORPORATED																
SIZE: A2			DOCUMENT NO. SD-85728-001 SHEET NO. 4 OF 4																