



Chipsmall Limited consists of a professional team with an average of over 10 year of expertise in the distribution of electronic components. Based in Hongkong, we have already established firm and mutual-benefit business relationships with customers from,Europe,America and south Asia,supplying obsolete and hard-to-find components to meet their specific needs.

With the principle of “Quality Parts,Customers Priority,Honest Operation,and Considerate Service”,our business mainly focus on the distribution of electronic components. Line cards we deal with include Microchip,ALPS,ROHM,Xilinx,Pulse,ON,Everlight and Freescale. Main products comprise IC,Modules,Potentiometer,IC Socket,Relay,Connector.Our parts cover such applications as commercial,industrial, and automotives areas.

We are looking forward to setting up business relationship with you and hope to provide you with the best service and solution. Let us make a better world for our industry!



Contact us

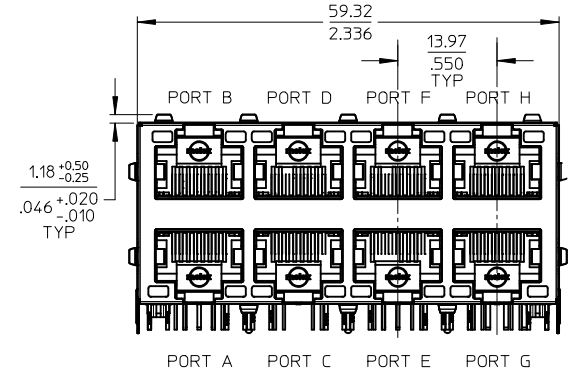
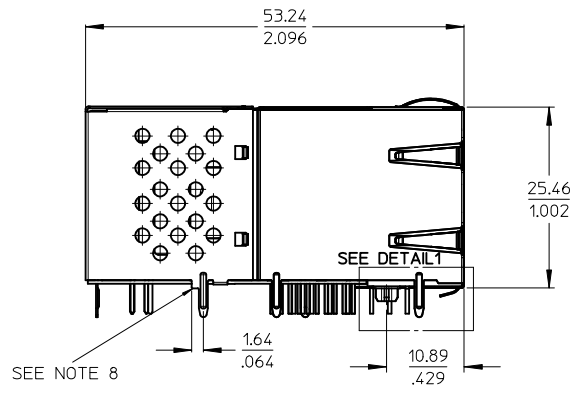
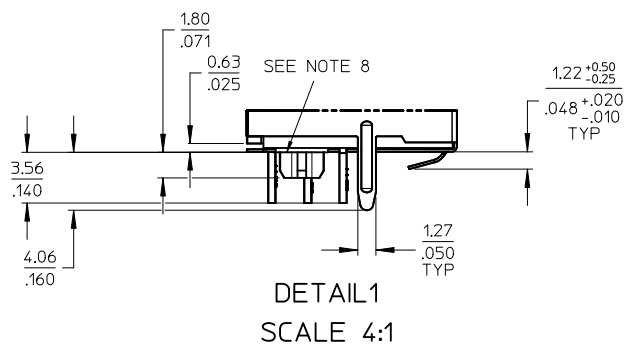
Tel: +86-755-8981 8866 Fax: +86-755-8427 6832

Email & Skype: info@chipsmall.com Web: www.chipsmall.com

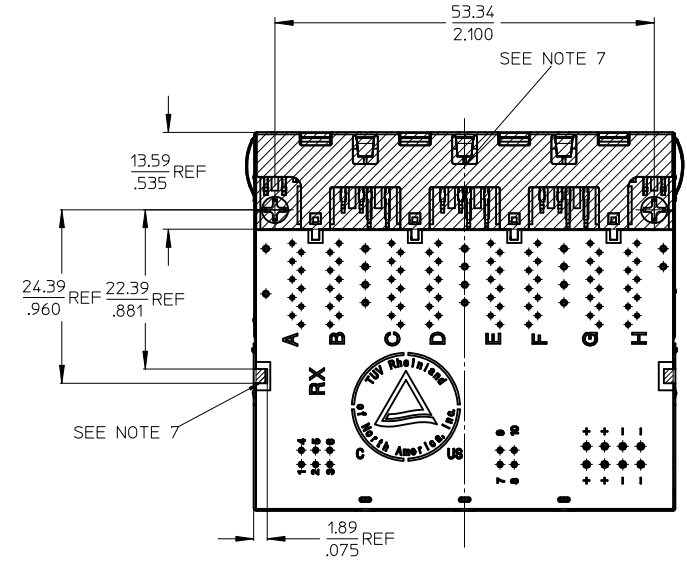
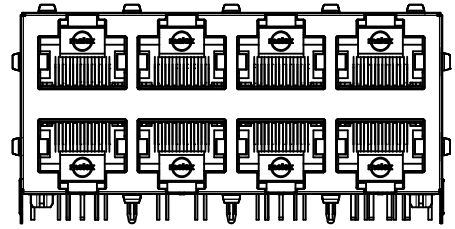
Address: A1208, Overseas Decoration Building, #122 Zhenhua RD., Futian, Shenzhen, China



FRONT VIEW HYPER JACK 1000 POE+ ICM LED VERSION P/N 85729-0101



FRONT VIEW HYPERJACK 1000 POE+ ICM NON LED VERSION P/N 85729-0102



P / N	VERSION
85729-0101	LED VERSION
85729-0102	NON LED VERSION

- NOTES:
- SHIELD MATERIAL: BRASS, PLATING: NICKEL PRE-PLATING
 - PLASTIC MATERIAL: POLYESTHER (PBT) BLACK, 30%GR, UL 94V-0
 - TERMINALS MATERIAL: COPPER ALLOY
RJ45 CONTACT PLATING: 0.76 MICROMETER GOLD OVER 1.9 MICROMETER NICKEL
SOLDER TERMINALS: 3 MICROMETER TIN
 - JACK TO BE MATED WITH FCC 68.5 PLUGS
 - PRODUCT SPECIFICATION: RPS-85719-001
 - PACKAGING SPECIFICATION: PK-85729-101
 - TRACES WITHOUT INSULATION NOT ALLOWED IN THE DASHED AREAS.
(TO AVOID SHORTS TO SHIELD)
 - STAND OFF TO SYSTEM BOARD

ENTER DESCRIPTION EC NO: MG2011-0049 DRWN: JBADER 2010/11/22 CHKD: MMANGARUDOV 2011/02/09 APPR: SSTE INKE 2012/02/28	QUALITY SYMBOLS ▽=0 ▽=0	GENERAL TOLERANCES (UNLESS SPECIFIED)		DIMENSION STYLE MM ONLY		SCALE 2:1	DESIGN UNITS METRIC	THIRD ANGLE PROJECTION	
		mm	INCH	DRAWN BY JBADER	DATE 2009/03/12	TITLE HYPERJACK 1000 POE+ PSE ICM 2X4	MATERIAL NO. SD-85729-101		SHEET NO. 1 OF 3
A		4 PLACES ± .005	± .005	3 PLACES ± .005	± .005	CHECKED BY MMANGARUDOV	DATE 2009/03/12	MOLEX INCORPORATED	
		2 PLACES ± 0.25	± .010	1 PLACE ± 0.5	± .020	APPROVED BY SSTE INKE	DATE 2009/03/12	DOCUMENT NO. SD-85729-101	
		ANGULAR ± .5 °		DRAFT WHERE APPLICABLE MUST REMAIN WITHIN DIMENSIONS		SEE BOM		THIS DRAWING CONTAINS INFORMATION THAT IS PROPRIETARY TO MOLEX INCORPORATED AND SHOULD NOT BE USED WITHOUT WRITTEN PERMISSION	

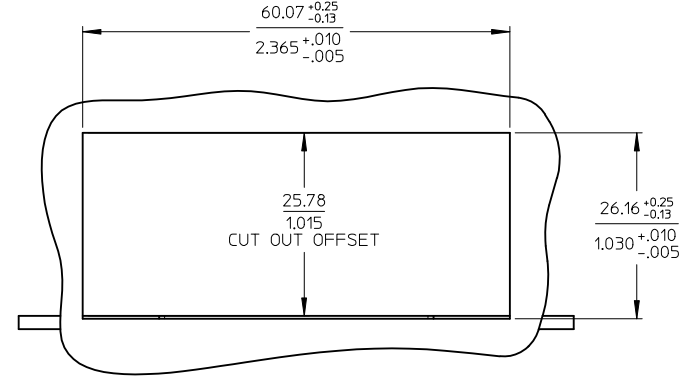
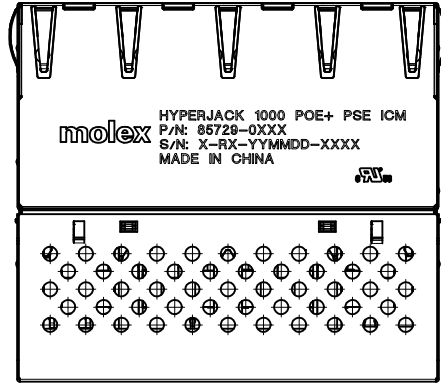
PRINTING
LED VERSION

HYPERJACK 1000 POE+ PSE ICM
P/N: 85729-0101
S/N: X-RX-YYMMDD-XXXX
MADE IN CHINA

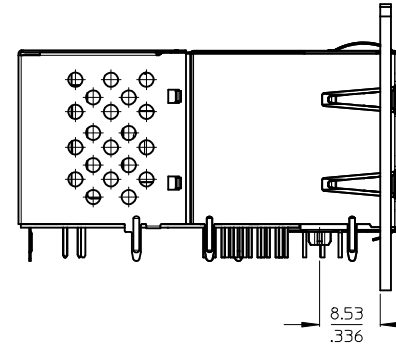
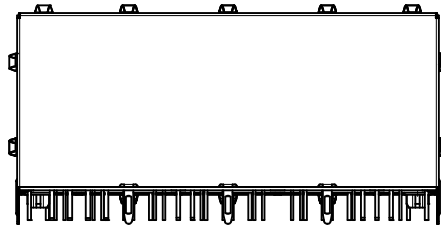
PRINTING
NON LED VERSION

HYPERJACK 1000 POE+ PSE ICM
P/N: 85729-0102
S/N: X-RX-YYMMDD-XXXX
MADE IN CHINA

PRINTING



SUGGESTED PANEL CUT OUT



NOTES:

- 1 - PRINTING MARKED BY LASER
- 2 - INSCRIPTION:
 - 1st LINE: PART NAME
 - 2nd LINE: PART NUMBER
 - 3rd LINE: SERIES NUMBER -> MANUFACTURER ID - CONNECTOR REVISION - DATE CODE (YEAR, MONTH, DAY) - CONSECUTIVE NUMBER
 - 4th LINE: COUNTRY OF ORIGIN
- 3 - UL LOGO (OPTIONAL)

ENTER DESCRIPTION EC NO: MG2011-0049 DRWN: JBADER 2010/11/22 CHKD: MMANGARUDOV 2011/02/09 APPR: SSTE INKE 2012/02/28	QUALITY SYMBOLS ▽=0 ▽=0	GENERAL TOLERANCES (UNLESS SPECIFIED)		DIMENSION STYLE MM ONLY		SCALE 2:1	DESIGN UNITS METRIC	THIRD ANGLE PROJECTION	
		mm	INCH	DRAWN BY JBADER	DATE 2009/03/12	TITLE HYPERJACK 1000 POE+ PSE ICM 2X4			
A	DESCRIPTION	4 PLACES ± ---	± ---	CHECKED BY MMANGARUDOV	DATE 2009/03/12	MATERIAL NO. SEE SHEET 1			
		3 PLACES ± ---	± ---	APPROVED BY SSTE INKE	DATE 2009/03/12	DOCUMENT NO. SD-85729-101			
		2 PLACES ± 0.25	± ---	DRAFT WHERE APPLICABLE MUST REMAIN WITHIN DIMENSIONS		SHEET NO. 3 OF 3			
		1 PLACE ± 0.5	± ---	THIS DRAWING CONTAINS INFORMATION THAT IS PROPRIETARY TO MOLEX INCORPORATED AND SHOULD NOT BE USED WITHOUT WRITTEN PERMISSION					
		ANGULAR ± .5 °							