



Chipsmall Limited consists of a professional team with an average of over 10 year of expertise in the distribution of electronic components. Based in Hongkong, we have already established firm and mutual-benefit business relationships with customers from,Europe,America and south Asia,supplying obsolete and hard-to-find components to meet their specific needs.

With the principle of “Quality Parts,Customers Priority,Honest Operation,and Considerate Service”,our business mainly focus on the distribution of electronic components. Line cards we deal with include Microchip,ALPS,ROHM,Xilinx,Pulse,ON,Everlight and Freescale. Main products comprise IC,Modules,Potentiometer,IC Socket,Relay,Connector.Our parts cover such applications as commercial,industrial, and automotives areas.

We are looking forward to setting up business relationship with you and hope to provide you with the best service and solution. Let us make a better world for our industry!



Contact us

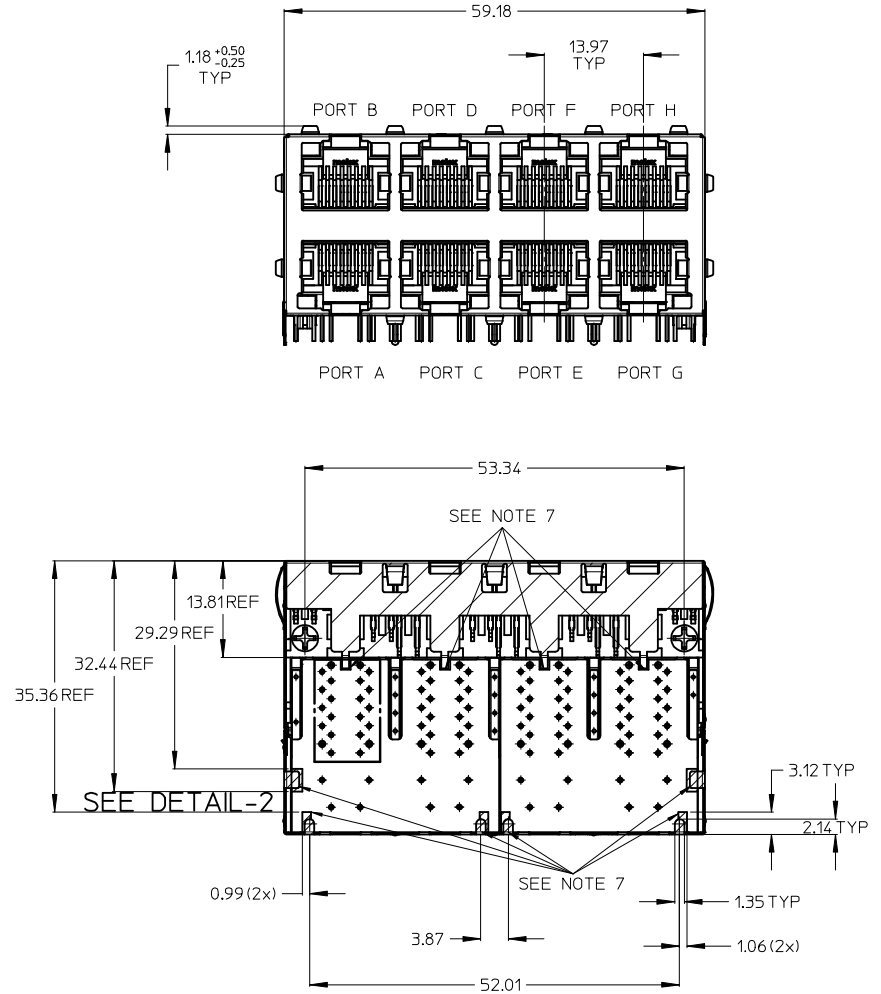
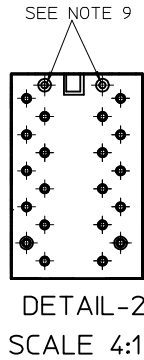
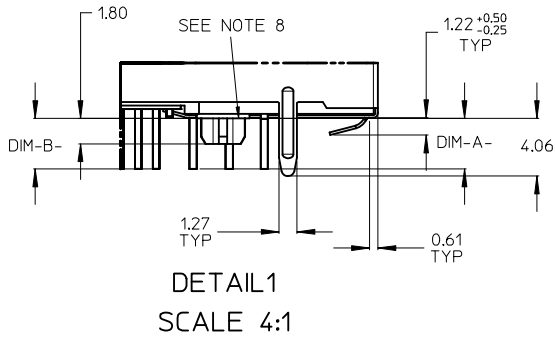
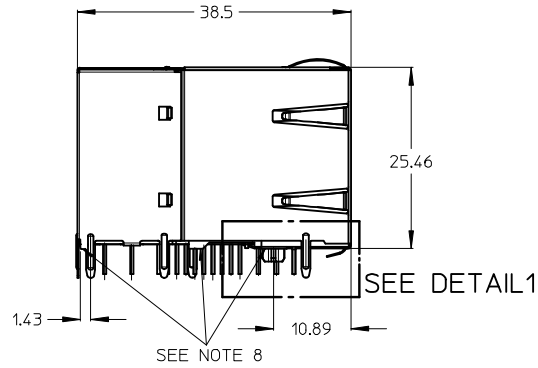
Tel: +86-755-8981 8866 Fax: +86-755-8427 6832

Email & Skype: info@chipsmall.com Web: www.chipsmall.com

Address: A1208, Overseas Decoration Building, #122 Zhenhua RD., Futian, Shenzhen, China



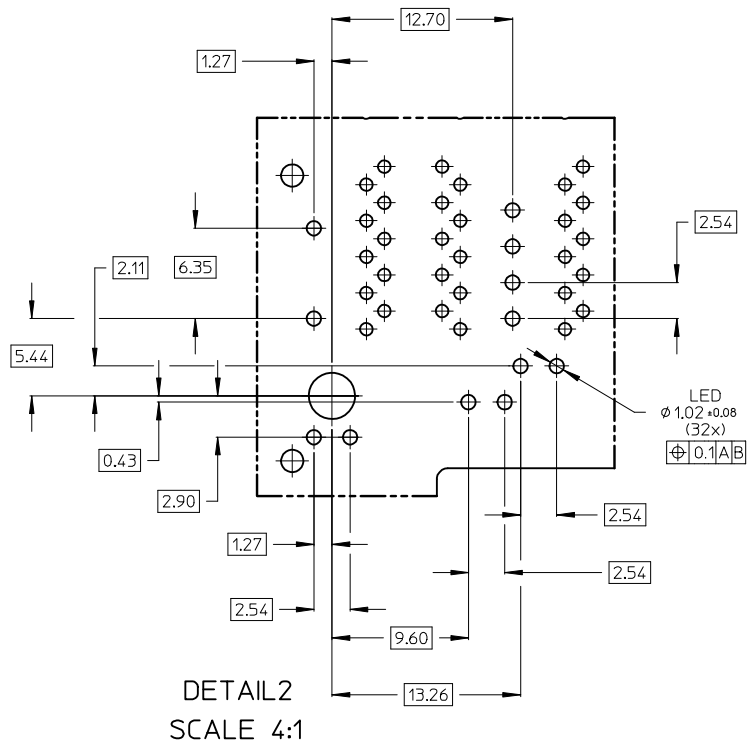
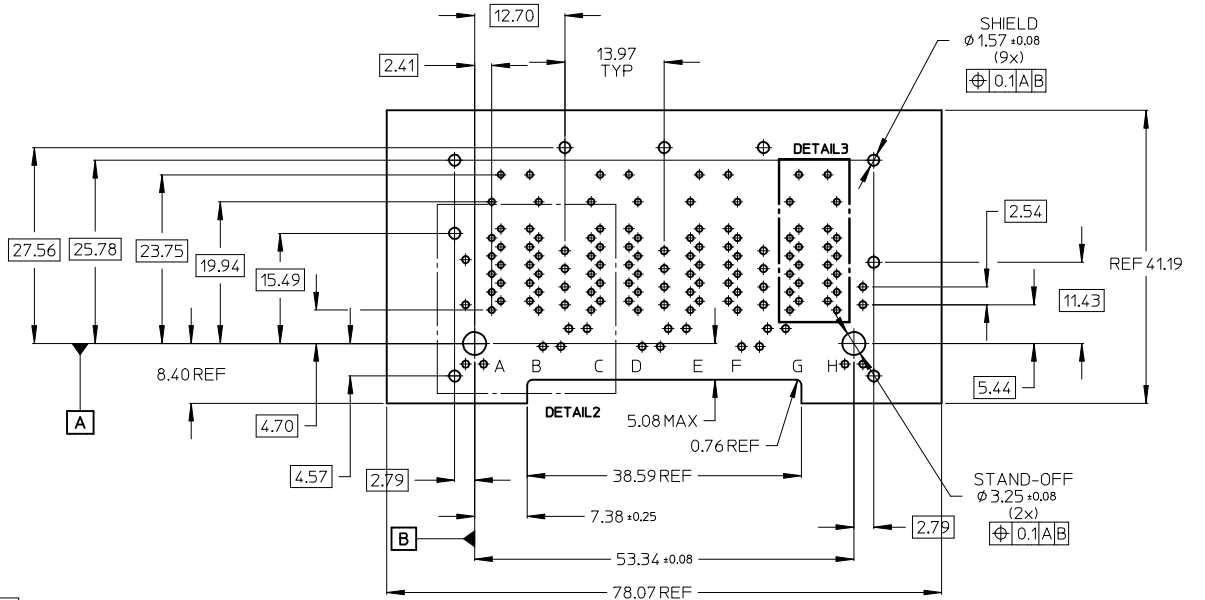
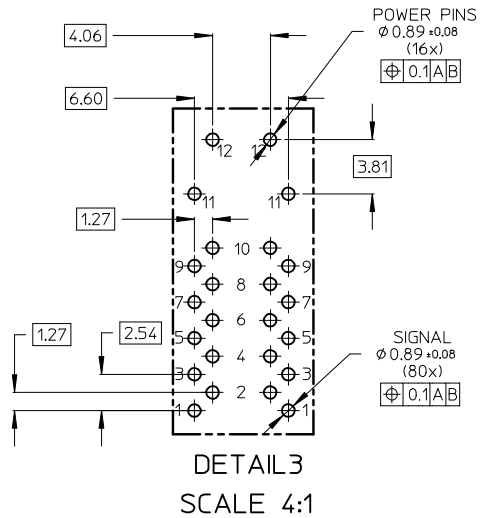
**GIGABIT 8 PORT MAGNETIC JACK WITH LED's
AND INTEGRATED POWER OVER ETHERNET TRANSFORMERS
ACCORDING TO IEEE Std802.3-2012 FOR PSE (30 WATT) APPLICATIONS**



NOTES:

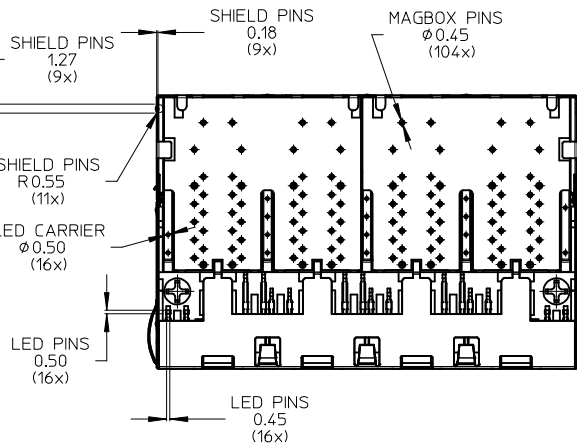
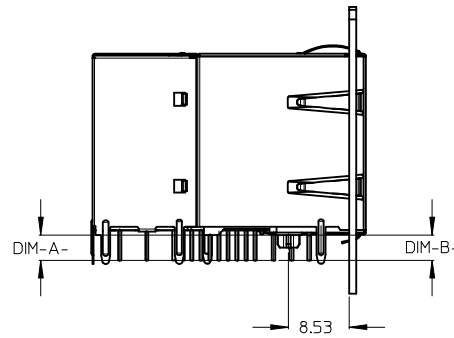
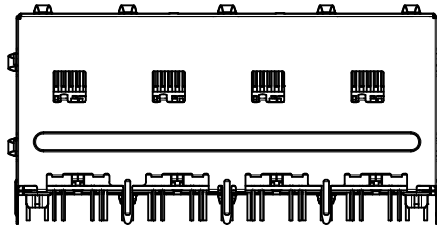
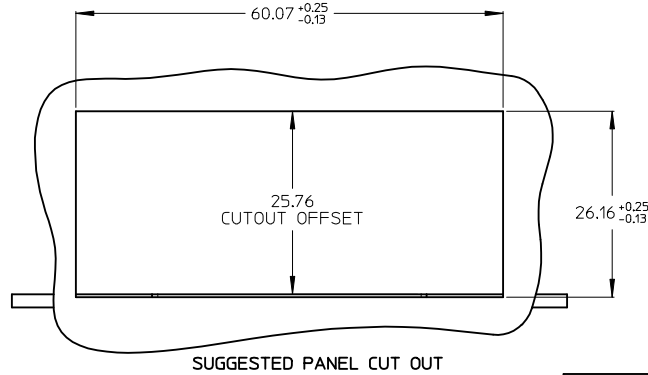
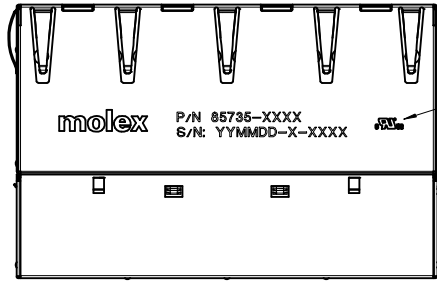
- 1 - SHIELD MATERIAL: BRASS; PLATING: NICKEL PRE-PLATING
- 2 - PLASTIC MATERIAL: POLYESTER (PBT) BLACK, 30%GR, UL 94V-0
- 3 - RJ45 TERMINALS MATERIAL: COPPER ALLOY
CONTACT PLATING: 0.76 MICROMETER GOLD OVER 1.9 MICROMETER NICKEL
PHY TERMINALS: TIN PLATED
- 4 - MATING INTERFACE ACCORDING TO IEC 60603-7
- 5 - PRODUCT SPECIFICATION: PS-85732-001
- 6 - PACKAGING SPECIFICATION: PK-85735-001
- 7 - TRACES WITHOUT INSULATION NOT ALLOWED IN THE DASHED AREAS & LATCHES
(TO AVOID SHORTS TO SHIELD)
- 8 - STAND OFF TO SYSTEM BOARD
- 9 - STUBBED PINS -> AVOID TO ROUTE TRACES OR TO PLACE ANY VIAS OR PADS BELOW THESE PINS
- 10 - FOR MAGNETICS AND LED INFORMATION SEE SPEC PS-85732-001

INCH DIM DELETED	EC NO: 2013/01/09	QUALITY SYMBOLS	GENERAL TOLERANCES (UNLESS SPECIFIED)		DIMENSION STYLE MM ONLY		SCALE 2:1	DESIGN UNITS METRIC	THIRD ANGLE PROJECTION
	DRWN: JBADER 2013/01/09	▽=0	4 PLACES ± --- ± ---	mm	INCH	DRAWN BY	DATE	TITLE	
CHKD: MMANGARUDOV 2013/01/09	▽=0	3 PLACES ± --- ± ---	2 PLACES ± 0.25 ± ---			MMANGARUDOV	2011/12/14	GIGABIT MAGNETIC JACK POE PLUS ENABLED 2X4 LED	
APPR: SSTE INKE 2015/07/08		1 PLACE ± 0.5 ± ---	ANGULAR ± .5 °			CHECKED BY	DATE		
						JBADER	2011/12/22	MOLEX INCORPORATED	
						APPROVED BY	DATE		
						SSTE INKE	2012/12/07		
						MATERIAL NO.		DOCUMENT NO.	
						SEE SHEET 3		SD-85735-101	SHEET NO. 1 OF 4
						THIS DRAWING CONTAINS INFORMATION THAT IS PROPRIETARY TO MOLEX INCORPORATED AND SHOULD NOT BE USED WITHOUT WRITTEN PERMISSION			



INCH DIM DELETED	EC NO: 2013/01/09	QUALITY SYMBOLS	GENERAL TOLERANCES (UNLESS SPECIFIED)		DIMENSION STYLE		SCALE	DESIGN UNITS	THIRD ANGLE PROJECTION
	DRWN: JBADER	▽=0	mm INCH		MM ONLY		2:1	METRIC	☉
	CHKD: MMANGARUDOV	▽=0	4 PLACES ± --- ± ---	3 PLACES ± --- ± ---	DRAWN BY	DATE	TITLE	GIGABIT MAGNETIC JACK POE PLUS ENABLED 2X4 LED	
	APPR: SSTEINKE	DESCRIPTION	2 PLACES ± 0.25 ± ---	1 PLACE ± 0.5 ± ---	MMANGARUDOV	2011/12/14	MOLEX INCORPORATED		
REV		ANGULAR ± .5 °	DRAFT WHERE APPLICABLE MUST REMAIN WITHIN DIMENSIONS		CHECKED BY	DATE	DOCUMENT NO.	SD-85735-101	
					JBADER	2011/12/22		SHEET NO. 2 OF 4	
					APPROVED BY	DATE	THIS DRAWING CONTAINS INFORMATION THAT IS PROPRIETARY TO MOLEX INCORPORATED AND SHOULD NOT BE USED WITHOUT WRITTEN PERMISSION		
					SSTEINKE	2012/12/07			
					MATERIAL NO.	SEE SHEET 3			
					SIZE	A2			

PRINTING
 LED VERSION
 P/N: 85735-XXXX
 S/N: YYMMDD-CM-CONSECUTIVE NUMBER



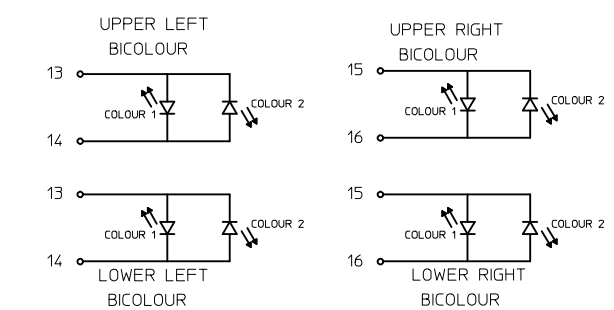
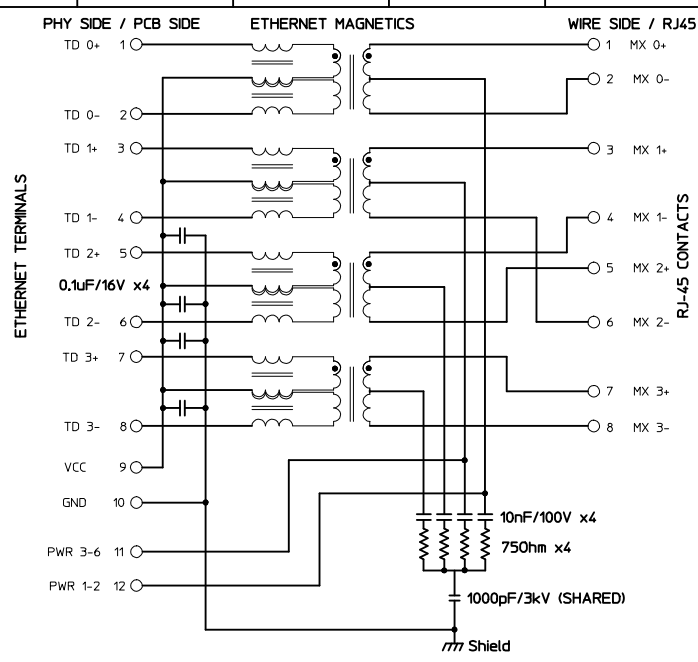
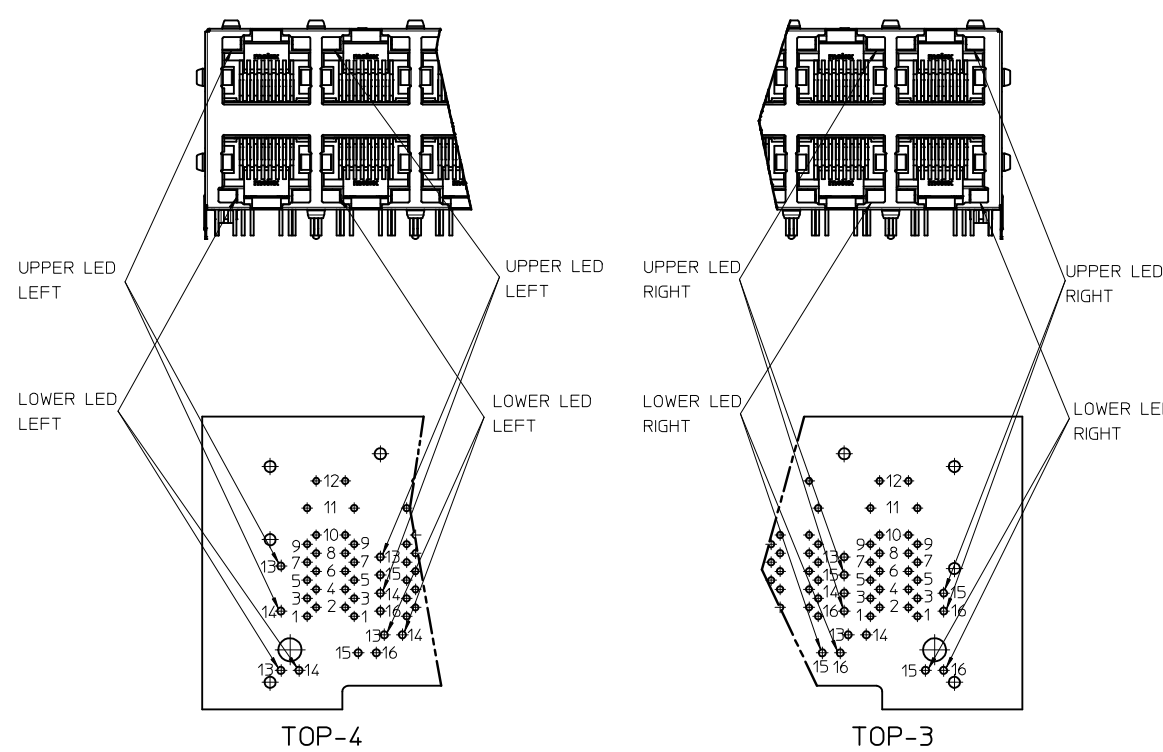
PART NUMBER	UPPER & LOWER LED LEFT		UPPER & LOWER LED RIGHT		DIM-A-SIGNAL PINS	DIM-B-LED PINS
85735-1001	COLOUR 1	GREEN	COLOUR 1	GREEN	3.56MM	3.56MM
	COLOUR 2	-	COLOUR 2	-		
85735-1002	COLOUR 1	GREEN	COLOUR 1	ORANGE	3.56MM	3.56MM
	COLOUR 2	-	COLOUR 2	-		
85735-1003	COLOUR 1	GREEN	COLOUR 1	GREEN	3.56MM	3.56MM
	COLOUR 2	ORANGE	COLOUR 2	-		
85735-1004	COLOUR 1	GREEN	COLOUR 1	GREEN	3.56MM	3.56MM
	COLOUR 2	ORANGE	COLOUR 2	ORANGE		
85735-1006	COLOUR 1	GREEN	COLOUR 1	YELLOW	3.56MM	3.56MM
	COLOUR 2	-	COLOUR 2	-		
85735-1007	COLOUR 1	GREEN	COLOUR 1	GREEN	3.56MM	3.56MM
	COLOUR 2	YELLOW	COLOUR 2	-		
85735-1008	COLOUR 1	GREEN	COLOUR 1	GREEN	3.56MM	3.56MM
	COLOUR 2	YELLOW	COLOUR 2	YELLOW		
85735-1012	COLOUR 1	YELLOW	COLOUR 1	GREEN	3.56MM	3.56MM
	COLOUR 2	GREEN	COLOUR 2	-		
85735-1013	COLOUR 1	YELLOW	COLOUR 1	YELLOW	3.56MM	3.56MM
	COLOUR 2	GREEN	COLOUR 2	GREEN		
85735-1014	COLOUR 1	YELLOW	COLOUR 1	GREEN	3.56MM	3.56MM
	COLOUR 2	-	COLOUR 2	-		

85735-3001	COLOUR 1	GREEN	COLOUR 1	GREEN	2.2MM	3.56MM
	COLOUR 2	-	COLOUR 2	-		

ADDITIONAL LED COLOURS AND CONFIGURATIONS
 ARE AVAILABLE ON REQUEST

- NOTES:
- 1 - PRINTING MARKED BY LASER
 - 2 - INSCRIPTION:
1st LINE: PART NUMBER
2nd LINE: DATE CODE (YEAR, MONTH, DAY) - MANUFACTURER ID - CONSECUTIVE NUMBER
 - 3 - UL LOGO

NEW P/N ADDED	EC NO: 2013/01/09	QUALITY SYMBOLS ▽=0 ▽=0	GENERAL TOLERANCES (UNLESS SPECIFIED)		DIMENSION STYLE MM ONLY		SCALE 2:1	DESIGN UNITS METRIC	THIRD ANGLE PROJECTION
	DRWN: JBADER		mm	INCH	DRAWN BY	DATE	TITLE	GIGABIT MAGNETIC JACK POE PLUS ENABLED 2X4 LED	
	CHKD: MMANGARUDOV		4 PLACES ± --- ± ---	3 PLACES ± --- ± ---	MMANGARUDOV	2011/12/14	MOLEX INCORPORATED		
	APPR: SSTE INKE		2 PLACES ± 0.25 ± ---	1 PLACE ± 0.5 ± ---	CHECKED BY	DATE			
2015/07/08	ANGULAR ± .5 °	DRAFT WHERE APPLICABLE MUST REMAIN WITHIN DIMENSIONS	JBADER	2011/12/22	SD-85735-101				
REV	DESCRIPTION	SIZE A 2		MATERIAL NO. SEE BOM		DOCUMENT NO.		SHEET NO. 3 OF 4	



UPPER POSITION	LOWER POSITION	LEFT COLOUR	LED COLOUR
13	13	+	-
14	14	-	+

UPPER POSITION	LOWER POSITION	RIGHT COLOUR	LED COLOUR
15	15	+	-
16	16	-	+

PIN	ETHERNET MAGNETICS
1	TD 0+
2	TD 0-
3	TD 1+
4	TD 1-
5	TD 2+
6	TD 2-
7	TD 3+
8	TD 3-
9	VCC
10	GND
11	PWR 3-6
12	PWR 1-2

POWER-SUPPLY POLARITY DEFINITION TO ACHIEVE PoE POWER ASSIGNMENT ACCORDING IEEE Std802.3-2012 ALTERNATIVE A:

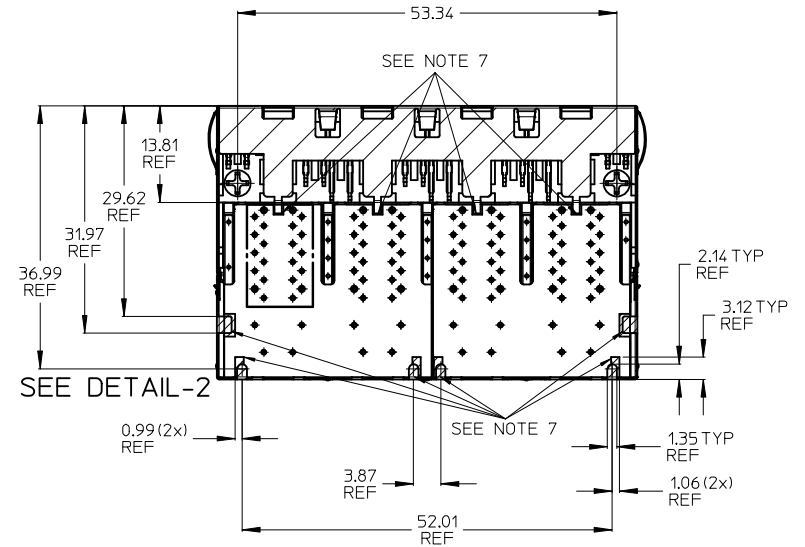
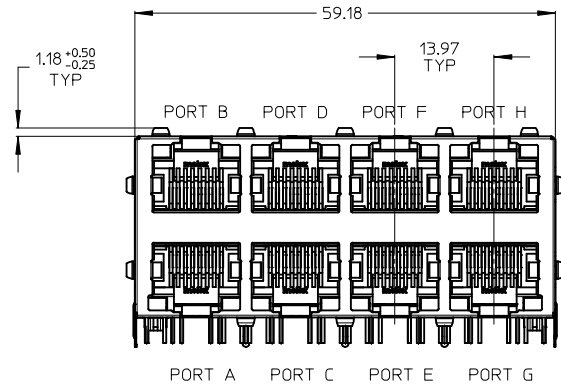
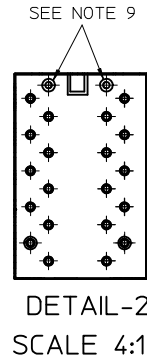
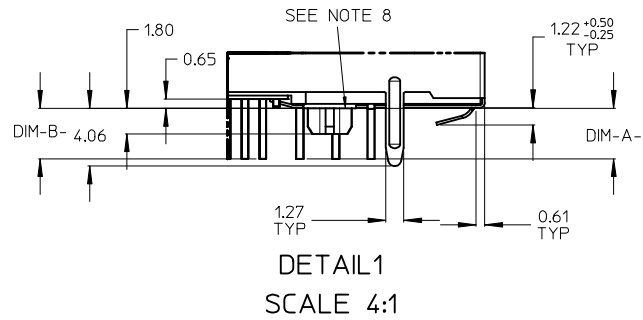
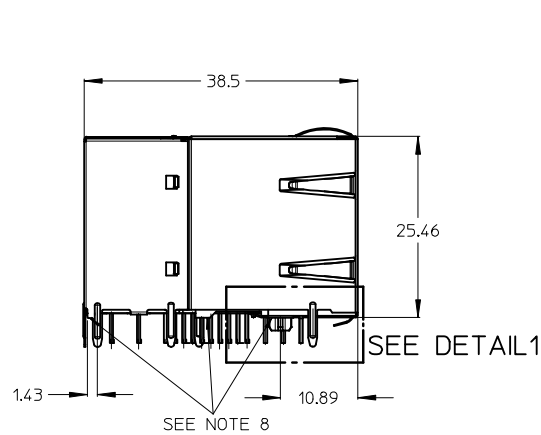
	MDI-X	MDI
PIN 11	Vc +	Vc -
PIN 12	Vc -	Vc +

SCHEMATIC UPDATED EC NO: 2013/01/09 DRWN: JBADER CHKD: MMANGARUDOV 2013/01/09 APPR: SSTE INKE 2015/07/08	QUALITY SYMBOLS ▽=0 ▽=0	GENERAL TOLERANCES (UNLESS SPECIFIED) <table border="1"> <tr> <th></th> <th>mm</th> <th>INCH</th> </tr> <tr> <td>4 PLACES</td> <td>± ---</td> <td>± ---</td> </tr> <tr> <td>3 PLACES</td> <td>± ---</td> <td>± ---</td> </tr> <tr> <td>2 PLACES</td> <td>± 0.25</td> <td>± ---</td> </tr> <tr> <td>1 PLACE</td> <td>± 0.5</td> <td>± ---</td> </tr> </table> ANGULAR ± .5°			mm	INCH	4 PLACES	± ---	± ---	3 PLACES	± ---	± ---	2 PLACES	± 0.25	± ---	1 PLACE	± 0.5	± ---	DIMENSION STYLE MM ONLY	SCALE 2:1	DESIGN UNITS METRIC	THIRD ANGLE PROJECTION
			mm	INCH																		
4 PLACES	± ---	± ---																				
3 PLACES	± ---	± ---																				
2 PLACES	± 0.25	± ---																				
1 PLACE	± 0.5	± ---																				
DRAWN BY: MMANGARUDOV DATE: 2011/12/14 CHECKED BY: JBADER DATE: 2011/12/22 APPROVED BY: SSTE INKE DATE: 2012/12/07	TITLE GIGABIT MAGNETIC JACK POE PLUS ENABLED 2X4 LED			MOLEX INCORPORATED																		
DRAFT WHERE APPLICABLE MUST REMAIN WITHIN DIMENSIONS		MATERIAL NO. SEE SHEET 3		DOCUMENT NO. SD-85735-101		SHEET NO. 4 OF 4																

**GIGABIT 8 PORT MAGNETIC JACK WITH LED'S
AND INTEGRATED POWER OVER ETHERNET TRANSFORMERS
WITHOUT POWER LINE CHOKE
ACCORDING TO IEEE Std802.3-2012 FOR PSE (30 WATT) APPLICATIONS**

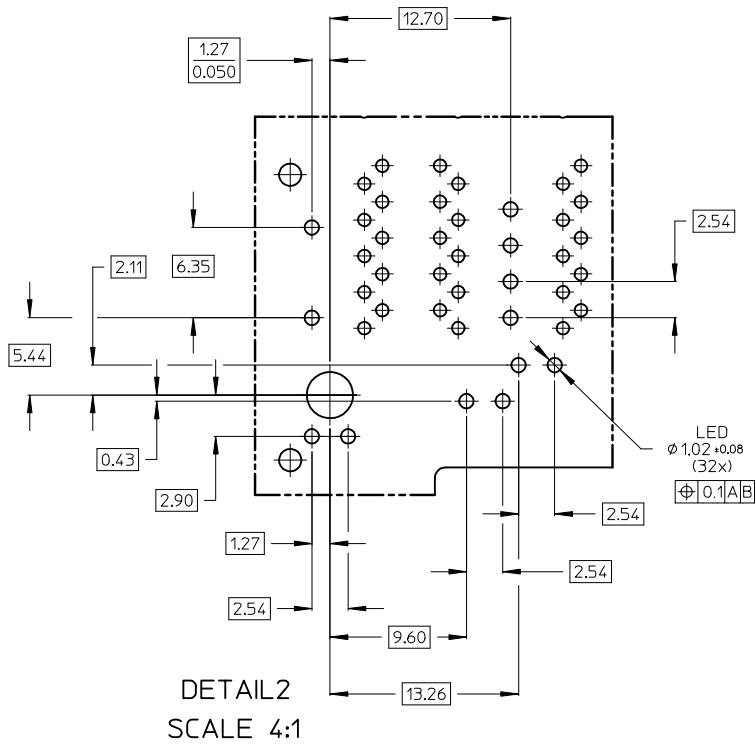
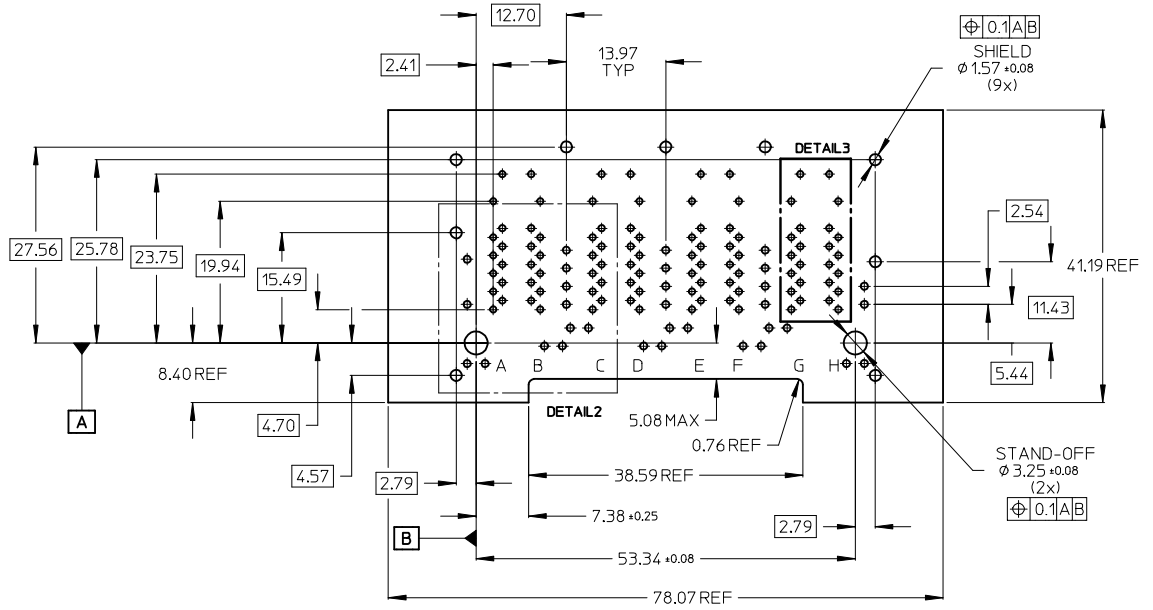
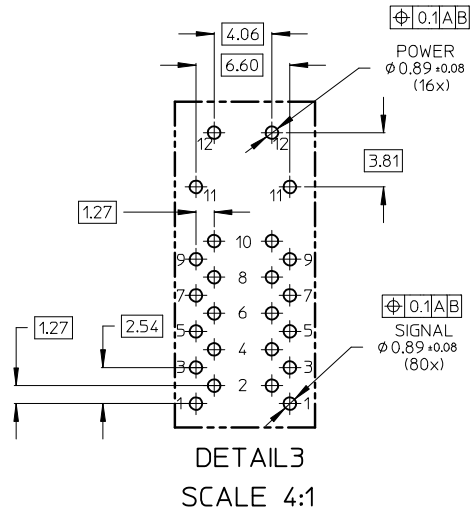
PART NUMBER	UPPER & LOWER LED LEFT		UPPER & LOWER LED RIGHT		LED PIN DIM-A-	SIGNAL PIN DIM-B-
85735-2001	COLOUR 1	GREEN	COLOUR 1	GREEN	3.56 MM	3.56 MM
	COLOUR 2	—	COLOUR 2	—		
85735-2004	COLOUR 1	GREEN	COLOUR 1	GREEN	3.56 MM	3.56 MM
	COLOUR 2	ORANGE	COLOUR 2	ORANGE		

ADDITIONAL LED COLOURS ARE CONFIGURATIONS AVAILABLE ON REQUEST



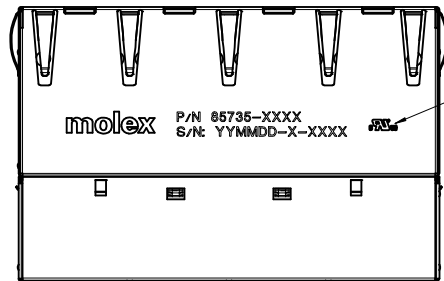
- NOTES:**
- 1 - SHIELD MATERIAL: BRASS; PLATING: NICKEL PRE-PLATING
 - 2 - PLASTIC MATERIAL: POLYESTER (PBT) BLACK, 30%GR, UL 94V-0
 - 3 - RJ45 TERMINALS MATERIAL: COPPER ALLOY
CONTACT PLATING: 0.76 MICROMETER GOLD OVER 1.9 MICROMETER NICKEL
PHY TERMINALS: TIN PLATED
 - 4 - MATING INTERFACE ACCORDING TO IEC 60603-7
 - 5 - PRODUCT SPECIFICATION: PS-85732-001
 - 6 - PACKAGING SPECIFICATION: PK-85735-001
 - 7 - TRACES WITHOUT INSULATION NOT ALLOWED IN THE DASHED AREAS & LATCHES (TO AVOID SHORTS TO SHIELD)
 - 8 - STAND OFF TO SYSTEM BOARD
 - 9 - STUBBED PINS -> AVOID TO ROUTE TRACES OR TO PLACE ANY VIAS OR PADS BELOW THESE PINS
 - 10 - FOR MAGNETICS AND LED INFORMATION SEE SPEC PS-85732-001

INCH DIM DELETED	EC NO: 201501/15	QUALITY SYMBOLS	GENERAL TOLERANCES (UNLESS SPECIFIED)	DIMENSION STYLE	SCALE	DESIGN UNITS	THIRD ANGLE PROJECTION
	DRWN: JBADER 2015/01/15	▽=0	mm INCH	MM ONLY	2:1	METRIC	
	CHKD: MMANGARUDOV 2015/01/15	▽=0	4 PLACES ± --- ± ---	DRAWN BY	DATE	TITLE	
	APPR: SSTEINKE 2015/07/08		3 PLACES ± --- ± ---	JBADER	2013/07/02	GIGABIT MAGNETIC JACK POE PLUS ENABLED 2X4 LED	
		2 PLACES ± 0.25 ± ---	2 PLACES ± 0.25 ± ---	CHECKED BY	DATE		
		1 PLACE ± 0.5 ± ---	1 PLACE ± 0.5 ± ---	MMANGARUDOV	2013/07/02		
		ANGULAR ± .5 °	ANGULAR ± .5 °	APPROVED BY	DATE		
				SSTEINKE	2013/10/31	MOLEX INCORPORATED	
				MATERIAL NO.		DOCUMENT NO.	
				SEE BOM		SD-85735-201	SHEET NO. 1 OF 4
				THIS DRAWING CONTAINS INFORMATION THAT IS PROPRIETARY TO MOLEX INCORPORATED AND SHOULD NOT BE USED WITHOUT WRITTEN PERMISSION			

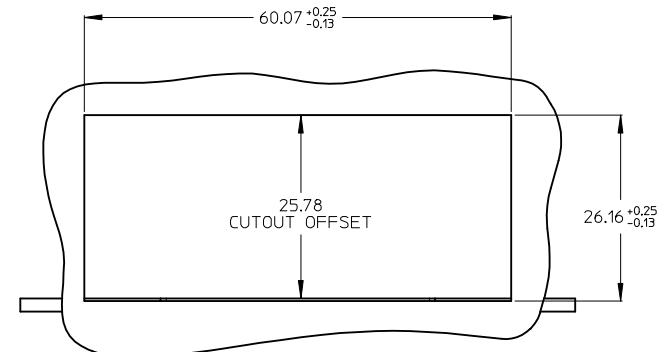


INCH DIM DELETED	EC NO:	20150115	QUALITY SYMBOLS		GENERAL TOLERANCES (UNLESS SPECIFIED)		DIMENSION STYLE		SCALE	DESIGN UNITS	THIRD ANGLE PROJECTION
	DRWN:	JBADER	20150115	▽=0	mm INCH		MM ONLY		2:1	METRIC	
	CHKD:	MMANGARUDOV	20150115	▽=0	4 PLACES ± --- ± ---	DRAWN BY DATE		TITLE		GIGABIT MAGNETIC JACK POE PLUS ENABLED 2X4 LED	
	APPR:	SSTEINKE	20150708		3 PLACES ± --- ± ---	JBADER 2013/07/02					
REV				2 PLACES ± 0.25 ± ---	CHECKED BY DATE				MOLEX INCORPORATED		
				1 PLACE ± 0.5 ± ---	MMANGARUDOV 2013/07/02						
				ANGULAR ± .5 °	APPROVED BY DATE				DOCUMENT NO.		
					SSTEINKE 2013/10/31						
					DRAFT WHERE APPLICABLE MUST REMAIN WITHIN DIMENSIONS		MATERIAL NO.		SD-85735-201		
							SEE SHEET 1		SHEET NO. 2 OF 4		
							SIZE		THIS DRAWING CONTAINS INFORMATION THAT IS PROPRIETARY TO MOLEX INCORPORATED AND SHOULD NOT BE USED WITHOUT WRITTEN PERMISSION		

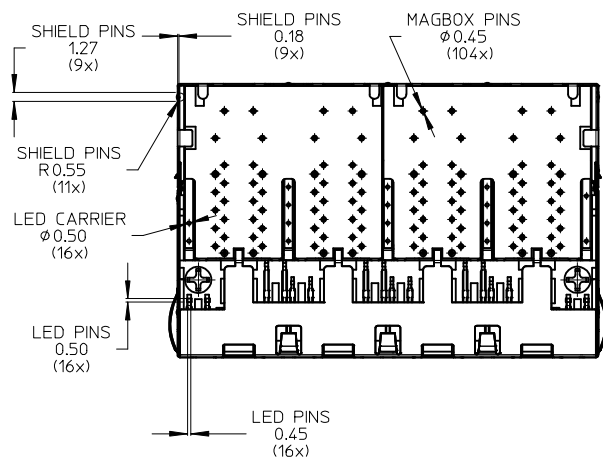
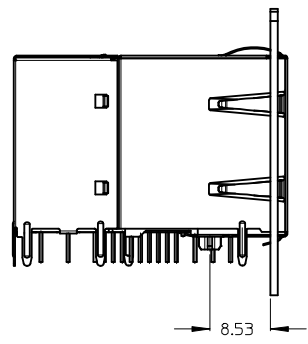
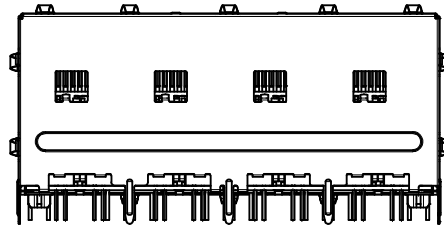
PRINTING
LED VERSION
P/N: 85735-XXXX
S/N: YYMMDD-CM-CONSECUTIVE NUMBER



SEE NOTE 3

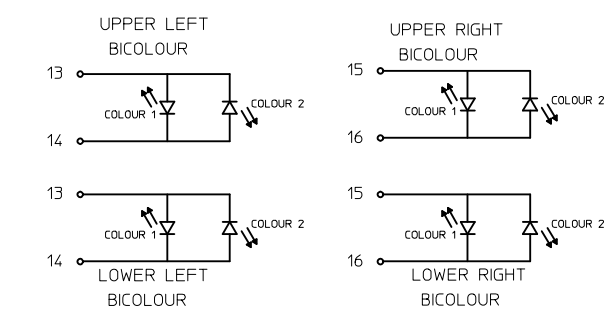
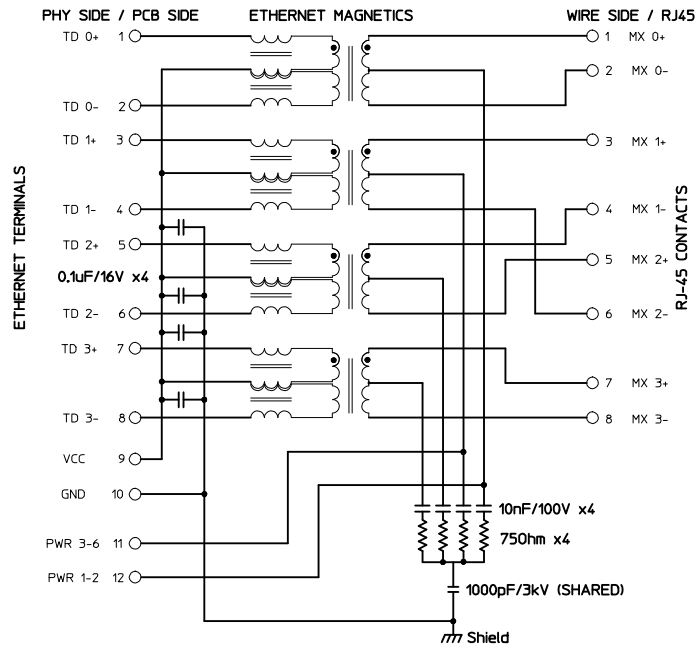
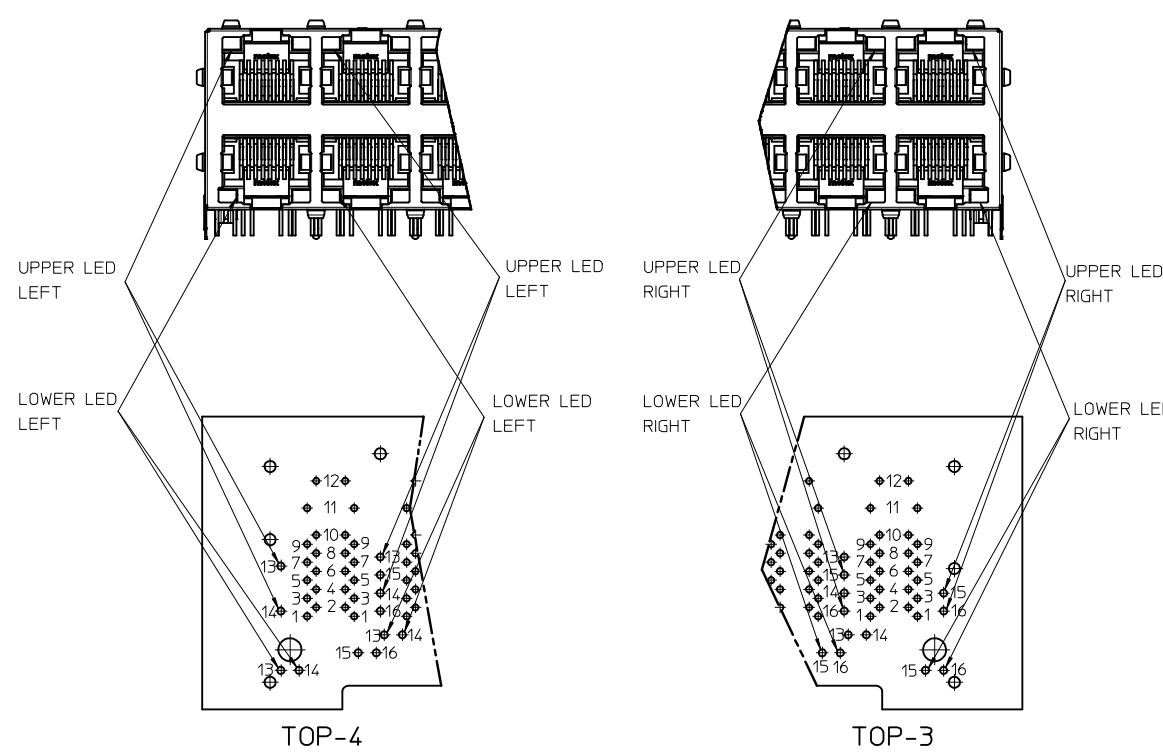


SUGGESTED PANEL CUT OUT



NOTES:
1 - PRINTING MARKED BY LASER
2 - INSCRIPTION:
1st LINE: PART NUMBER
2nd LINE: DATE CODE (YEAR, MONTH, DAY)- MANUFACTURER ID - CONSECUTIVE NUMBER
3 - UL LOGO

INCH DIM DELETED	EC NO: 2015/01/15	QUALITY SYMBOLS	GENERAL TOLERANCES (UNLESS SPECIFIED)		DIMENSION STYLE MM ONLY		SCALE 2:1	DESIGN UNITS METRIC	THIRD ANGLE PROJECTION
	DRWN: JBADER	▽=0	4 PLACES ± --- ± ---	mm INCH	DRAWN BY	DATE	TITLE		
	CHKD: MMANGARUDOV	▽=0	3 PLACES ± --- ± ---		JBADER	2013/07/02	GIGABIT MAGNETIC JACK POE PLUS ENABLED 2X4 LED		
	APPR: SSTEINKE		2 PLACES ± 0.25 ± ---		CHECKED BY	DATE	MOLEX INCORPORATED		
			1 PLACE ± 0.5 ± ---		MMANGARUDOV	2013/07/02	DOCUMENT NO.		
			ANGULAR ± .5 °		APPROVED BY	DATE	SHEET NO.		
					SSTEINKE	2013/10/31	3 OF 4		
					MATERIAL NO.		SD-85735-201		
					SEE SHEET 1		INCORPORATED AND SHOULD NOT BE USED WITHOUT WRITTEN PERMISSION		
					SIZE				
					A 2				



UPPER POSITION	LOWER POSITION	LEFT COLOUR	RIGHT COLOUR
13	13	+	-
14	14	-	+

UPPER POSITION	LOWER POSITION	RIGHT COLOUR	LEFT COLOUR
15	15	+	-
16	16	-	+

POWER-SUPPLY POLARITY DEFINITION TO ACHIEVE PoE POWER ASSIGNMENT ACCORDING IEEE Std802.3-2012 ALTERNATIVE A:

	MDI-X	MDI
PIN 11	Vc +	Vc -
PIN 12	Vc -	Vc +

PIN	ETHERNET MAGNETICS
1	TD 0+
2	TD 0-
3	TD 1+
4	TD 1-
5	TD 2+
6	TD 2-
7	TD 3+
8	TD 3-
9	Vcc
10	GND
11	PWR 3-6
12	PWR 1-2

SCHMATIC UPDATED EC NO: 2015/01/15 DRWN: JBADER CHKD: MMANGARUDOV APPR: SSTEINKE DATE: 2015/01/15 DATE: 2015/07/08	QUALITY SYMBOLS ▽=0 ▽=0	GENERAL TOLERANCES (UNLESS SPECIFIED) 4 PLACES ± --- ± --- 3 PLACES ± --- ± --- 2 PLACES ± 0.25 ± --- 1 PLACE ± 0.5 ± --- ANGULAR ± .5°	DIMENSION STYLE MM ONLY	SCALE 2:1	DESIGN UNITS METRIC	THIRD ANGLE PROJECTION
		DRAWN BY: JBADER DATE: 2013/07/02 CHECKED BY: MMANGARUDOV DATE: 2013/07/02 APPROVED BY: SSTEINKE DATE: 2013/10/31	TITLE GIGABIT MAGNETIC JACK POE PLUS ENABLED 2X4 LED	MATERIAL NO. SEE SHEET 1	DOCUMENT NO. SD-85735-201	SHEET NO. 4 OF 4

DRAFT WHERE APPLICABLE MUST REMAIN WITHIN DIMENSIONS

THIS DRAWING CONTAINS INFORMATION THAT IS PROPRIETARY TO MOLEX INCORPORATED AND SHOULD NOT BE USED WITHOUT WRITTEN PERMISSION