



Chipsmall Limited consists of a professional team with an average of over 10 year of expertise in the distribution of electronic components. Based in Hongkong, we have already established firm and mutual-benefit business relationships with customers from,Europe,America and south Asia,supplying obsolete and hard-to-find components to meet their specific needs.

With the principle of “Quality Parts,Customers Priority,Honest Operation,and Considerate Service”,our business mainly focus on the distribution of electronic components. Line cards we deal with include Microchip,ALPS,ROHM,Xilinx,Pulse,ON,Everlight and Freescale. Main products comprise IC,Modules,Potentiometer,IC Socket,Relay,Connector.Our parts cover such applications as commercial,industrial, and automotives areas.

We are looking forward to setting up business relationship with you and hope to provide you with the best service and solution. Let us make a better world for our industry!



## Contact us

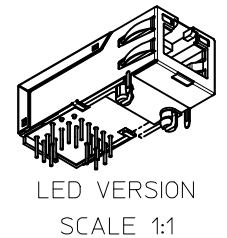
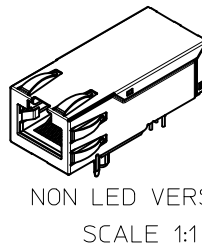
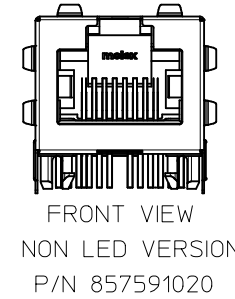
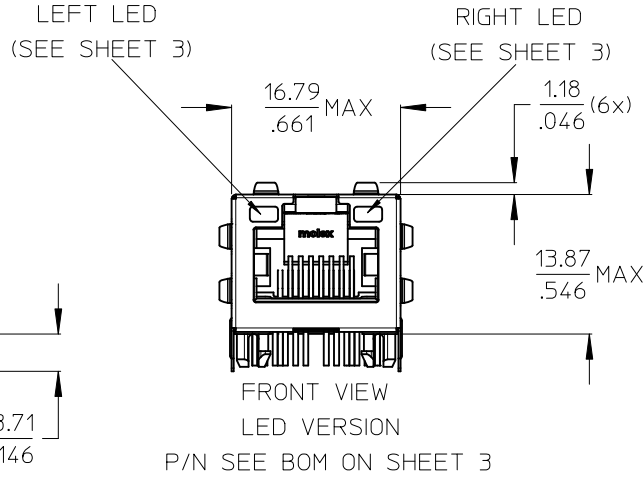
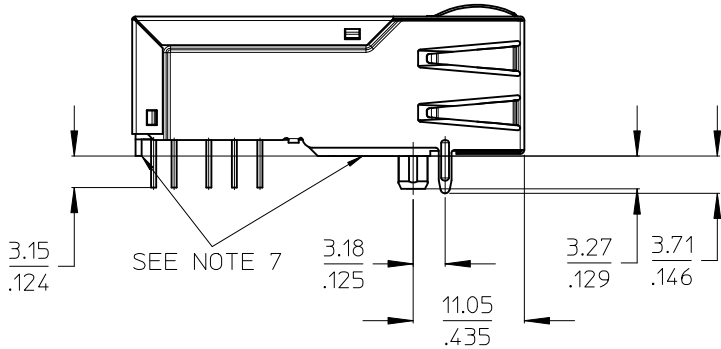
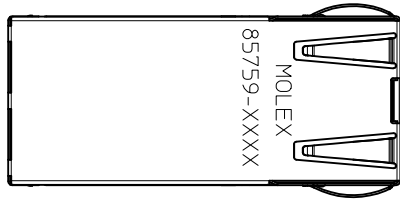
Tel: +86-755-8981 8866 Fax: +86-755-8427 6832

Email & Skype: info@chipsmall.com Web: www.chipsmall.com

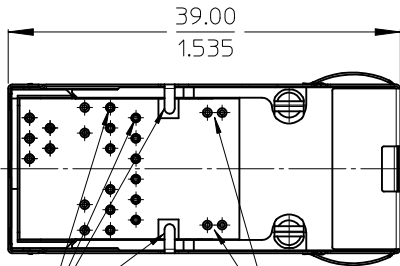
Address: A1208, Overseas Decoration Building, #122 Zhenhua RD., Futian, Shenzhen, China



GIGABIT SINGLE PORT MAGNETIC JACK WITH OR WITHOUT LED<sub>S</sub> AND INTEGRATED POWER OVER ETHERNET PLUS CONTROL CIRCUITRY ACCORDING TO IEEE802.3at



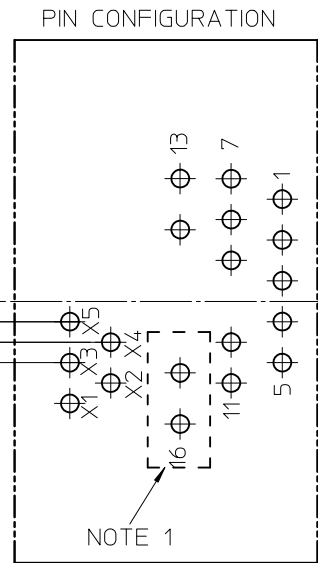
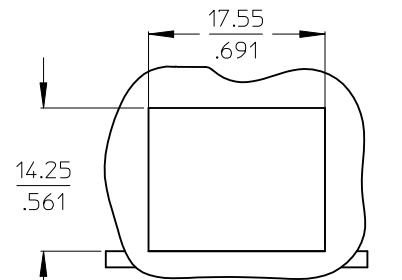
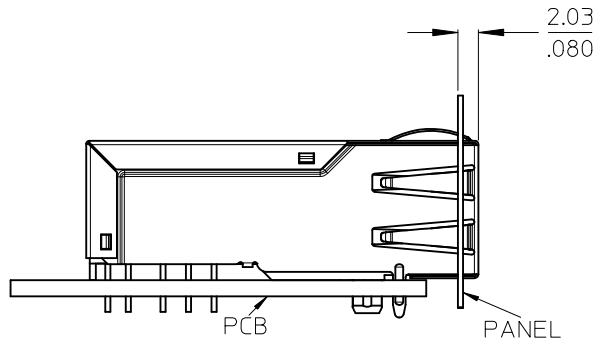
- NOTES:
- 1 - SHIELD MATERIAL: STAINLESS STEEL (GROUND PINS ARE SOLDER DIPPED)
  - 2 - PLASTIC MATERIAL: PBT, BLACK, UL 94V-0
  - 3 - TERMINALS MATERIAL: PHOSPHOR BRONZE RJ45 CONTACT PLATING: 0.76 MICROMETER GOLD OVER 1.9 MICROMETER NICKEL ON MATING AREA SOLDER TERMINALS: 3 MICROMETER TIN
  - 4 - JACK TO BE MATED WITH FCC 68.5 PLUGS / IEC 60603-7 PLUGS
  - 5 - PRODUCT SPECIFICATION: PS-85759-001
  - 6 - PACKAGING SPECIFICATION: PK-85759-001
  - 7 - STAND OFF TO SYSTEM BOARD
  - 8 - STUB PINS AND SHIELD LATCHES: AVOID TO ROUTE TRACES OR TO PLACE ANY VIAS OR PADS BELOW THESE PINS



SEE NOTE 8 SEE NOTE 8

<b>ENTER DESCRIPTION</b> EC NO: MG2011-0042 DRWN:MMANGARUDOV 2010/06/01 CHKD:JBADER 2010/10/28 APPR:SSTEINKE 2010/12/22	QUALITY SYMBOLS ▽=0 ◻=0	GENERAL TOLERANCES (UNLESS SPECIFIED)		DIMENSION STYLE <b>MM ONLY</b>	SCALE <b>2:1</b>	DESIGN UNITS <b>METRIC</b>	THIRD ANGLE PROJECTION	
				DRAWN BY JBADER	DATE 2009/11/13	TITLE <b>HYPERJACK POE PLUS PSE ICM 1X1</b>		
				CHECKED BY MMANGARUDOV	DATE 2010/01/08	MOLEX INCORPORATED		
				APPROVED BY SSTEINKE	DATE 2010/03/09	MATERIAL NO. <b>SEE SHEET 3</b>	DOCUMENT NO. <b>SD-85759-001</b>	SHEET NO. <b>1 OF 3</b>
4	REV	DRAFT WHERE APPLICABLE MUST REMAIN WITHIN DIMENSIONS		THIS DRAWING CONTAINS INFORMATION THAT IS PROPRIETARY TO MOLEX INCORPORATED AND SHOULD NOT BE USED WITHOUT WRITTEN PERMISSION				

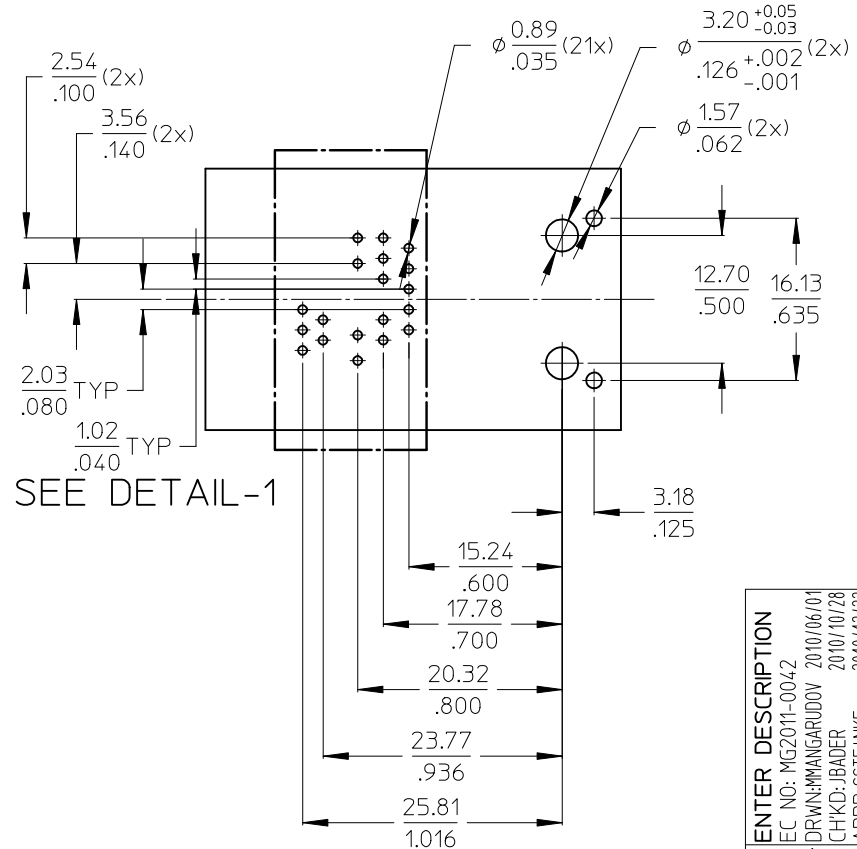
10 9 8 7 6 5 4 3 2 1



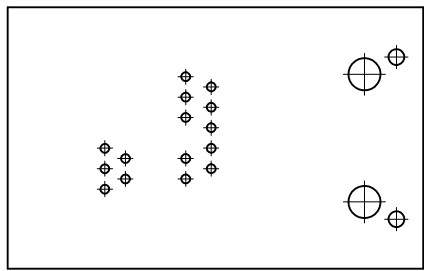
SUGGESTED BOARD LAYOUT - COMPONENT SIDE

SUGGESTED PANEL CUTOUT

DETAIL-1  
SCALE 4:1



SUGGESTED BOARD LAYOUT FOR NON LED VERSION



2.03  
.080 TYP  
1.02  
.040 (2x)  
2.03  
.080

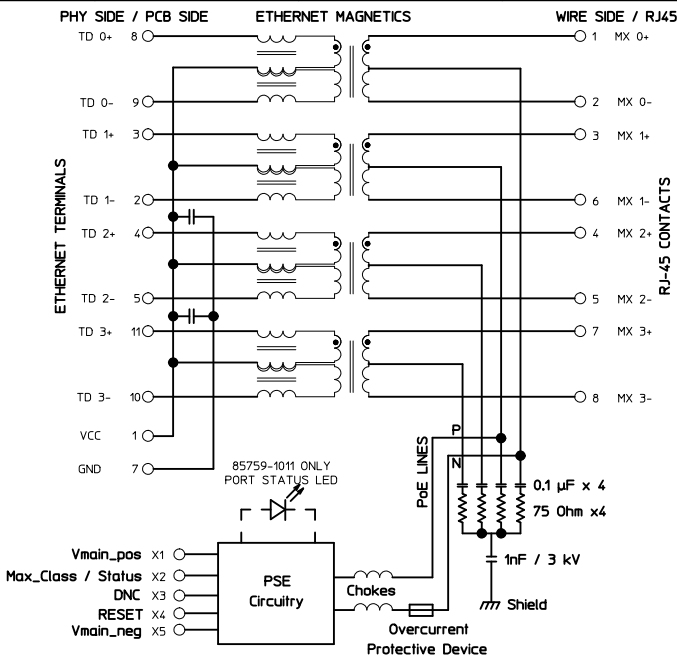
NOTE:  
1 - PINS 15 AND 16 NOT PRESENT ON VERSION WITH INTEGRATED POWER INDICATION LED

SEE DETAIL-1

<b>ENTER DESCRIPTION</b> EC NO: MG2011-0042 DRWN: MMANGARUDOV 2010/06/01 CHKD: JBADER 2010/10/28 APPR: SSTEINKE 2010/12/22	<b>QUALITY SYMBOLS</b> ▽=0 ◻=0	<b>GENERAL TOLERANCES (UNLESS SPECIFIED)</b>		<b>DIMENSION STYLE</b> MM ONLY	<b>SCALE</b> 2:1	<b>DESIGN UNITS</b> METRIC	THIRD ANGLE PROJECTION		
		4 PLACES ± --- ± ---	3 PLACES ± --- ± ---	2 PLACES ± 0.05 ± ---	1 PLACE ± 0.10 ± ---	DRAWN BY JBADER	DATE 2009/11/13	TITLE HYPERJACK POE PLUS PSE ICM 1X1	
		ANGULAR ± .5 °		DRAFT WHERE APPLICABLE MUST REMAIN WITHIN DIMENSIONS		CHECKED BY MMANGARUDOV	DATE 2010/01/08	MOLEX INCORPORATED	
		SEE SHEET 3		MATERIAL NO.	DOCUMENT NO.	APPROVED BY SSTEINKE	DATE 2010/03/09	SD-85759-001	SHEET NO. 2 OF 3

9 8 7 6 5 4 3 2 1

Electrical Specifications @25°C		
Operating temperature (0°C to +70°C)		
Description	Value	
OCL POE+TRANSF. 24mA bias (0°C to +70°C)	350mH min.	
OCL NONPOE TRANSF. 8mA bias (0°C to +70°C)	350mH min.	
Turns Ratio	1CT:1CT	
Insertion Loss		
Frequency (MHz)	Limits (dB max.)	Typical Values (dB max.)
1.0-9.9 MHz	0.4+0.1*log(F)	0.5 @ 10MHz
10-49.9 MHz	0.5+0.3*log(F/10)	0.7 @ 50MHz
50-79.9 MHz	1+1.4*log(F/80)	1.0 @ 80MHz
80-100 MHz	1.3+3*log(F/100)	1.3 @ 100MHz
Return Loss		
Frequency (MHz)	Limits (dB min.)	TYPICAL Values (dB min.)
1-9.9 MHz	27dB min.	27 @ 10MHz
10-100 MHz	27-17*log(F/10)	10 @ 100MHz
CMR		
Frequency (MHz)	Limits (dB min.)	TYPICAL Values (dB min.)
1-9.9 MHz	34dB min.	34 @ 10MHz
10-79.9 MHz	27dB min.	27 @ 80MHz
80-199.9 MHz	27-14.5*log(F/80)	21.5 @ 200MHz
200-399.9 MHz	21.5-39*log(F/200)	10 @ 400MHz
400-1000 MHz	10	10 @ 1000MHz
NEXT		
Frequency (MHz)	Limits (dB min.)	TYPICAL Values (dB min.)
1-5.9 MHz	50	50 @ 6MHz
6-49.9 MHz	45-16*log(F/10)	34 @ 50MHz
50-100 MHz	25-30*log(F/100)	25 @ 100MHz
Isolation PHY to Wire side	2.25kVDC/60sec	

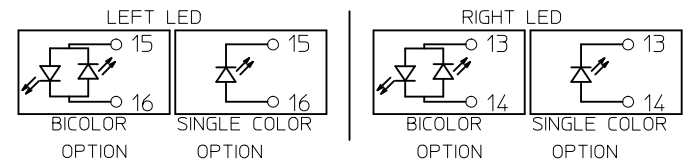


PART NUMBER	LEFT LED			RIGHT LED			COLOR 1
	PIN15	PIN16	COLOR	PIN13	PIN14	COLOR	
85759-1001	-	+	GREEN	-	+	GREEN	COLOR 2
85759-1003	-	+	GREEN	-	+	GREEN	COLOR 2
85759-1006	+	-	ORANGE	-	+	GREEN	COLOR 2
85759-1015	-	+	GREEN	-	+	YELLOW	COLOR 2
85759-1013	-	+	YELLOW	-	+	GREEN	COLOR 1
85759-1014	+	-	GREEN	+	-	GREEN	COLOR 2
85759-1020	NON LED						COLOR 2

VERSION WITH INTEGRATED PoE POWER INDICATION LED

PART NUMBER	POWER INDICATION					
	PIN15	PIN16	COLOR	PIN13	PIN14	COLOR 1
85759-1012	NOT PRESENT	GREEN	-	+	ORANGE	

ADDITIONAL LED COLORS AND CONFIGURATIONS AVAILABLE ON REQUEST



SEE TABLE FOR LED OPTION

PIN	NAME	FUNCTION	PARAMETERS
X1	Vmain_pos	Vmain 51 to 56V DC IN	min. 470mA (Class0-3), min. 1000mA (Class 4)
X2	Max_Class / Port Status	INPUT (power up): Set Max Class	To be set by resistors to Vmain_neg
		Class 1 only	10k
		Class 1 or 2 only	20k
		All except class 4	30k
		All classes including class 4	Open
		OUTPUT (powered): Power indication	high if PD is powered up by 1x1 PSE
X3	DNC	reserved	remain floating
X4	Reset	Reset	Reset or to disable PSE
X5	Vmain_neg	Vmain Reference	

<b>ENTER DESCRIPTION</b> EC NO: MG2011-0042 DRWN: MANGARUDOV 2010/06/01 CHKD: JBADER 2010/10/28 APPR: SSTEINKE 2010/12/22	<b>QUALITY SYMBOLS</b> 	<b>GENERAL TOLERANCES (UNLESS SPECIFIED)</b>		<b>DIMENSION STYLE</b> MM ONLY	<b>SCALE</b> 5:1	<b>DESIGN UNITS</b> METRIC	THIRD ANGLE PROJECTION	
		4 PLACES ± --- ± --- 3 PLACES ± --- ± --- 2 PLACES ± 0.05 ± --- 1 PLACE ± 0.10 ± ---	mm INCH	DRAWN BY: JBADER DATE: 2009/11/13	TITLE: HYPERJACK POE PLUS PSE ICM 1X1			
		ANGULAR ± .5 °		CHECKED BY: MMANGARUDOV DATE: 2010/01/08	MOLEX INCORPORATED			
		DRAFT WHERE APPLICABLE MUST REMAIN WITHIN DIMENSIONS		APPROVED BY: SSTEINKE DATE: 2010/03/09	MATERIAL NO. SEE BOM	DOCUMENT NO. SD-85759-001	SHEET NO. 3 OF 3	