



Chipsmall Limited consists of a professional team with an average of over 10 year of expertise in the distribution of electronic components. Based in Hongkong, we have already established firm and mutual-benefit business relationships with customers from,Europe,America and south Asia,supplying obsolete and hard-to-find components to meet their specific needs.

With the principle of “Quality Parts,Customers Priority,Honest Operation,and Considerate Service”,our business mainly focus on the distribution of electronic components. Line cards we deal with include Microchip,ALPS,ROHM,Xilinx,Pulse,ON,Everlight and Freescale. Main products comprise IC,Modules,Potentiometer,IC Socket,Relay,Connector.Our parts cover such applications as commercial,industrial, and automotives areas.

We are looking forward to setting up business relationship with you and hope to provide you with the best service and solution. Let us make a better world for our industry!



Contact us

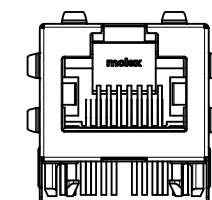
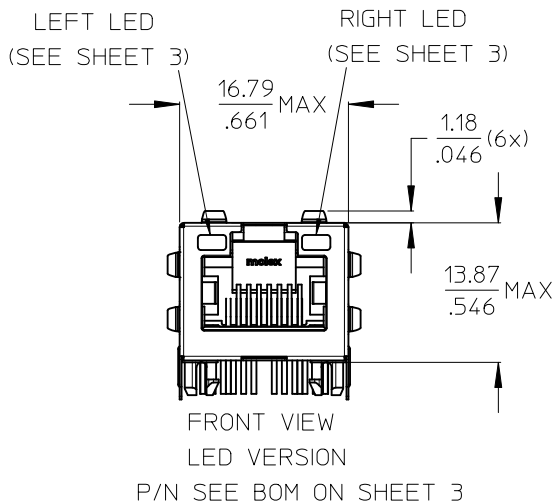
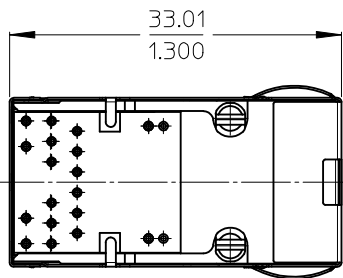
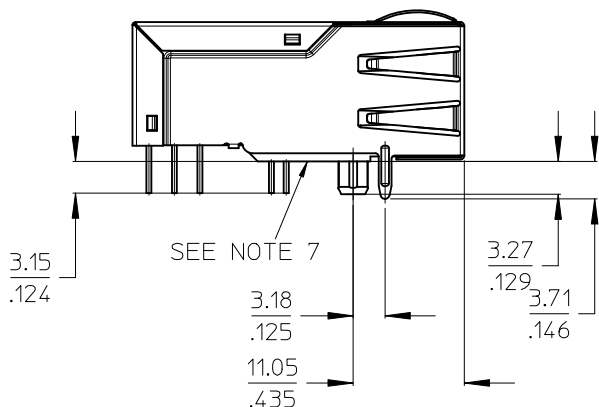
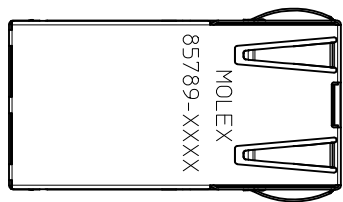
Tel: +86-755-8981 8866 Fax: +86-755-8427 6832

Email & Skype: info@chipsmall.com Web: www.chipsmall.com

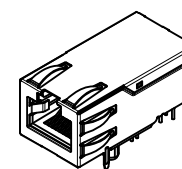
Address: A1208, Overseas Decoration Building, #122 Zhenhua RD., Futian, Shenzhen, China



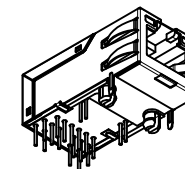
GIGABIT SINGLE PORT MAGNETIC JACK
PoE+ MAGNETICS ACC. TO IEEE802.3at FOR PSE OR PD APPLICATIONS



FRONT VIEW
NON LED VERSION
P/N 85789-1020



NON LED VERSION
SCALE 1:1

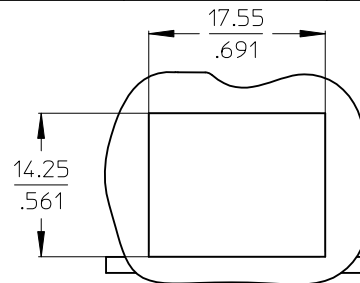
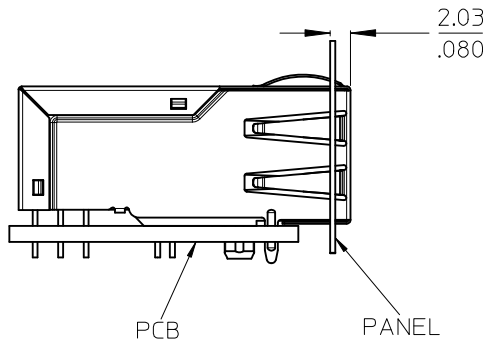


LED VERSION
SCALE 1:1

NOTES:

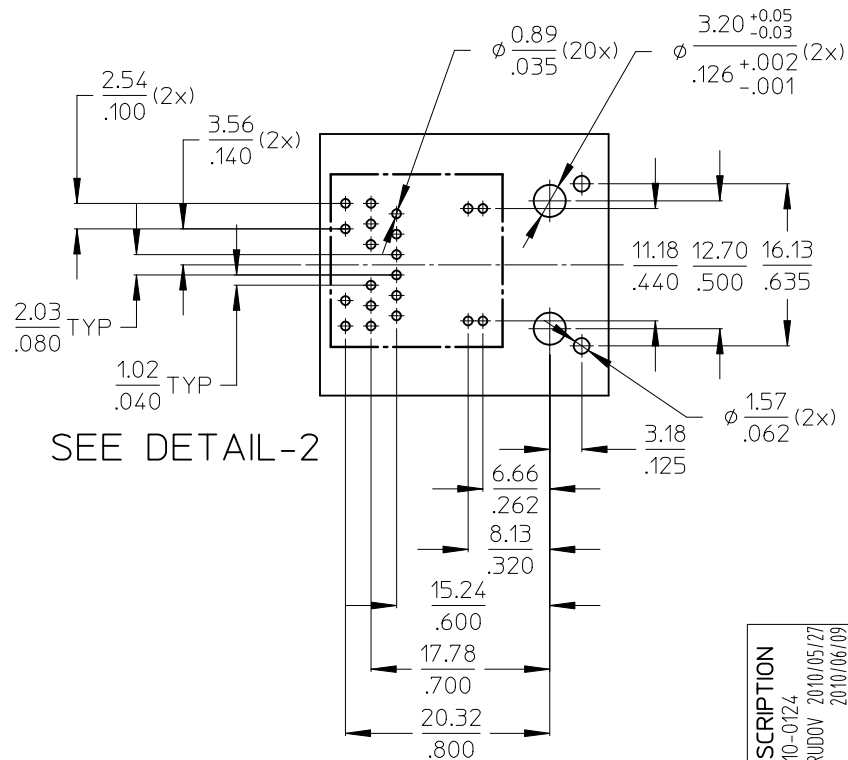
- 1 - SHIELD MATERIAL: STAINLESS STEEL
(GROUND PINS ARE SOLDER DIPPED)
- 2 - PLASTIC MATERIAL: PBT, BLACK, UL 94V-0
- 3 - TERMINALS MATERIAL: PHOSPOR BRONZE CuSn8
RJ45 CONTACTS PLATING: 0.76µm GOLD OVER
1.9µm Ni ON MATING AREA
SOLDER TERMINALS: 3µm Sn
- 4 - JACK TO BE MATED WITH FCC 68.5 PLUGS /
IEC 60603-7 PLUGS
- 5 - PRODUCT SPECIFICATION: PS-85789-001
- 6 - PACKAGING SPECIFICATION: PK-85759-001
- 7 - STAND OFF TO SYSTEM BOARD

ENTER DESCRIPTION EC NO: MG2010-0124 DRWN: MMANGARUDOV 2010/05/27 CH'KD: JBADER 2010/06/09 APPR: SSTEINKE 2011/02/09	QUALITY SYMBOLS ▽=0 ▽=0	GENERAL TOLERANCES (UNLESS SPECIFIED)		DIMENSION STYLE MM ONLY		SCALE 2:1	DESIGN UNITS METRIC	THIRD ANGLE PROJECTION		
			mm	INCH	DRAWN BY	DATE	TITLE			
		4 PLACES	± ---	± ---	JBADER	2010/01/14	HYPERJACK POE PLUS ENABLED 1X1 4P			
		3 PLACES	± ---	± ---	CHECKED BY	DATE				
2 PLACES	± 0.05	± ---	MMANGARUDOV	2010/01/14	MOLEX INCORPORATED					
1 PLACE	± 0.10	± ---	APPROVED BY	DATE						
ANGULAR ± .5 °				SSTEINKE	2010/03/09	MOLEX INCORPORATED				
DRAFT WHERE APPLICABLE MUST REMAIN WITHIN DIMENSIONS				MATERIAL NO.	SEE SHEET 3		DOCUMENT NO. SD-85789-001	SHEET NO. 1 OF 3		
				SIZE	THIS DRAWING CONTAINS INFORMATION THAT IS PROPRIETARY TO MOLEX INCORPORATED AND SHOULD NOT BE USED WITHOUT WRITTEN PERMISSION					

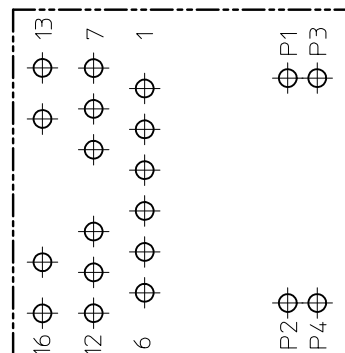


SUGGESTED PANEL CUTOUT

SUGGESTED BOARD LAYOUT - COMPONENT SIDE

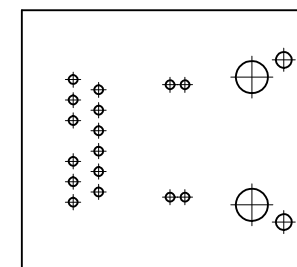


PIN CONFIGURATION



DETAIL-2
SCALE 4:1

SUGGESTED BOARD LAYOUT
NON LED VERSION



ENTER DESCRIPTION	REV	DESCRIPTION
EC NO: MG2010-0124	3	DRWN:MMANGARUDOV 2010/05/27
CHKD:JBADER 2010/06/09		APPR:SSTE INKE 2011/02/09

QUALITY SYMBOLS
▽=0
∇=0

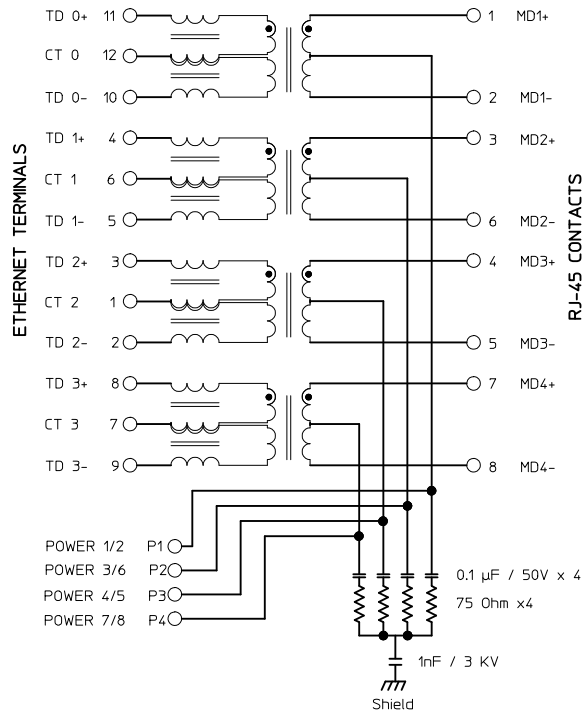
GENERAL TOLERANCES (UNLESS SPECIFIED)	
	mm INCH
4 PLACES	± --- ± ---
3 PLACES	± --- ± ---
2 PLACES	± 0.05 ± ---
1 PLACE	± 0.10 ± ---
ANGULAR ± .5 °	
DRAFT WHERE APPLICABLE MUST REMAIN WITHIN DIMENSIONS	

DIMENSION STYLE	
MM ONLY	
DRAWN BY	DATE
JBADER	2010/01/14
CHECKED BY	DATE
MMANGARUDOV	2010/01/14
APPROVED BY	DATE
SSTE INKE	2010/03/09
MATERIAL NO.	
SEE SHEET 3	

SCALE	DESIGN UNITS	THIRD ANGLE PROJECTION
2:1	METRIC	☉ □
TITLE		
HYPERJACK POE PLUS ENABLED 1X1 4P		
MOLEX INCORPORATED		SHEET NO.
DOCUMENT NO.		2 OF 3
SD-85789-001		

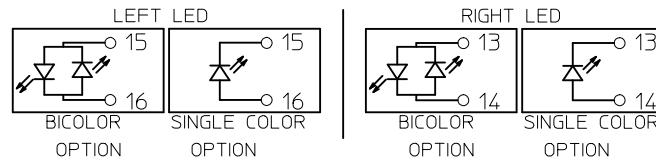
Electrical Specifications @25°C		
Operating temperature (0°C to +70°C)		
Description	Value	
OCL POE+TRANSF. 24mA bias (0°C to +70°C)	350μH min.	
OCL NONPOE TRANSF. 8mA bias (0°C to +70°C)	350μH min.	
Turns Ratio	1CT:1CT	
Insertion Loss	Limits (dB max.)	Typical Values (dB max.)
Frequency (MHz)	1.0-9.9 MHz	0.4+0.1*log(F)
	10-49.9 MHz	0.5 @ 10MHz
	50-79.9 MHz	0.5+0.3*log(F/10)
	80-100 MHz	0.7 @ 50MHz
	1+1.4*log(F/80)	1.0 @ 80MHz
	1.3+3*log(F/100)	1.3 @ 100MHz
Return Loss	Limits (dB min.)	TYPICAL Values (dB min.)
Frequency (MHz)	1-9.9 MHz	27dB min.
	10-100 MHz	27 @ 10MHz
	27-17*log(F/10)	10 @ 100MHz
CMR	Limits (dB min.)	TYPICAL Values (dB min.)
Frequency (MHz)	1-9.9 MHz	34dB min.
	10-79.9 MHz	34 @ 10MHz
	80-199.9 MHz	27dB min.
	200-399.9 MHz	27 @ 80MHz
	400-1000 MHz	27-14.5*log(F/80)
	10 @ 400MHz	21.5 @ 200MHz
	10 @ 1000MHz	21.5-39*log(F/200)
NEXT	Limits (dB min.)	TYPICAL Values (dB min.)
Frequency (MHz)	1-5.9 MHz	50
	6-49.9 MHz	50 @ 6MHz
	50-100 MHz	45-16*log(F/10)
	25-30*log(F/100)	34 @ 50MHz
	25 @ 100MHz	25 @ 100MHz
Isolation PHY to Wire side	2.25kVDC/60sec	

PHY SIDE / PCB SIDE ETHERNET MAGNETICS WIRE SIDE / RJ45



PART NUMBER	LED1 POLARITY			LED2 POLARITY		
	LEFT LED		COLOR	RIGHT LED		COLOR
	PIN15	PIN16		PIN13	PIN14	
85789-1001	-	+	GREEN	-	+	GREEN
85789-1003	-	+	GREEN	-	+	GREEN
85789-1006	-	+	GREEN	-	+	YELLOW
85789-1007	-	+	GREEN	-	+	GREEN
85789-1012	-	+	YELLOW	-	+	GREEN
85789-1013	-	+	YELLOW	-	+	YELLOW
85789-1014	-	+	YELLOW	-	+	GREEN
85789-1020	NON LED					

ADDITIONAL LED COLORS AND CONFIGURATIONS AVAILABLE ON REQUEST



SEE TABLE FOR LED OPTIONS

ENTER DESCRIPTION EC NO: MGZ010-0124 DRWN:MMANGARUDOV 2010/05/27 CHKD:JBADER 2010/06/09 APPR:SSTE INKE 2011/02/09	QUALITY SYMBOLS 	GENERAL TOLERANCES (UNLESS SPECIFIED)		DIMENSION STYLE MM ONLY	SCALE 5:1	DESIGN UNITS METRIC	THIRD ANGLE PROJECTION		
		4 PLACES ± --- ± --- 3 PLACES ± --- ± --- 2 PLACES ± 0.05 ± --- 1 PLACE ± 0.10 ± ---	mm INCH	DRAWN BY JBADER	DATE 2010/01/14	TITLE HYPERJACK POE PLUS ENABLED 1X1 4P			
		ANGULAR ± .5 °		CHECKED BY MMANGARUDOV	DATE 2010/01/14	MOLEX INCORPORATED			
		DRAFT WHERE APPLICABLE MUST REMAIN WITHIN DIMENSIONS		APPROVED BY SSTE INKE	DATE 2010/03/09	MATERIAL NO. SEE BOM	DOCUMENT NO. SD-85789-001	SHEET NO. 3 OF 3	