



Chipsmall Limited consists of a professional team with an average of over 10 year of expertise in the distribution of electronic components. Based in Hongkong, we have already established firm and mutual-benefit business relationships with customers from,Europe,America and south Asia,supplying obsolete and hard-to-find components to meet their specific needs.

With the principle of “Quality Parts,Customers Priority,Honest Operation,and Considerate Service”,our business mainly focus on the distribution of electronic components. Line cards we deal with include Microchip,ALPS,ROHM,Xilinx,Pulse,ON,Everlight and Freescale. Main products comprise IC,Modules,Potentiometer,IC Socket,Relay,Connector.Our parts cover such applications as commercial,industrial, and automotives areas.

We are looking forward to setting up business relationship with you and hope to provide you with the best service and solution. Let us make a better world for our industry!



Contact us

Tel: +86-755-8981 8866 Fax: +86-755-8427 6832

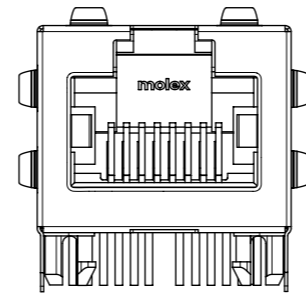
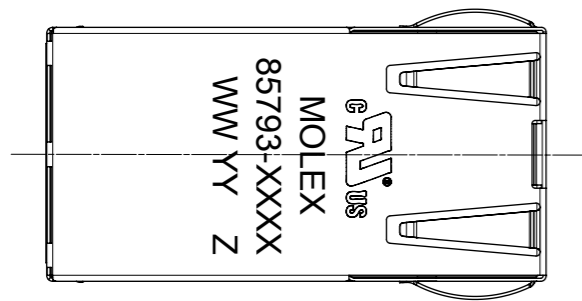
Email & Skype: info@chipsmall.com Web: www.chipsmall.com

Address: A1208, Overseas Decoration Building, #122 Zhenhua RD., Futian, Shenzhen, China

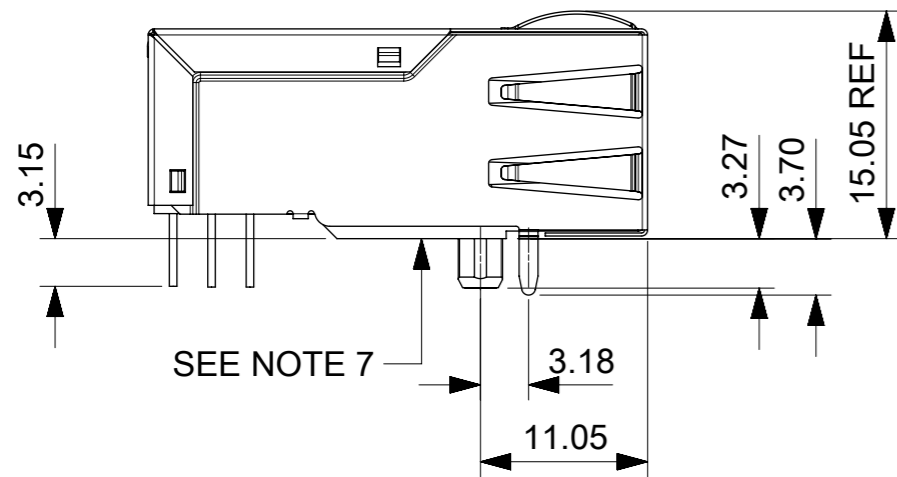


GIGABIT MAGNETIC JACK 1x1 LED

- NOTES:
- 1 - SHIELD MATERIAL: STAINLESS STEEL
(GROUND PINS ARE SOLDER DIPPED)
 - 2 - PLASTIC MATERIAL: PBT, BLACK, UL 94V-0
 - 3 - RJ45 TERMINALS MATERIAL: COPPER ALLOY
CONTACT PLATING: 0.76 MICROMETER GOLD
OVER 1.9 MICROMETER NICKEL
PHY TERMINALS: TIN PLATED
 - 4 - MATING INTERFACE ACCORDING TO IEC 60603-7
 - 5 - PRODUCT SPECIFICATION: PS-85793-001
 - 6 - PACKAGING SPECIFICATION: PK-85759-001
 - 7 - STAND OFF TO SYSTEM BOARD
 - 8 - RECOMMENDED PCB THICKNESS: 1.6mm
 - 9 - SHIELD LATCHES: AVOID TO ROUTE
TRACES OR TO PLACE ANY VIAS OR PADS
BELOW THESE LATCHES
 - 10 - INSCRIPTION MARKED BY LASER:
UL LOGO
1st : MOLEX
2st : P/N (SEE BOM)
3rd : DATE CODE(WEEK/YEAR)



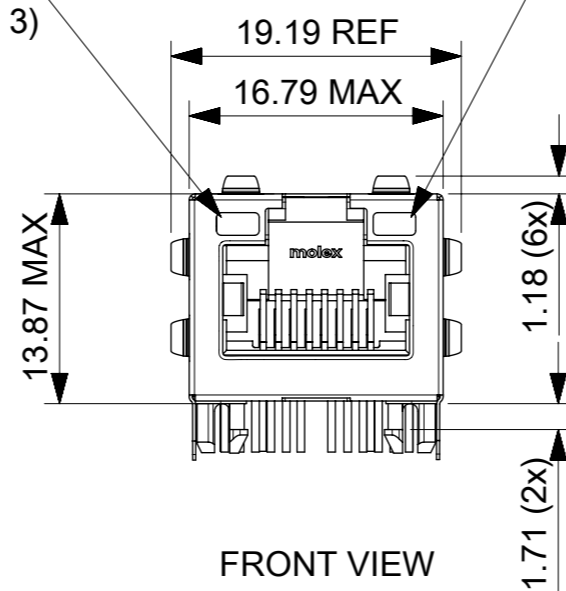
FRONT VIEW
NON LED VERSION
P/N 85793-1020



SEE NOTE 7

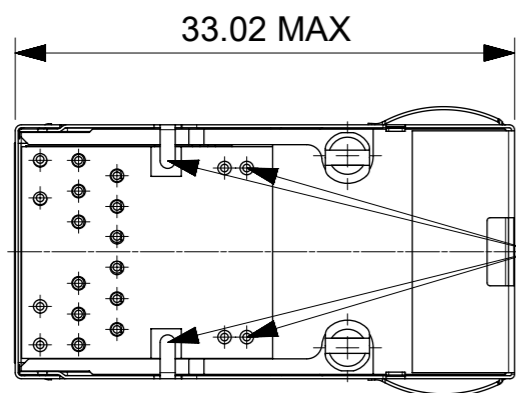
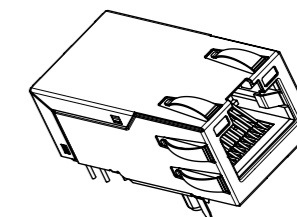
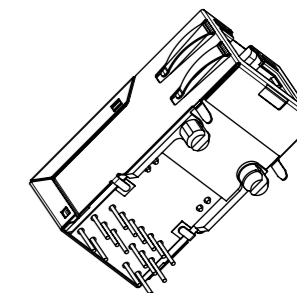
LEFT LED
(SEE SHEET 3)

RIGHT LED
(SEE SHEET 3)



FRONT VIEW
LED VERSION
P/N SEE BOM ON SHEET 3

SCALE 1:1

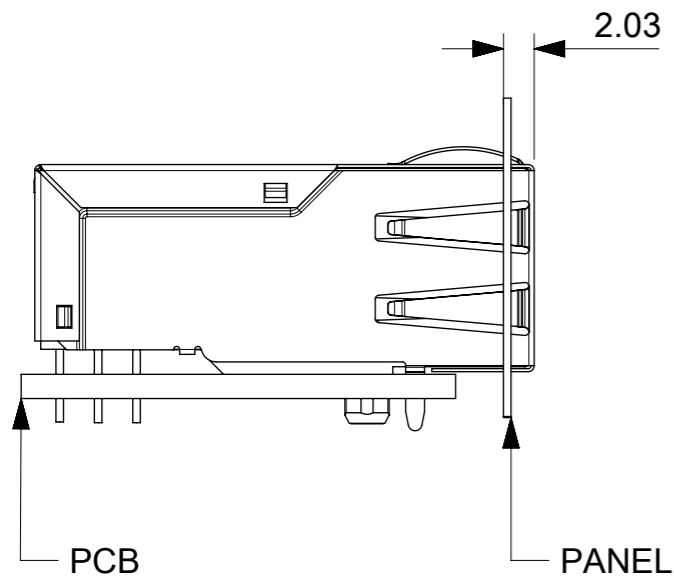
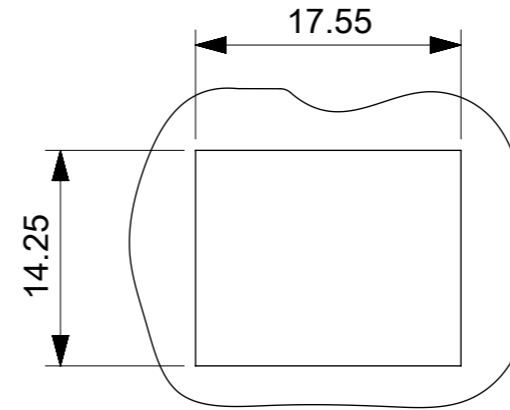


SEE NOTE 9

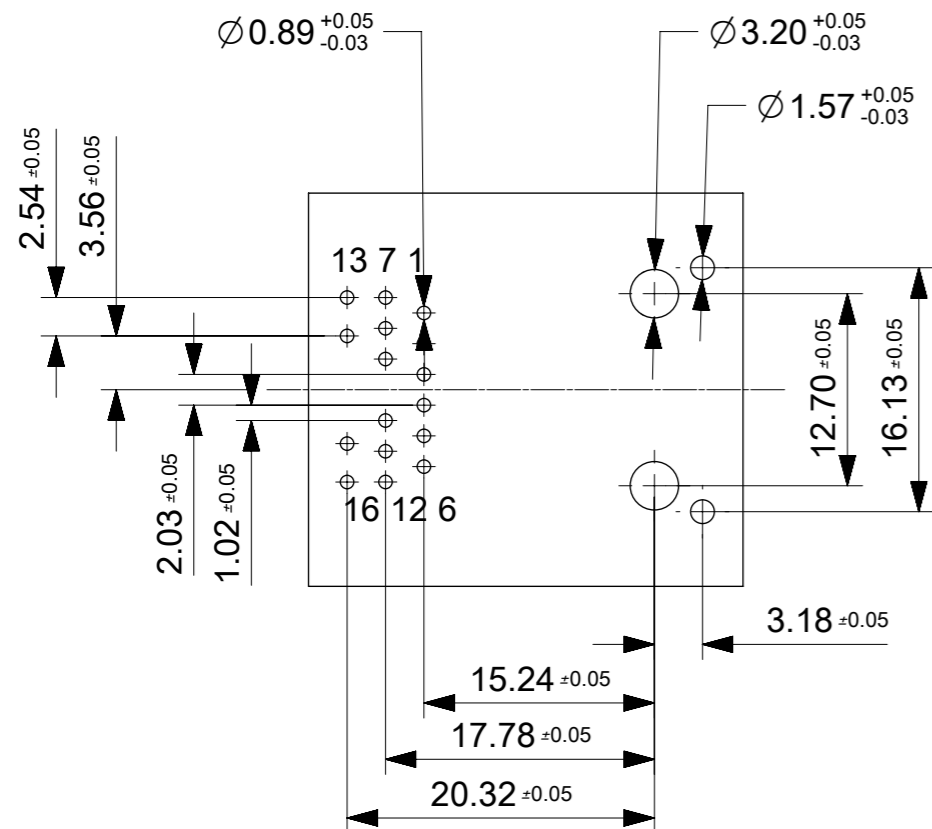
THIS DRAWING CONTAINS INFORMATION THAT IS PROPRIETARY TO MOLEX INCORPORATED AND SHOULD NOT BE USED WITHOUT WRITTEN PERMISSION

EC DESCRIPTION EC NO: 101432 DRWN: MFURKEL CHK'D: APPR: RSILLER	QUALITY SYMBOLS ▽ = 0 ▽ = 0 ▽ = 0 ▽ = 0 ▽ = 0 ▽ = 0 ▽ = 0 ▽ = 0	GENERAL TOLERANCES (UNLESS SPECIFIED)		DIMENSION UNITS MM	SCALE 2:1				
		ANGULAR TOL ± 0.5 °		DRWN BY MFURKEL	DATE 2015/06/15				
		4 PLACES ± 3 PLACES ± 2 PLACES ± 0.25 1 PLACE ± 0.5 0 PLACES ±		CHK'D BY RSILLER	DATE 2015/07/02	PRODUCT CUSTOMER DRAWING			
		DRAFT WHERE APPLICABLE MUST REMAIN WITHIN DIMENSIONS		APPR BY RSILLER	DATE 2015/07/02				
D	REV	DRAWING SIZE A3		THIRD ANGLE PROJECTION		DOCUMENT NUMBER 857931001	DOC TYPE PSD	DOC PART 000	SHEET NUMBER 1 OF 4

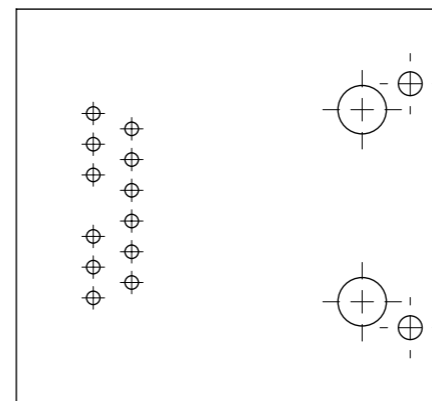
SUGGESTED PANEL CUTOUT



SUGGESTED BOARD LAYOUT- COMPONENT SIDE



SUGGESTED BOARD LAYOUT FOR NON LED VERSION

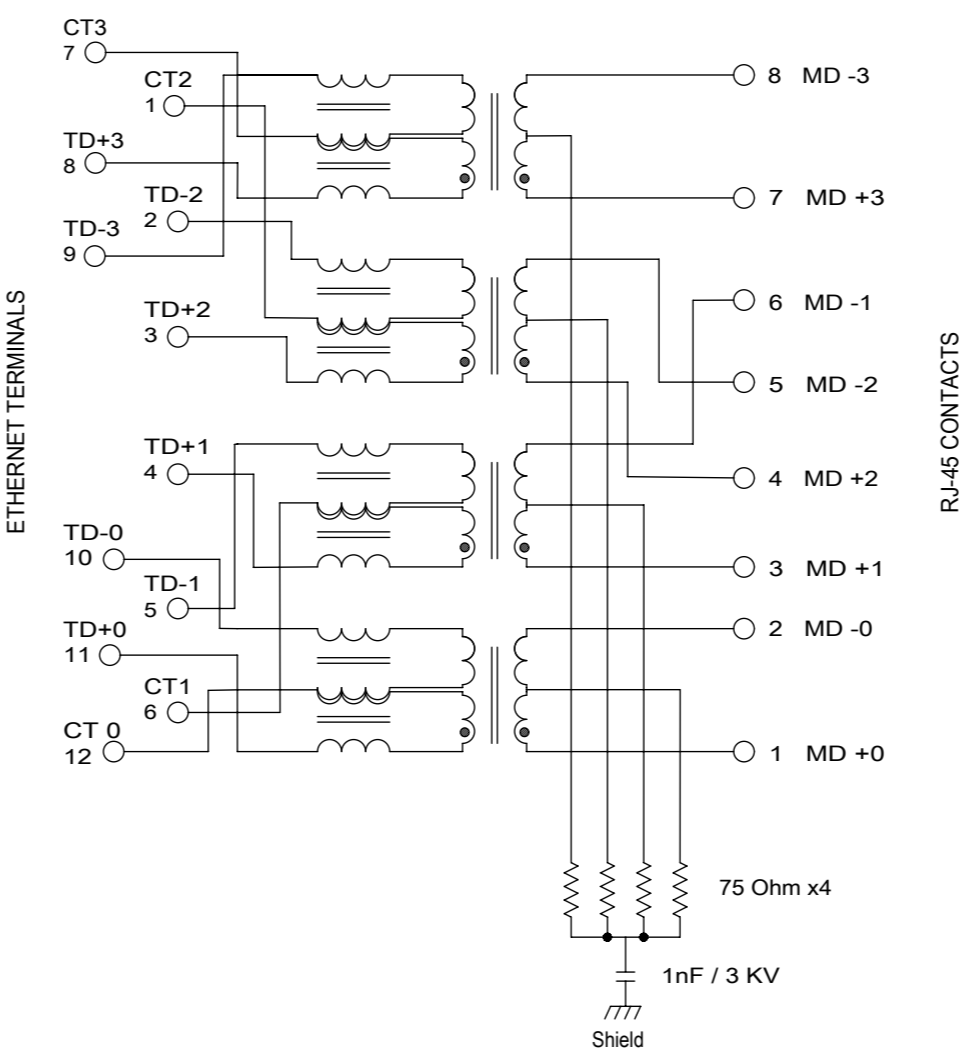


THIS DRAWING CONTAINS INFORMATION THAT IS PROPRIETARY TO MOLEX INCORPORATED AND SHOULD NOT BE USED WITHOUT WRITTEN PERMISSION

EC DESCRIPTION EC NO: 101432 DRWN: MFURKEL CHK'D: APPR: RSILLER	2015/09/24 2016/02/15	QUALITY SYMBOLS □ = 0 ▽ = 0 ▽ = 0 ▽ = 0 ▽ = 0 ▽ = 0 ▽ = 0 ▽ = 0	GENERAL TOLERANCES (UNLESS SPECIFIED) ANGULAR TOL ± 0.5 ° 4 PLACES ± 3 PLACES ± 2 PLACES ± 0.25 1 PLACE ± 0.5 0 PLACES ±	DIMENSION UNITS MM	SCALE 2:1			
		DRWN BY MFURKEL	DATE 2015/06/15	GIGABIT MAGNETIC JACK 1X1 LED				
		CHK'D BY RSILLER	DATE 2015/07/02	PRODUCT CUSTOMER DRAWING				
		DRAWING SIZE A3	THIRD ANGLE PROJECTION	SERIES 85793	MATERIAL NUMBER SEE BOM/ SHEET 3/4	CUSTOMER	DOCUMENT NUMBER 857931001	DOC TYPE PSD

Electrical Specifications @25°C		
Operating temperature (0°C to +70°C)		
Description	VALUE	
OCL 8mA bias (0°C to +70°C)	350µH min.	
Turns Ratio	1CT:1CT	
Insertion Loss		
Frequency (MHz)	Limits (dB max.)	Typical Values (dB max.)
1.0-9.9 MHz	0.4+0.1*log(F)	0.5 @ 10MHz
10-49.9 MHz	0.5+0.3*log(F/10)	0.7 @ 50MHz
50-79.9 MHz	1+1.4*log(F/80)	1.0 @ 80MHz
80-100 MHz	1.3+3*log(F/100)	1.3 @ 100MHz
Return Loss		
Frequency (MHz)	Limits (dB min.)	TYPICAL Values (dB min.)
1-9.9 MHz	27dB min.	27 @ 10MHz
10-100 MHz	27-17*log(F/10)	10 @ 100MHz
CMR		
Frequency (MHz)	Limits (dB min.)	TYPICAL Values (dB min.)
1-9.9 MHz	34dB min.	34 @ 10MHz
10-79.9 MHz	27dB min.	27 @ 80MHz
80-199.9 MHz	27-14.5*log(F/80)	21.5 @ 200MHz
200-399.9 MHz	21.5-39*log(F/200)	10 @ 400MHz
400-1000 MHz	10	10 @ 1000MHz
NEXT		
Frequency (MHz)	Limits (dB min.)	TYPICAL Values (dB min.)
1-5.9 MHz	50	50 @ 6MHz
6-49.9 MHz	45-16*log(F/10)	34 @ 50MHz
50-100 MHz	25-30*log(F/100)	25 @ 100MHz
Isolation PHY to Wire side	2.25kVDC/60sec	

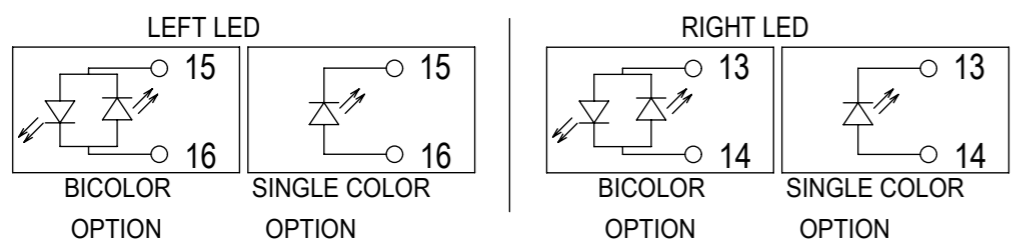
PHY SIDE / PCB SIDE ETHERNET MAGNETICS WIRE SIDE / RJ45



STANDARD VERSION

PART NUMBER	LED1 POLARITY			LED2 POLARITY		
	LEFT LED			RIGHT LED		
	PIN15	PIN16	COLOR	PIN13	PIN14	COLOR
857931001	-	+	GRN	-	+	GRN
0°C~+70°C						
857931003	-	+	GRN	-	+	GRN
0°C~+70°C	+	-	ORG			
857931006	-	+	GRN	-	+	YW
0°C~+70°C						
857931007	-	+	GRN	-	+	GRN
0°C~+70°C	+	-	YW			
857931010	-	+	GRN	-	+	YW
0°C~+70°C	+	-	YW	+	-	GRN
857931012	-	+	YW	-	+	GRN
0°C~+70°C	+	-	GRN			
857931013	-	+	YW	-	+	YW
0°C~+70°C	+	-	GRN	+	-	GRN
857931014	-	+	YW	-	+	GRN
0°C~+70°C						
857931020	NON LED					
0°C~+70°C						

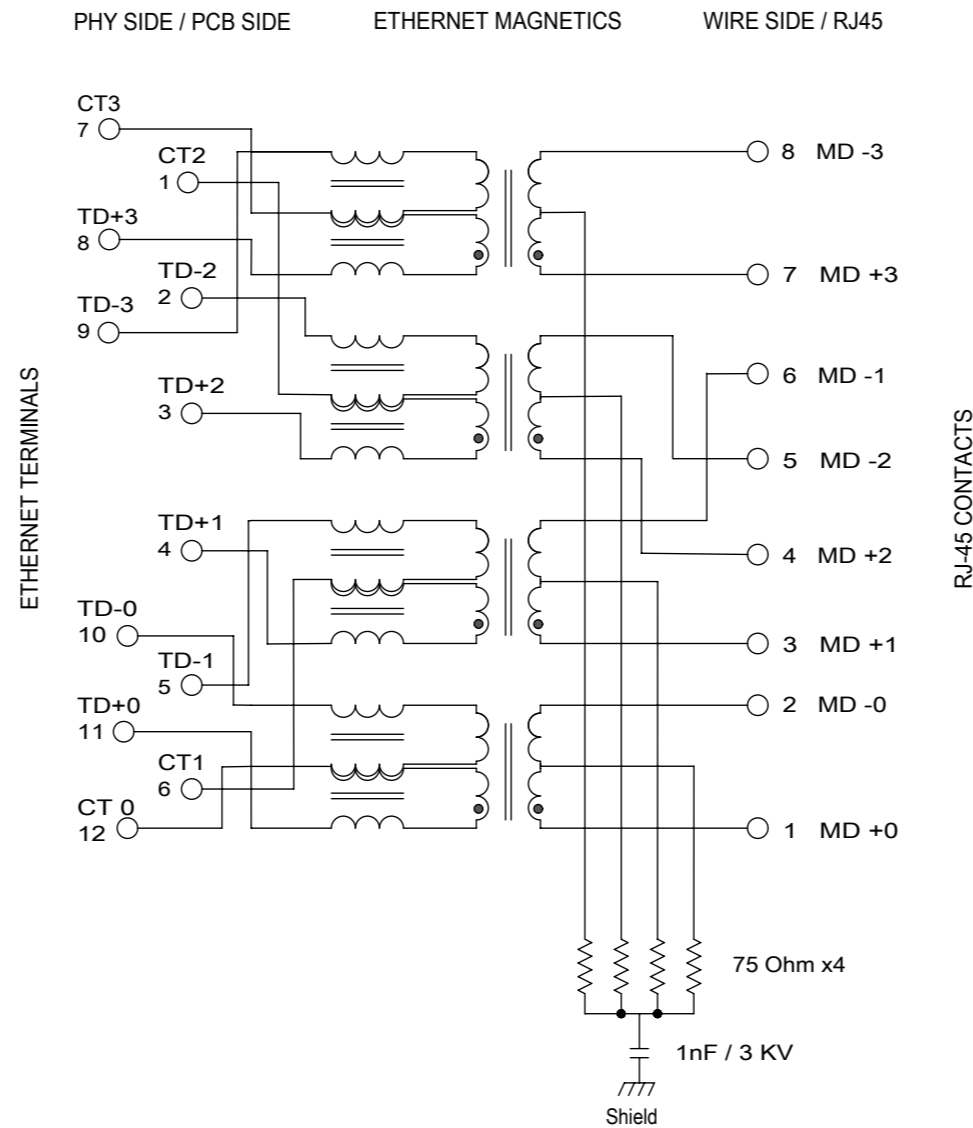
ADDITIONAL LED COLORS AND CONFIGURATIONS ARE AVAILABLE ON REQUEST



THIS DRAWING CONTAINS INFORMATION THAT IS PROPRIETARY TO MOLEX INCORPORATED AND SHOULD NOT BE USED WITHOUT WRITTEN PERMISSION

EC DESCRIPTION EC NO: 101432 DRWN: MFURKEL CHK'D: APPR: RSILLER	QUALITY SYMBOLS ▽ = 0 ▽ = 0 ▽ = 0 ▼ = 0 ▽ = 0 ☒ = 0 ■ = 0 ▽ = 0	GENERAL TOLERANCES (UNLESS SPECIFIED)		DIMENSION UNITS MM	SCALE 5:1					
		ANGULAR TOL ± 0.5 °		DRWN BY MFURKEL	DATE 2015/06/15		GIGABIT MAGNETIC JACK 1X1 LED			
		4 PLACES ±		CHK'D BY RSILLER	DATE 2015/07/02			PRODUCT CUSTOMER DRAWING		
		3 PLACES ±		APPR BY RSILLER				DRAWING SIZE A3	THIRD ANGLE PROJECTION	SERIES 85793
2 PLACES ± 0.25		DRAFT WHERE APPLICABLE MUST REMAIN WITHIN DIMENSIONS				DOCUMENT NUMBER 857931001	DOC TYPE PSD	DOC PART 000	SHEET NUMBER 3 OF 4	
1 PLACE ± 0.5										
0 PLACES ±										

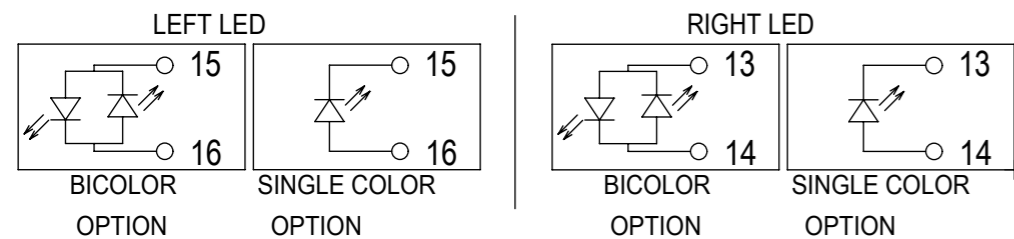
Electrical Specifications @25°C		
Operating temperature (-40°C to +85°C)		
Description	VALUE	
OCL 8mA bias (-40°C to +85°C)	350µH min.	
Turns Ratio	1CT:1CT	
Insertion Loss		
Frequency (MHz)	Limits (dB max.)	Typical Values (dB max.)
1.0-9.9 MHz	0.4+0.1*log(F)	0.5 @ 10MHz
10-49.9 MHz	0.5+0.3*log(F/10)	0.7 @ 50MHz
50-79.9 MHz	1+1.4*log(F/80)	1.0 @ 80MHz
80-100 MHz	1.3+3*log(F/100)	1.3 @ 100MHz
Return Loss		
Frequency (MHz)	Limits (dB min.)	TYPICAL Values (dB min.)
1-9.9 MHz	27dB min.	27 @ 10MHz
10-100 MHz	27-17*log(F/10)	10 @ 100MHz
CMR		
Frequency (MHz)	Limits (dB min.)	TYPICAL Values (dB min.)
1-9.9 MHz	34dB min.	34 @ 10MHz
10-79.9 MHz	27dB min.	27 @ 80MHz
80-199.9 MHz	27-14.5*log(F/80)	21.5 @ 200MHz
200-399.9 MHz	21.5-39*log(F/200)	10 @ 400MHz
400-1000 MHz	10	10 @ 1000MHz
NEXT		
Frequency (MHz)	Limits (dB min.)	TYPICAL Values (dB min.)
1-5.9 MHz	50	50 @ 6MHz
6-49.9 MHz	45-16*log(F/10)	34 @ 50MHz
50-100 MHz	25-30*log(F/100)	25 @ 100MHz
Isolation PHY to Wire side	2.25kVDC/60sec	



INDUSTRIAL VERSION / HIGH TEMP

857933006	-	+	GRN	-	+	YW
-40°C~+85°C						
857933007	-	+	GRN	-	+	GRN
-40°C~+85°C	+	-	YW			

ADDITIONAL LED COLORS AND CONFIGURATIONS ARE AVAILABLE ON REQUEST



THIS DRAWING CONTAINS INFORMATION THAT IS PROPRIETARY TO MOLEX INCORPORATED AND SHOULD NOT BE USED WITHOUT WRITTEN PERMISSION

EC DESCRIPTION EC NO: 101432 DRWN: MFURKEL CHK'D: APPR: RSILLER	2015/09/24	QUALITY SYMBOLS ▽ = 0 ▽ = 0 ▽ = 0 ▼ = 0 ▽ = 0 ☒ = 0 ■ = 0 ▽ = 0	GENERAL TOLERANCES (UNLESS SPECIFIED)		DIMENSION UNITS	SCALE		
			ANGULAR TOL ± 0.5 °		MM	5:1		
			4 PLACES ±	DRWN BY		DATE		
			3 PLACES ±	MFURKEL	2015/06/15			
	2 PLACES ± 0.25	CHK'D BY		DATE	GIGABIT MAGNETIC JACK 1X1 LED			
	1 PLACE ± 0.5	RSILLER	2015/07/02					
	0 PLACES ±	APPR BY		DATE	PRODUCT CUSTOMER DRAWING			
	DRAFT WHERE APPLICABLE MUST REMAIN WITHIN DIMENSIONS	DRAWING SIZE		THIRD ANGLE PROJECTION	SERIES	MATERIAL NUMBER	CUSTOMER	
		A3			85793	SEE BOM/ SHEET 3/4		
					DOCUMENT NUMBER	DOC TYPE	DOC PART	SHEET NUMBER
					857931001	PSD	000	4 OF 4