



Chipsmall Limited consists of a professional team with an average of over 10 year of expertise in the distribution of electronic components. Based in Hongkong, we have already established firm and mutual-benefit business relationships with customers from,Europe,America and south Asia,supplying obsolete and hard-to-find components to meet their specific needs.

With the principle of “Quality Parts,Customers Priority,Honest Operation,and Considerate Service”,our business mainly focus on the distribution of electronic components. Line cards we deal with include Microchip,ALPS,ROHM,Xilinx,Pulse,ON,Everlight and Freescale. Main products comprise IC,Modules,Potentiometer,IC Socket,Relay,Connector.Our parts cover such applications as commercial,industrial, and automotives areas.

We are looking forward to setting up business relationship with you and hope to provide you with the best service and solution. Let us make a better world for our industry!



## Contact us

Tel: +86-755-8981 8866 Fax: +86-755-8427 6832

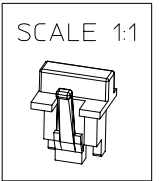
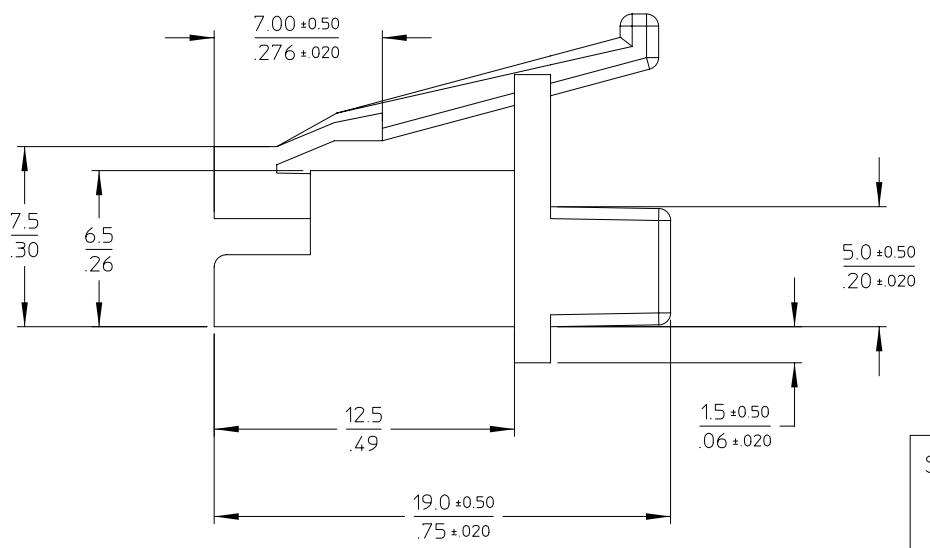
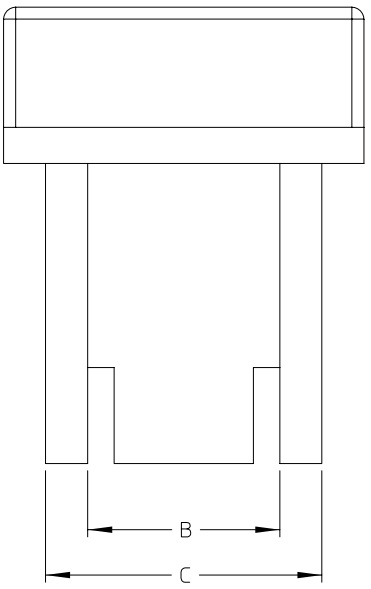
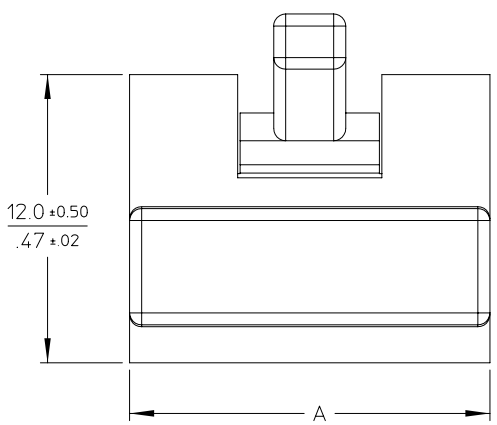
Email & Skype: info@chipsmall.com Web: www.chipsmall.com

Address: A1208, Overseas Decoration Building, #122 Zhenhua RD., Futian, Shenzhen, China



10 9 8 7 6 5 4 3 2 1

F  
E  
D  
C  
B  
A



NOTES:

- 1- MATERIAL: POLYCARBONATE MUST MEET UL 94 V1
- 2- COLOR: BLACK

CHART VERSION	MAT. NUMBER
8/8	85999-3255
6/6	85999-3256

DIM	VERSION	
	8/8	6/6
A	15.0±0.5 .59±.02	13.0±0.5 .51±.02
B	8.00 .315	6.00 .236
C	11.50 .453	9.60 .378

EC NO: M022002904788 DRWN: RKUBATIN 2002/04/09 CHKD: SFLIPON 2002/04/08 APPR: MHEIM 2002/04/08	QUALITY SYMBOLS	GENERAL TOLERANCES (UNLESS SPECIFIED)		SCALE 5:1	DESIGN UNITS METRIC	THIRD ANGLE PROJECTION	REVISE ON CAD ONLY	
	▽ = 0 ∠ = 0	mm		INCH		DIMENSION STYLE		TITLE
		4 PLACES ± --- ± ---		MM/IN		DRAWN BY DATE		
		3 PLACES ± --- ± .006		JKEICHER 99/11/29		CHECKED BY DATE		
2 PLACES ± 0.15 ± .01		ANGULAR ± .5 °		MFA SOLD 99/11/29		MOLEX INCORPORATED		
1 PLACE ± 0.25 ± ---		DRAFT WHERE APPLICABLE MUST REMAIN WITHIN DIMENSIONS		APPROVED BY DATE		MATERIAL NO. DOCUMENT NO. SHEET NO.		
				FBORDRON 99/11/29		SEE CHART SD-85999-056 1 OF 1		
THIS DRAWING CONTAINS INFORMATION THAT IS PROPRIETARY TO MOLEX INCORPORATED AND SHOULD NOT BE USED WITHOUT WRITTEN PERMISSION								A3

9 8 7 6 5 4 3 2 1