



Chipsmall Limited consists of a professional team with an average of over 10 year of expertise in the distribution of electronic components. Based in Hongkong, we have already established firm and mutual-benefit business relationships with customers from,Europe,America and south Asia,supplying obsolete and hard-to-find components to meet their specific needs.

With the principle of “Quality Parts,Customers Priority,Honest Operation,and Considerate Service”,our business mainly focus on the distribution of electronic components. Line cards we deal with include Microchip,ALPS,ROHM,Xilinx,Pulse,ON,Everlight and Freescale. Main products comprise IC,Modules,Potentiometer,IC Socket,Relay,Connector.Our parts cover such applications as commercial,industrial, and automotives areas.

We are looking forward to setting up business relationship with you and hope to provide you with the best service and solution. Let us make a better world for our industry!



Contact us

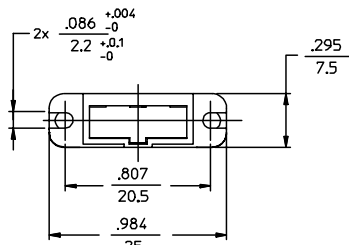
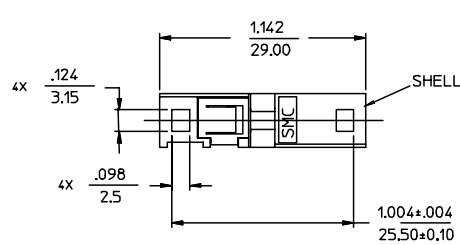
Tel: +86-755-8981 8866 Fax: +86-755-8427 6832

Email & Skype: info@chipsmall.com Web: www.chipsmall.com

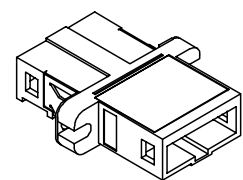
Address: A1208, Overseas Decoration Building, #122 Zhenhua RD., Futian, Shenzhen, China



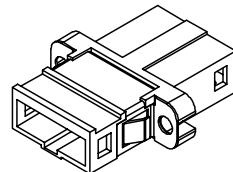
PART N	COLOR
86107-0000	BLACK
86107-0100	BEIGE



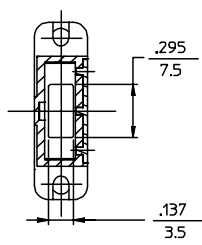
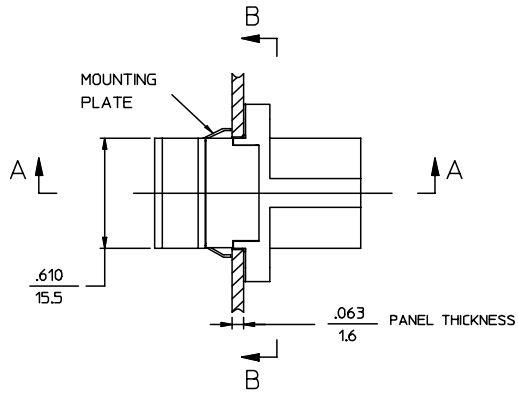
VERSION 1



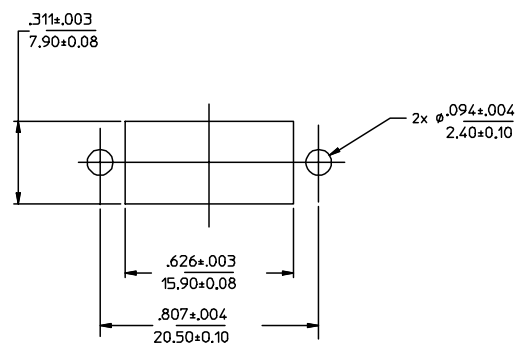
ISO FRONT VIEW



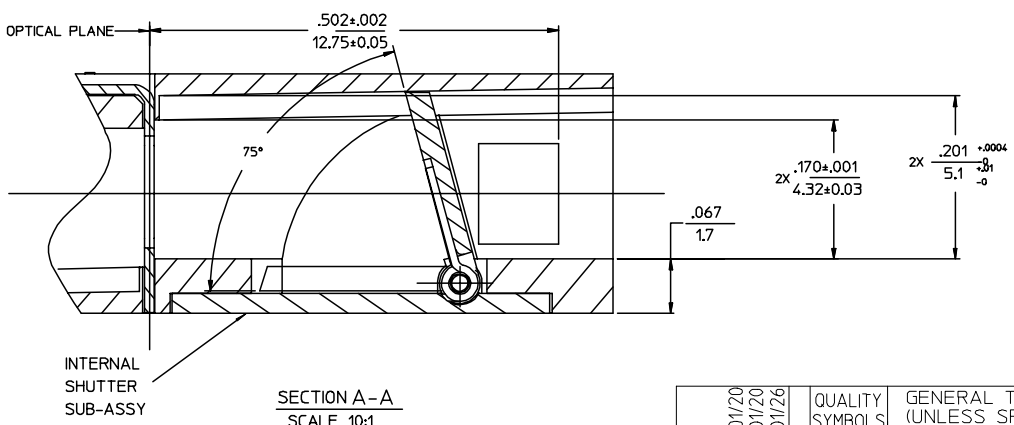
ISO BACK VIEW



SECTION B-B



RECOMMENDED MOUNTING HOLE



SECTION A-A
SCALE 10:1

- NOTES:
- ALL DIMENSIONS ARE IN $\frac{\text{INCHES}}{\text{mm}}$.
 - ALL DIMENSIONS EXCEPT FOR MOUNTING HOLE ARE FOR REFERENCE.

EC NO: MF2005-0417 DRWN: KPEVZNER2005/01/20 CHKD: 2005/01/20 APPR: IGUMIN 2005/01/26	QUALITY SYMBOLS	GENERAL TOLERANCES (UNLESS SPECIFIED)	SCALE 100:10	DESIGN UNITS INCH	THIRD ANGLE PROJECTION	REVISE ON CAD ONLY	
	DESCRIPTION SMC ADAPTER	4 PLACES ± --- ± 3 PLACES ± 0.13 ± .005 2 PLACES ± 0.38 ± .015 1 PLACE ± --- ± ---	DIMENSION STYLE IN/MM		TITLE SMC ADAPTER		
		ANGULAR ± 1 °	DRAWN BY NG	DATE 2002.02.26	MATERIAL NO. SEE TABLE 5D-86107-0X00		
		DRAFT WHERE APPLICABLE MUST REMAIN WITHIN DIMENSIONS	CHECKED BY YGB	DATE 2002.02.26	DOCUMENT NO. 5D-86107-0X00	SHEET NO. 1 OF 1	
REV	THIS DRAWING CONTAINS INFORMATION THAT IS PROPRIETARY TO MOLEX INCORPORATED AND SHOULD NOT BE USED WITHOUT WRITTEN PERMISSION						