



Chipsmall Limited consists of a professional team with an average of over 10 year of expertise in the distribution of electronic components. Based in Hongkong, we have already established firm and mutual-benefit business relationships with customers from,Europe,America and south Asia,supplying obsolete and hard-to-find components to meet their specific needs.

With the principle of “Quality Parts,Customers Priority,Honest Operation,and Considerate Service”,our business mainly focus on the distribution of electronic components. Line cards we deal with include Microchip,ALPS,ROHM,Xilinx,Pulse,ON,Everlight and Freescale. Main products comprise IC,Modules,Potentiometer,IC Socket,Relay,Connector.Our parts cover such applications as commercial,industrial, and automotives areas.

We are looking forward to setting up business relationship with you and hope to provide you with the best service and solution. Let us make a better world for our industry!



Contact us

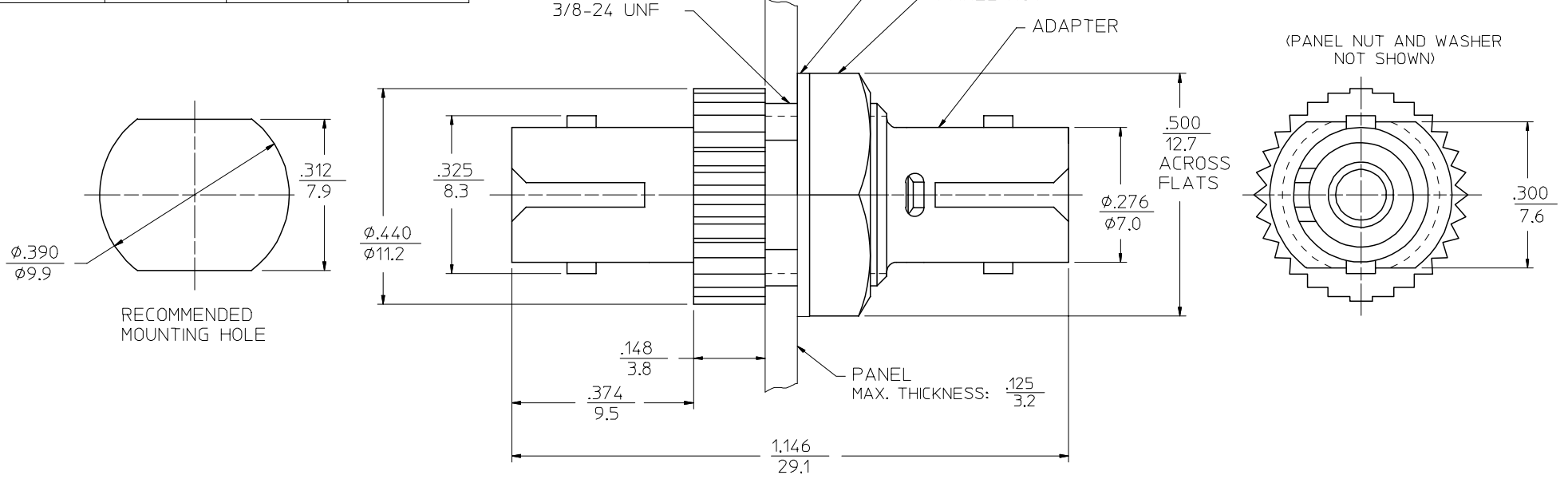
Tel: +86-755-8981 8866 Fax: +86-755-8427 6832

Email & Skype: info@chipsmall.com Web: www.chipsmall.com

Address: A1208, Overseas Decoration Building, #122 Zhenhua RD., Futian, Shenzhen, China



ADAPTER P/N	ALIGNMENT SLEEVE MATERIAL	RETAINING RING COLOR	DUST CAP COLOR
86110-1000	CERAMIC	NATURAL	BLACK
86112-1000	PHOSPHOR BRONZE	YELLOW	RED
86112-1100*			
86113-1000	PLASTIC	BLACK	RED
86113-1020*			
86113-1100			BLACK



NOTES:

- 1. DUST CAPS ARE NOT SHOWN BUT INCLUDED.
- *2. P/N 86113-1020 AND P/N 86112-1100 ARE BULK PACKED IN QUANTITY OF 100 PIECES.

ENTER DESCRIPTION EC NO: MF2005-0347 TDRWN:LKATARZI 2004/12/07 CHKD: APPR: GUMIN 2004/12/07 REV	QUALITY SYMBOLS	GENERAL TOLERANCES (UNLESS SPECIFIED)	SCALE 5:1	DESIGN UNITS INCH	THIRD ANGLE PROJECTION	REVISE ON CAD ONLY															
	▽ = 0	<table border="1"> <thead> <tr> <th></th> <th>mm</th> <th>INCH</th> </tr> </thead> <tbody> <tr> <td>4 PLACES</td> <td>± .005</td> <td>± .0005</td> </tr> <tr> <td>3 PLACES</td> <td>± .004</td> <td>± .0004</td> </tr> <tr> <td>2 PLACES</td> <td>± .003</td> <td>± .0003</td> </tr> <tr> <td>1 PLACE</td> <td>± .002</td> <td>± .0002</td> </tr> </tbody> </table>		mm	INCH	4 PLACES	± .005	± .0005	3 PLACES	± .004	± .0004	2 PLACES	± .003	± .0003	1 PLACE	± .002	± .0002	DIMENSION STYLE IN/MM	TITLE ST TYPE ADAPTER (METAL BODY)		
		mm	INCH																		
	4 PLACES	± .005	± .0005																		
3 PLACES	± .004	± .0004																			
2 PLACES	± .003	± .0003																			
1 PLACE	± .002	± .0002																			
▽C = 0	ANGULAR ±1/2°	DRAWN BY GUMIN	DATE 4/9/93	CHECKED BY	DATE																
	DRAFT WHERE APPLICABLE MUST REMAIN WITHIN DIMENSIONS	APPROVED BY IGROIS	DATE 4/9/93	MATERIAL NO. SEE TABLE	DOCUMENT NO. 8611X-1000CD	SHEET NO. 1 OF 1															

THIS DRAWING CONTAINS INFORMATION THAT IS PROPRIETARY TO MOLEX INCORPORATED AND SHOULD NOT BE USED WITHOUT WRITTEN PERMISSION