



Chipsmall Limited consists of a professional team with an average of over 10 year of expertise in the distribution of electronic components. Based in Hongkong, we have already established firm and mutual-benefit business relationships with customers from,Europe,America and south Asia,supplying obsolete and hard-to-find components to meet their specific needs.

With the principle of “Quality Parts,Customers Priority,Honest Operation,and Considerate Service”,our business mainly focus on the distribution of electronic components. Line cards we deal with include Microchip,ALPS,ROHM,Xilinx,Pulse,ON,Everlight and Freescale. Main products comprise IC,Modules,Potentiometer,IC Socket,Relay,Connector.Our parts cover such applications as commercial,industrial, and automotives areas.

We are looking forward to setting up business relationship with you and hope to provide you with the best service and solution. Let us make a better world for our industry!



## Contact us

Tel: +86-755-8981 8866 Fax: +86-755-8427 6832

Email & Skype: info@chipsmall.com Web: www.chipsmall.com

Address: A1208, Overseas Decoration Building, #122 Zhenhua RD., Futian, Shenzhen, China





THE INFORMATION CONTAINED HEREIN IS CONSIDERED "PROPRIETARY" TO BEL FUSE INC. AND SHALL NOT BE COPIED, REPRODUCED OR DISCLOSED WITHOUT THE WRITTEN APPROVAL OF BEL FUSE INC.

LED1 POLARITY			LED2 POLARITY			
PIN 11	PIN 12	COLOR	PIN 15	PIN 14	PIN 13	COLOR
-	+	YELLOW	-	+	/	ORANGE
/	/	/	/	+	-	GREEN
/	/	/	-	+	-	MIXED YELLOW

PRELIMINARY



**ELECTRICAL CHARACTERISTICS @ 25°C**

**URNS RATIO**

TP1	1CT : 1CT ±2%
TP2	1CT : 1CT ±2%
TP3	1CT : 1CT ±2%
TP4	1CT : 1CT ±2%

**QCL @ 100kHz/100mVRMS**

8mA DC BIAS 350µH MIN.

**INS. LOSS**

1MHz TO 100MHz -1.2 dB MAX

**RET. LOSS (MIN) @ 100ΩHMS ±15%**

0.5MHz-40MHz -18 dB  
40MHz-100MHz -12+20LOG(f/80MHz) dB

**Cross Talk**

Ch1-Ch2, Ch2-Ch3, Ch3-Ch4, Ch4-Ch1, Ch2-Ch4, Ch3-Ch1  
1MHz - 30MHz -35dB MIN  
30MHz - 80MHz -24dB MIN  
80MHz - 100MHz -25dB MIN

**CM TO CM REJ**

100kHz - 100MHz -30 dB MIN

**CM TO DM REJ**

100kHz - 100MHz -35 dB MIN

**HIPOT (Isolation Voltage):**

1500 Vrms

100% OF PRODUCTION TESTED TO COMPLY WITH IEEE 802.3 ISOLATION REQUIREMENTS.

**LED 1**

VF (FORWARD VOLTAGE) IF=20mA YELLOW 2.1V TYP.  
λ D (DOMINANT WAVELENGTH) IF=20mA YELLOW 590nm TYP.

**LED 2**

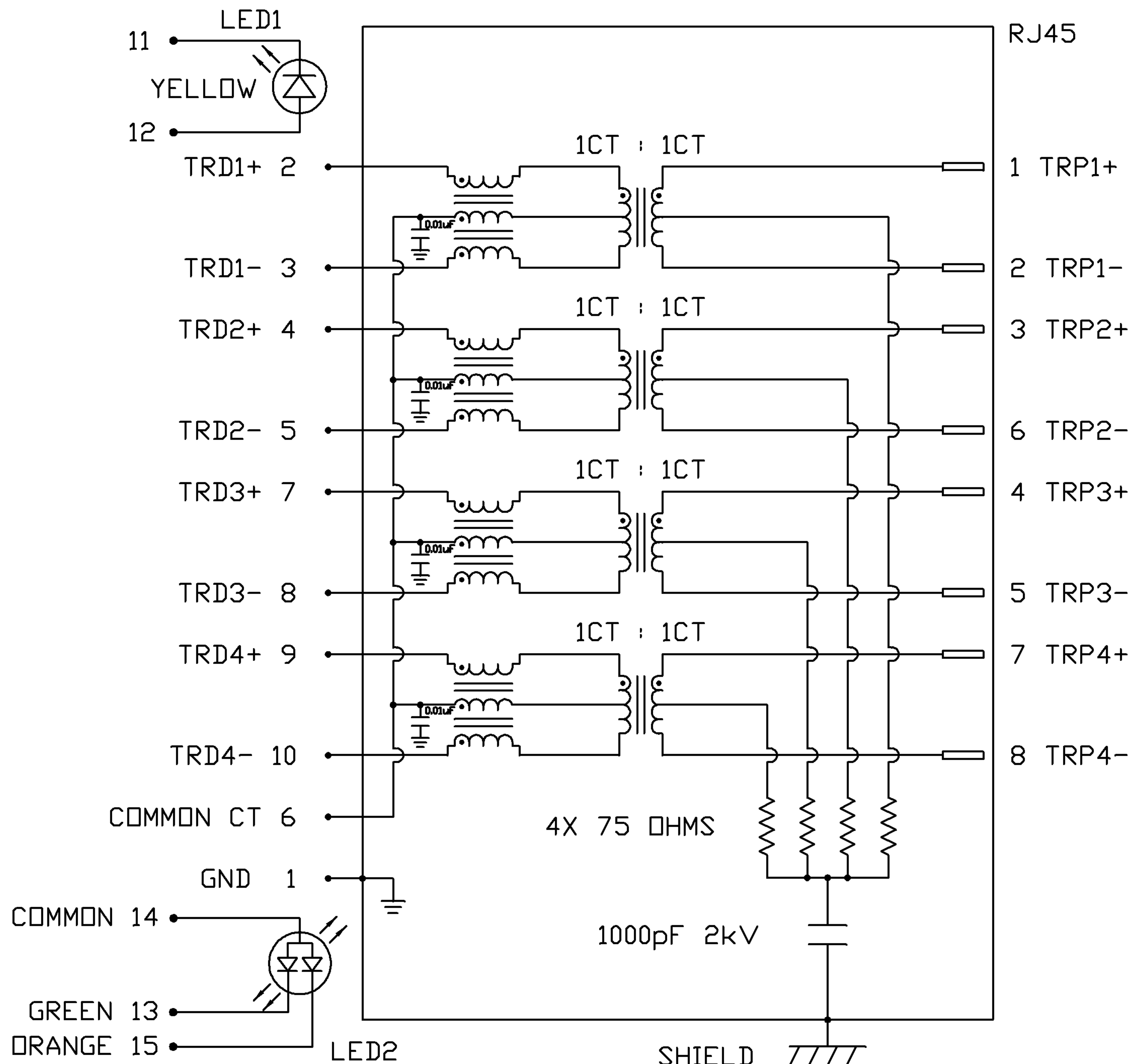
VF (FORWARD VOLTAGE) IF=20mA YELLOW GREEN 2.2V TYP.  
AMBER 2.1V TYP.  
λ D (DOMINANT WAVELENGTH) IF=20mA YELLOW GREEN 570nm TYP.  
AMBER 607nm TYP.

MIXED YELLOW DOES NOT HAVE SPECIFIC WAVELENGTH.

**USB ELECTRICAL:**

INSULATION RESISTANCE: 1000 MEGA Ω(MIN)  
CONTACT RESISTANCE: 25 MILLIΩ(MAX)  
DIELECTRIC WITHSTANDING: 750 VAC

**SCHEMATIC**



<b>ORIGINATED BY</b>	<b>DATE</b>
CHOW WANCHUNG	05-20-08
<b>DRAWN BY</b>	<b>DATE</b>
DENG PING	05-20-08

<b>TITLE</b>
gigabit MagJack® Combo (Dual Stuff Option, 8 cores)

<b>PART NO. / DRAWING NO.</b>
08621JX143-F
<b>FILE NAME</b>
08621JX143-F_PA.DWG

<b>STANDARD DIM. TOL. IN INCH</b>	<b>[ ] METRIC DIM. AS REFERENCE</b>
.X	UNIT : INCH [mm]
.XX	SCALE : N/A
.XXX	REV. : PA
	SIZE : A4
	PAGE : 2

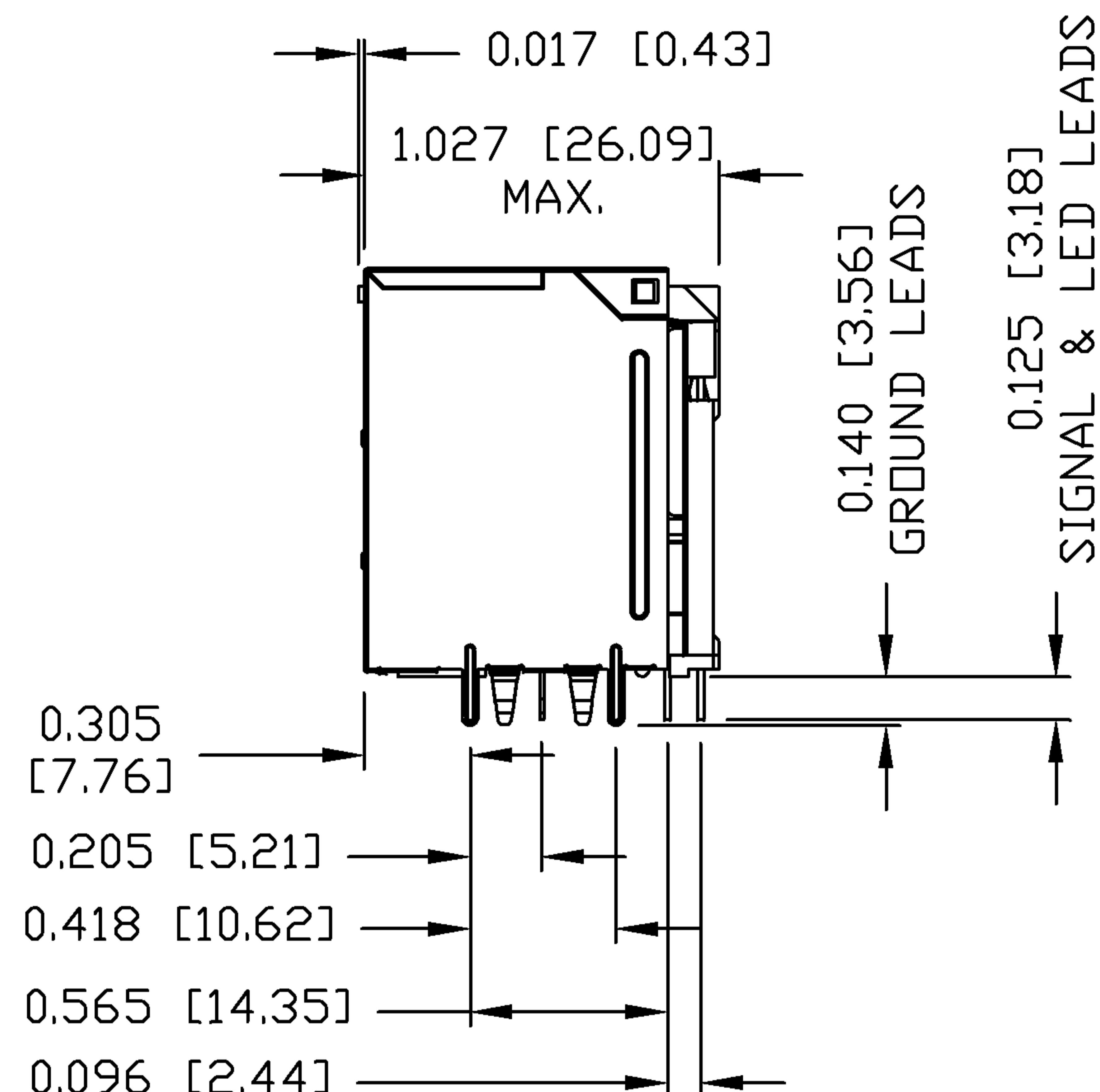
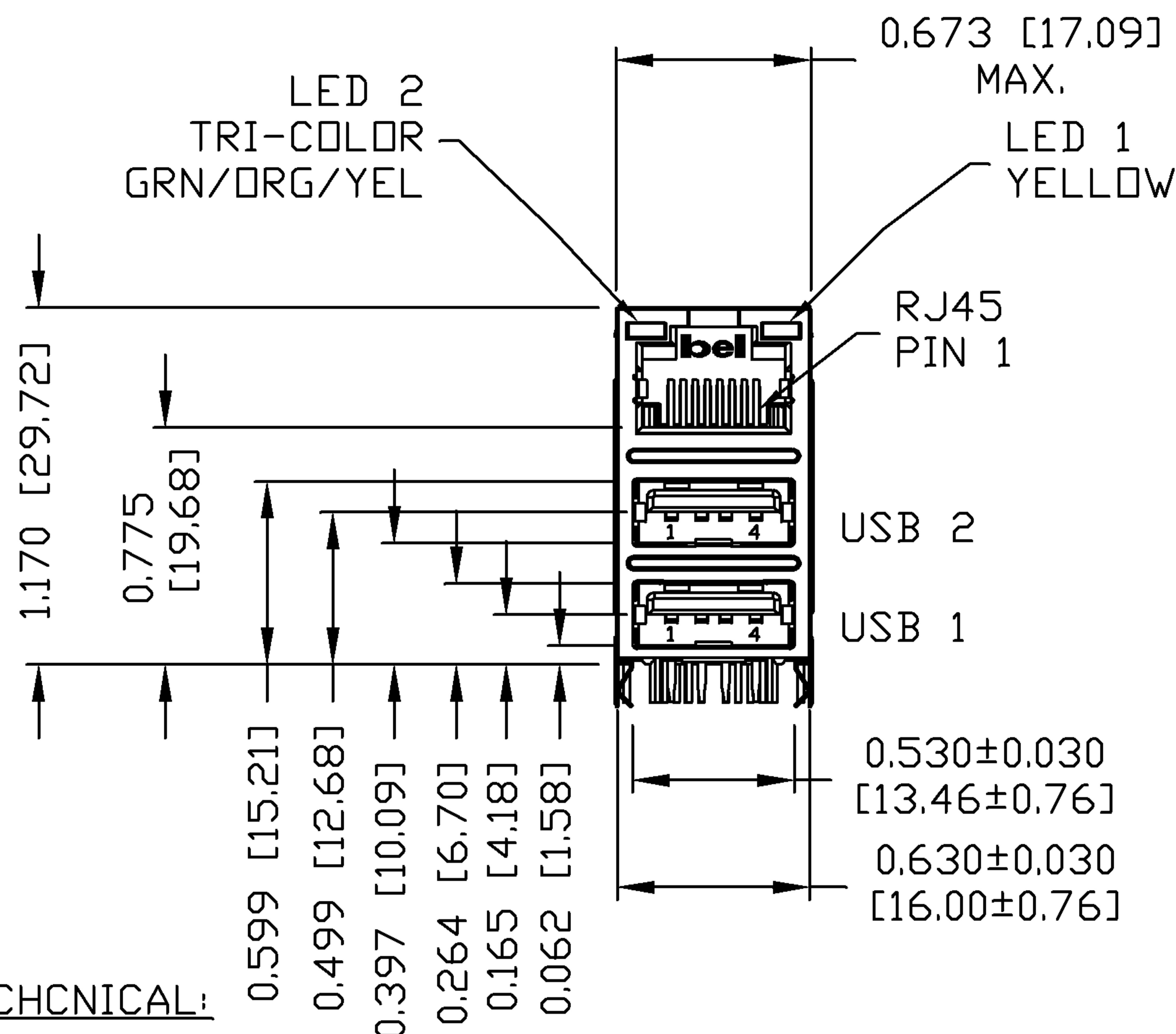
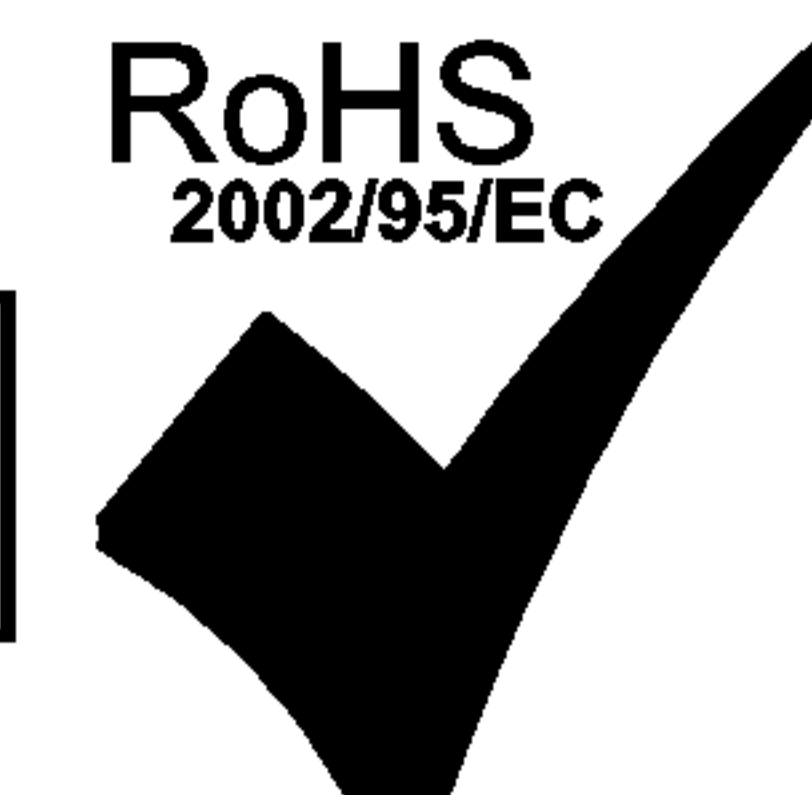


THE INFORMATION CONTAINED HEREIN IS CONSIDERED "PROPRIETARY" TO BEL FUSE INC. AND SHALL NOT BE COPIED, REPRODUCED OR DISCLOSED WITHOUT THE WRITTEN APPROVAL OF BEL FUSE INC.

MECHANICAL SPECIFICATION

RoHS  
2002/95/EC

PRELIMINARY



RJ45 MECHANICAL:

PLASTIC HOUSING: THERMOPLASTIC PBT  
 FLAMMABILITY RATING UL 94V-0  
 CONTACT PLATING: 30 MICRO-INCH HARD GOLD PLATING  
 PINS: TIN-COATED COPPER WIRE, DIA 0.018 INCH.  
 METAL SHIELD: NICKEL PLATED ON COPPER ALLOY.  
 (ALL GROUND LEADS ARE SOLDER DIPPED)

USB MECHANICAL:

MATING FORCE: 35 NEWTONS MAXIMUM  
 UNMATING FORCE: 10 NEWTONS MINIMUM  
 CONTACT: PROSPHER BRONZE,  
 30 MICRO-INCH GOLD PLATING  
 ON CONTACT AREA AND LEAD-FREE  
 TIN ON SOLDER TAIL.

[1] MARK PART WITH MFG LOGO, MFG NAME, PART NUMBER, AND DATE CODE.

2. RoHS COMPLIANCE, PER EU DIRECTIVE 2002/95/EC.

UL RECOGNIZED - FILE #E196366 AND E169987.

ORIGINATED BY	DATE	TITLE	PART NO. / DRAWING NO.	STANDARD DIM. TOL. IN INCH	[ ] METRIC DIM. AS REFERENCE
ZX HUANG	05-20-08	gigabit MagJack® Combo (Dual Stuff Option, 8 cores)	08621JX143-F	.X	UNIT : INCH [mm] REV. : PA
DRAWN BY	DATE		FILE NAME	.XX	SCALE : N/A SIZE : A4
LU XUEPING	05-20-08	0862-1JX1-43-F	08621JX143-F_PA.DWG	.XXX ±0.010	PAGE : 3



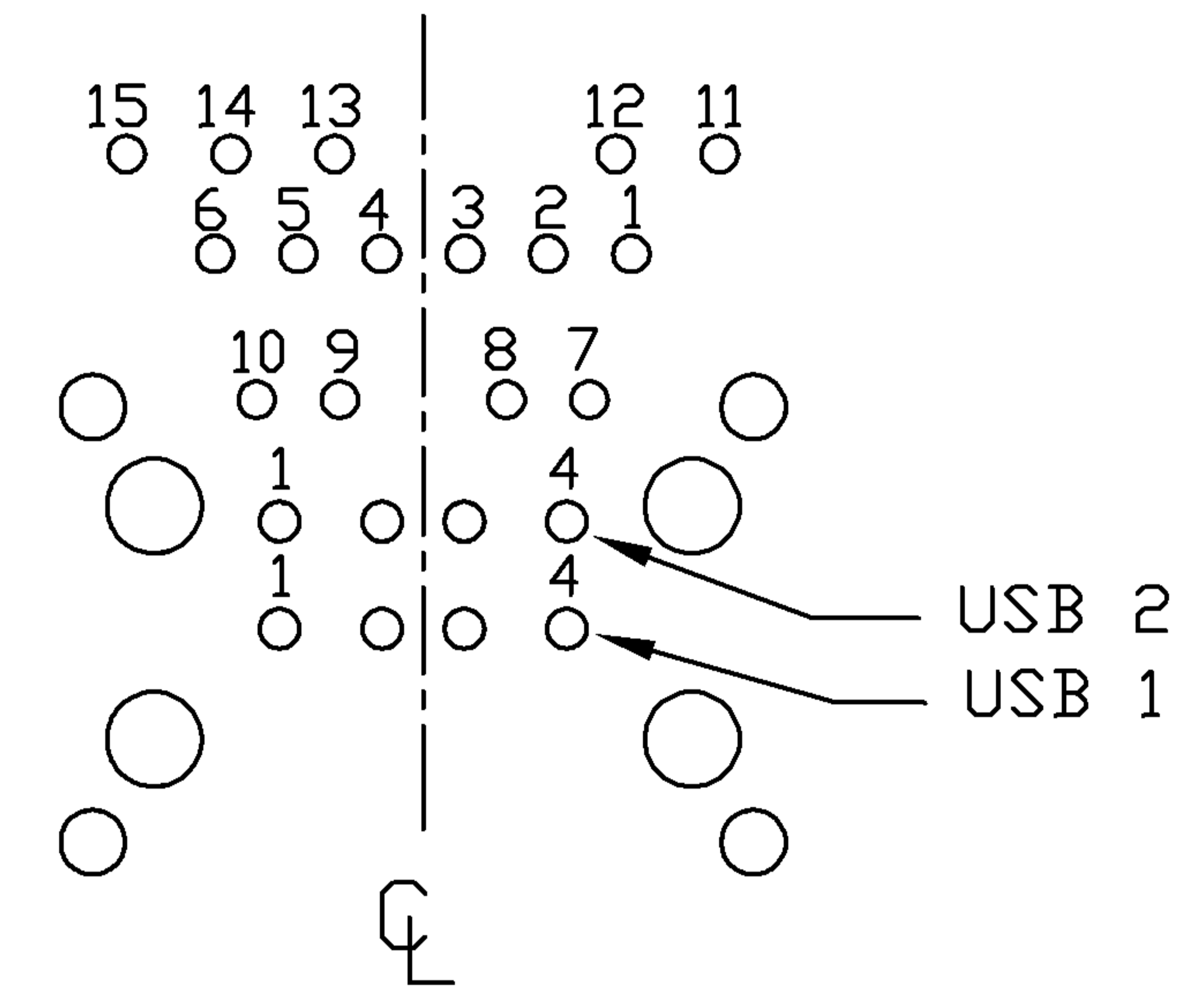
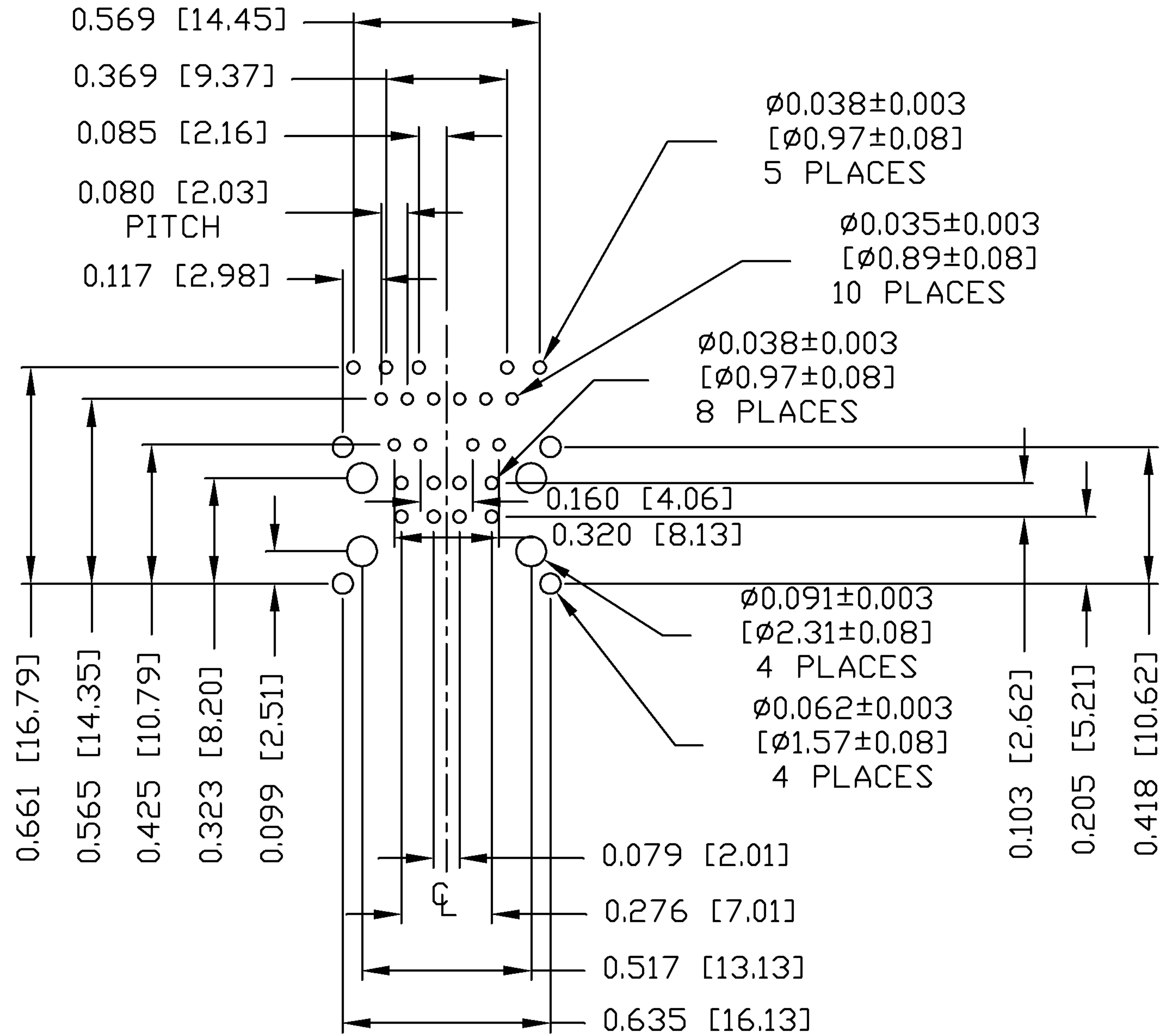


THE INFORMATION CONTAINED HEREIN IS CONSIDERED "PROPRIETARY" TO BEL FUSE INC. AND SHALL NOT BE COPIED, REPRODUCED OR DISCLOSED WITHOUT THE WRITTEN APPROVAL OF BEL FUSE INC.

RoHS  
2002/95/EC



PRELIMINARY



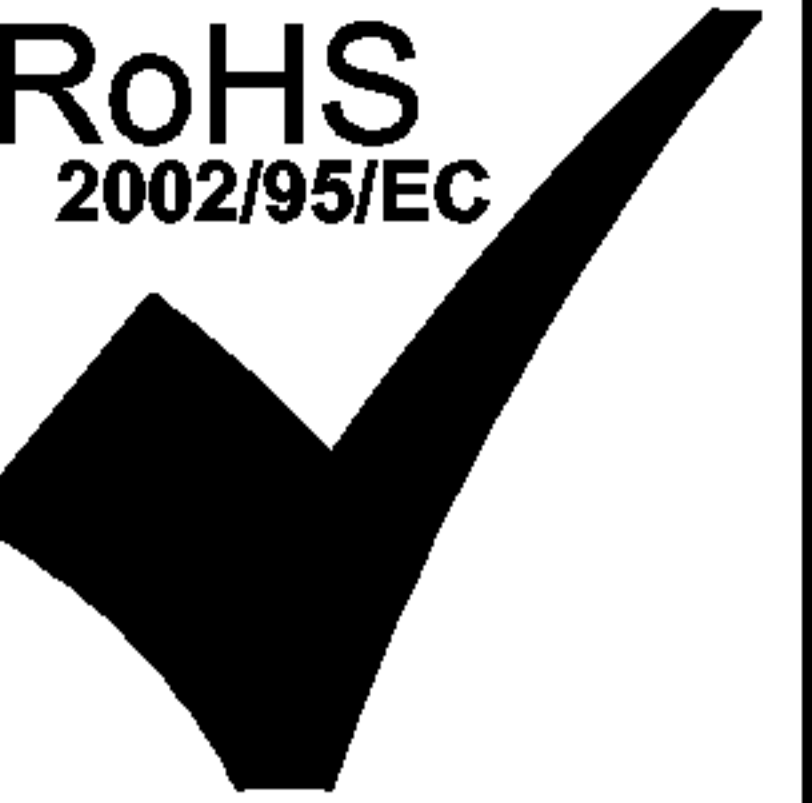
PIN ASSIGNMENT  
SCALE 3:2

RECOMMENDED PCB FOOTPRINT  
COMPONENT SIDE VIEW

ORIGINATED BY ZX HUANG	DATE 05-20-08	TITLE gigabit MagJack® Combo (Dual Stuff Option, 8 cores) 0862-1JX1-43-F	PART NO. / DRAWING NO. 08621JX143-F	STANDARD DIM. TOL. IN INCH	[ ] METRIC DIM. AS REFERENCE	 COMPONENTS FOR A CONNECTED PLANET
DRAWN BY LU XUEPING	DATE 05-20-08		FILE NAME 08621JX143-F_PA.DWG	.X	UNIT : INCH [mm]	
			.XX	SCALE : N/A	SIZE : A4	
			.XXX	±0.005	PAGE : 4	

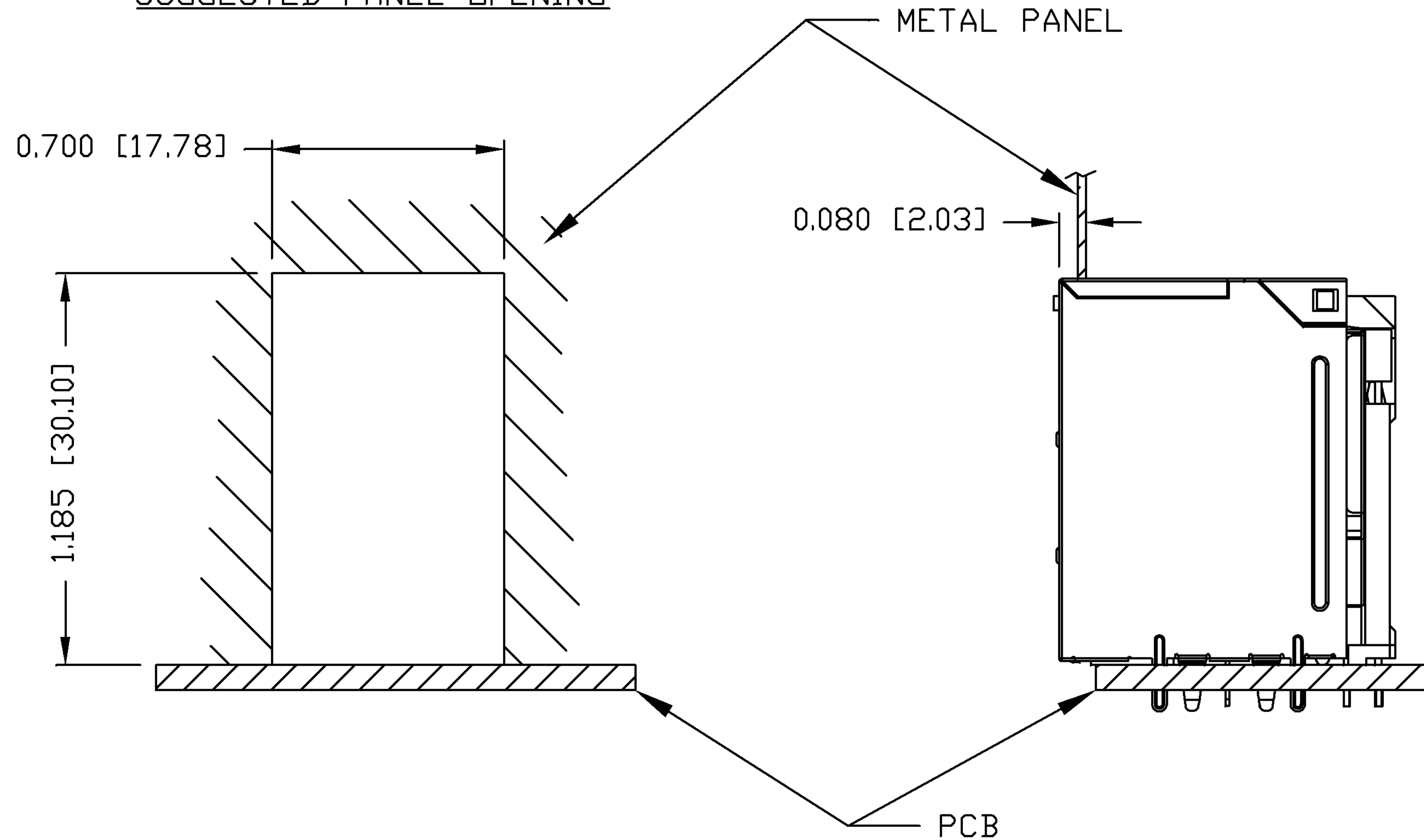
THE INFORMATION CONTAINED HEREIN IS CONSIDERED "PROPRIETARY" TO BEL FUSE INC. AND SHALL NOT BE COPIED, REPRODUCED OR DISCLOSED WITHOUT THE WRITTEN APPROVAL OF BEL FUSE INC.

RoHS  
2002/95/EC



PRELIMINARY

SUGGESTED PANEL OPENING



NOTE:

THE DISTANCE OF PANEL INSIDE SURFACE RELATIVE TO FRONT SURFACE OF PART IS ONLY A SUGGESTION. IN CASE THIS DISTANCE IS DIFFERENT, THE REQUIRED PANEL OPENING DIMENSIONS CHANGE ACCORDINGLY.

PACKING INFORMATION

PACKING TRAY : 0200-9999-A3

PACKING QUANTITY : 42 PCS FINISHED GOODS PER TRAY

10 TRAYS (420PCS FINISHED GOODS) PER CARTON BOX

NOTE : CARDBOARDS ARE PLACED BETWEEN LAYERS OF PACKING TRAY INSIDE CARTON BOX (INCLUDE THE UPPERMOST AND LOWERMOST TRAY)

ORIGINATED BY ZX HUANG	DATE 05-20-08	TITLE gigabit MagJack® Combo (Dual Stuff Option, 8 cores)	PART NO. / DRAWING NO. 08621JX143-F	STANDARD DIM. TOL. IN INCH	[ ] METRIC DIM. AS REFERENCE		 COMPONENTS FOR A CONNECTED PLANET
DRAWN BY LU XUEPING	DATE 05-20-08		FILE NAME 08621JX143-F_PA.DWG	.X	UNIT : INCH [mm]	REV. : PA	
			.XX	SCALE : N/A	SIZE : A4		
			.XXX	±0.005	PAGE : 5		