



Chipsmall Limited consists of a professional team with an average of over 10 year of expertise in the distribution of electronic components. Based in Hongkong, we have already established firm and mutual-benefit business relationships with customers from,Europe,America and south Asia,supplying obsolete and hard-to-find components to meet their specific needs.

With the principle of “Quality Parts,Customers Priority,Honest Operation,and Considerate Service”,our business mainly focus on the distribution of electronic components. Line cards we deal with include Microchip,ALPS,ROHM,Xilinx,Pulse,ON,Everlight and Freescale. Main products comprise IC,Modules,Potentiometer,IC Socket,Relay,Connector.Our parts cover such applications as commercial,industrial, and automotives areas.

We are looking forward to setting up business relationship with you and hope to provide you with the best service and solution. Let us make a better world for our industry!



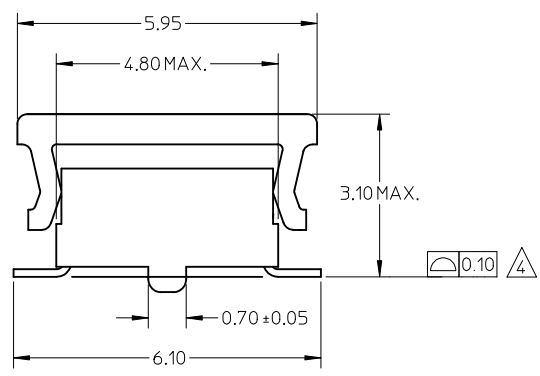
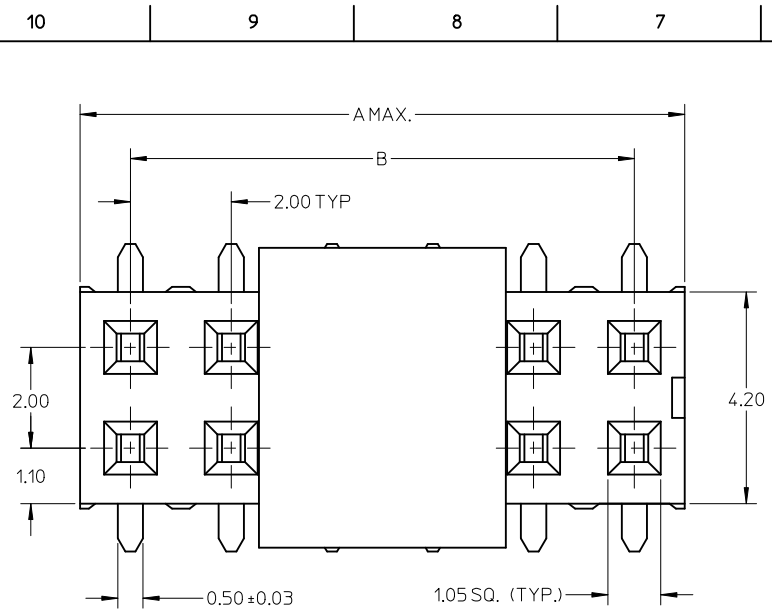
Contact us

Tel: +86-755-8981 8866 Fax: +86-755-8427 6832

Email & Skype: info@chipsmall.com Web: www.chipsmall.com

Address: A1208, Overseas Decoration Building, #122 Zhenhua RD., Futian, Shenzhen, China



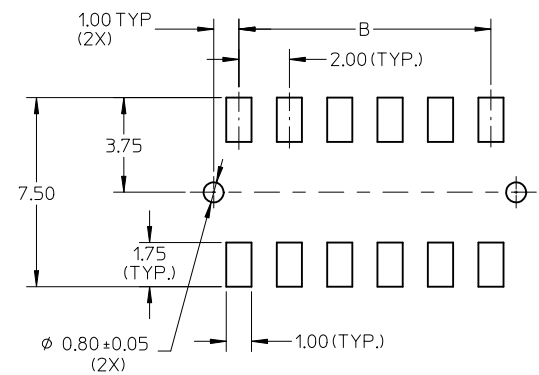
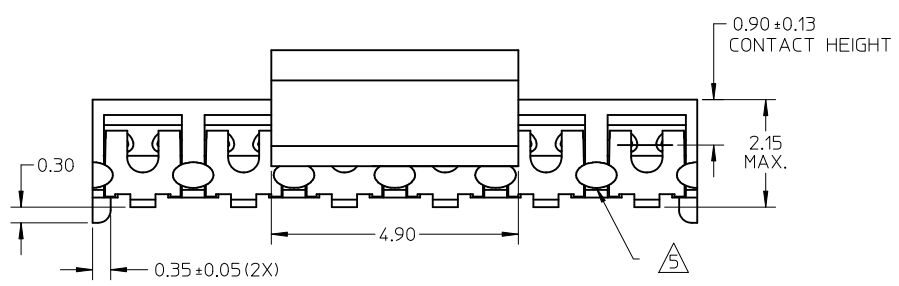


PART NUMBER W/CAP IN TUBE	CKT. SIZE	DIM. A	DIM. B
87340-04*5	4	4.00	2.00
87340-06*5	6	6.00	4.00
87340-08*5	8	8.00	6.00
87340-10*5	10	10.00	8.00
87340-12*5	12	12.00	10.00
87340-14*5	14	14.00	12.00
87340-16*5	16	16.00	14.00
87340-18*5	18	18.00	16.00
87340-20*5	20	20.00	18.00

PART NO. LEGEND
 87340-****
 └─ PACKAGING
 5 - TUBE
 6 - T&R
 └─ PLATING SEE NOTE 3
 └─ CIRCUIT SIZE

NOTES:

- FOR ILLUSTRATION PURPOSES, DRAWING SHOWS PART WITH 12 CIRCUIT SIZE.
- MATERIAL:
HOUSING:
LCP GLASS FILLED, UL 94V-0
SUITABLE FOR SURFACE-MOUNT SOLDERING PROCESS.
COLOR BLACK
TERMINAL: PHOSPHOR BRONZE ALLOY.
- PLATING- 9 : 0.38μM MINIMUM GOLD PLATE AT CONTACT AREA, AND 1.90μM MINIMUM TIN PLATE AT P.C TAIL AREA, BOTH OVER 1.27μM MINIMUM NICKEL OVERALL.
3 : 0.05-0.25μM GOLD PLATE AT CONTACT AREA, AND 1.90μM MINIMUM TIN PLATE AT P.C TAIL AREA, BOTH OVER 1.27μM MINIMUM NICKEL OVERALL.
- COPLANARITY OF P.C TAIL TO BE MEASURED BY RESTING THE PART ON A FLAT GAGE SURFACE.
- THIS AREA OF PART TO BE HEAT-STAKED TO RETAIN CONTACTS.
- POSITION OF CAP TO BE LOCATED AT CENTER OF DIMENSION "A" REGARDLESS OF CIRCUIT SIZE.
- PRODUCT SPECIFICATION PS-87340 APPLIES.
- PART TO BE PACKAGED IN TAPE-&-REEL. SEE SHEET 2 FOR PACKAGING DETAILS.
- CONTACT FACTORY FOR PARTS AVAILABILITY.



RECOMMENDED SOLDER PAD DESIGN

ADD AU FLASH OPTION EC NO: S2012-0433 DRWN:SKANG 2011/11/23 CHKD:ATSEE 2011/12/07 APPR:MLONG 2011/12/07	QUALITY SYMBOLS ▽=0 ◻=0	GENERAL TOLERANCES (UNLESS SPECIFIED)		DIMENSION STYLE MM ONLY	SCALE NTS	DESIGN UNITS METRIC	THIRD ANGLE PROJECTION		
		mm	INCH	DRAWN BY	DATE	TITLE			
		4 PLACES	± ---	± ---	JWAN	1995/01/25	MGRID, VLPR II TOP ENTRY RECEPT., SMT W/CAP FOR PICK-&-PLACE		
		3 PLACES	± ---	± ---	CHECKED BY	DATE			
2 PLACES	± 0.20	± ---	SKTOH	1995/01/25	MOLEX INCORPORATED				
1 PLACE	± ---	± ---	APPROVED BY	DATE					
ANGULAR ± 3 °		DRAFT WHERE APPLICABLE MUST REMAIN WITHIN DIMENSIONS		MATERIAL NO.	DOCUMENT NO.	SHEET NO.			
				SEE TABLE	SD-87340-***92	1 OF 2			
				THIS DRAWING CONTAINS INFORMATION THAT IS PROPRIETARY TO MOLEX INCORPORATED AND SHOULD NOT BE USED WITHOUT WRITTEN PERMISSION					

