



Chipsmall Limited consists of a professional team with an average of over 10 year of expertise in the distribution of electronic components. Based in Hongkong, we have already established firm and mutual-benefit business relationships with customers from,Europe,America and south Asia,supplying obsolete and hard-to-find components to meet their specific needs.

With the principle of "Quality Parts,Customers Priority,Honest Operation,and Considerate Service",our business mainly focus on the distribution of electronic components. Line cards we deal with include Microchip,ALPS,ROHM,Xilinx,Pulse,ON,Everlight and Freescale. Main products comprise IC,Modules,Potentiometer,IC Socket,Relay,Connector.Our parts cover such applications as commercial,industrial, and automotives areas.

We are looking forward to setting up business relationship with you and hope to provide you with the best service and solution. Let us make a better world for our industry!



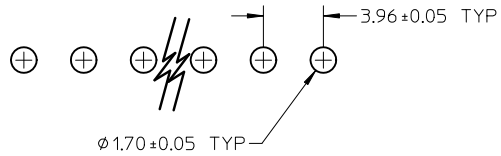
## Contact us

Tel: +86-755-8981 8866 Fax: +86-755-8427 6832

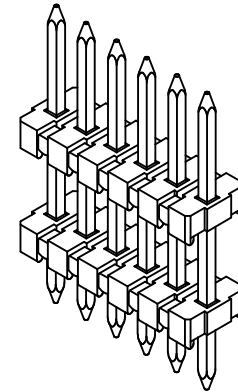
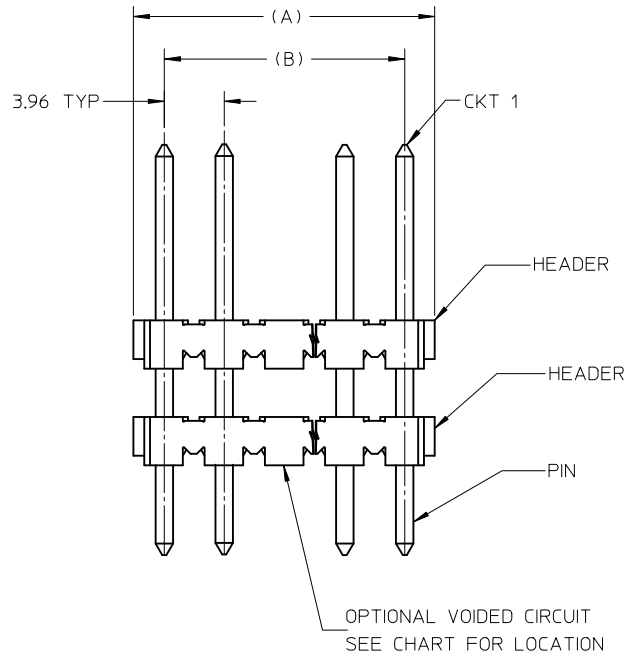
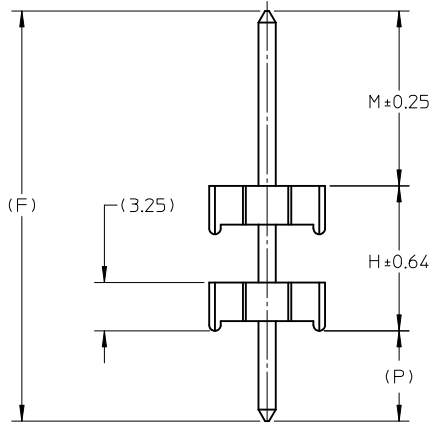
Email & Skype: info@chipsmall.com Web: www.chipsmall.com

Address: A1208, Overseas Decoration Building, #122 Zhenhua RD., Futian, Shenzhen, China





PCB LAYOUT : COMPONENT SIDE  
RECOMMENDED PCB THICKNESS : 1.57



6 CKT ISO SHOWN FOR REF. ONLY

CKT SIZE	A	B
4	15.26	11.89
5	19.22	15.85
6	23.18	19.81
7	27.14	23.77
8	31.11	27.74
9	35.07	31.70
10	39.03	35.66
11	42.99	39.62
12	46.96	43.59
13	50.92	47.55
14	54.88	51.51
15	58.84	55.47
16	62.81	59.44
17	66.77	63.40
18	70.73	67.36
19	74.69	71.32
20	78.66	75.29
21	82.62	79.25
22	86.58	83.21
23	90.54	87.17
24	94.49	91.14

NOTES :

- MATERIAL :  
HOUSING : POLYESTER, UL94V-0, COLOR : BLACK  
PIN : 1.14MM SQ PIN BRASS.
- FINISH :  
(1) : 5.08µm MIN TIN OVER 2.54µm MIN COPPER OVERALL.  
(2) : 0.38µm MIN GOLD OVER 1.25µm MIN NICKEL OVERALL.  
(3) : 2.50µm MIN TIN OVER 1.25µm MIN NICKEL OVERALL.  
(4) : 0.38µm MIN GOLD OVER 2.50µm MIN TIN OVER 1.25µm MIN NICKEL OVERALL.
- PRODUCT SPECIFICATION : PS-68340-014.
- PARTS ARE NOT STACKABLE ON 3.96MM CENTERS.

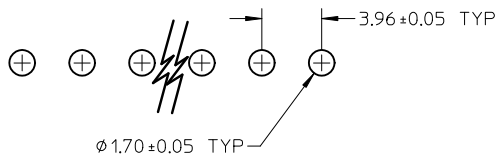
<b>REVISED</b> EC NO: S2010-0518 DRWN:SKANG 2009/12/21 CHKD:ATSEE 2010/01/08 APPR:MLONG 2010/01/09	QUALITY SYMBOLS	GENERAL TOLERANCES (UNLESS SPECIFIED)	DIMENSION STYLE	SCALE	DESIGN UNITS	THIRD ANGLE PROJECTION															
	$\nabla=0$ $\square=0$	<table border="1"> <thead> <tr> <th></th> <th>mm</th> <th>INCH</th> </tr> </thead> <tbody> <tr> <td>4 PLACES</td> <td>± ---</td> <td>± ---</td> </tr> <tr> <td>3 PLACES</td> <td>± ---</td> <td>± ---</td> </tr> <tr> <td>2 PLACES</td> <td>± 0.25</td> <td>± ---</td> </tr> <tr> <td>1 PLACE</td> <td>± ---</td> <td>± ---</td> </tr> </tbody> </table>		mm	INCH	4 PLACES	± ---	± ---	3 PLACES	± ---	± ---	2 PLACES	± 0.25	± ---	1 PLACE	± ---	± ---	MM ONLY	NTS	METRIC	
		mm	INCH																		
	4 PLACES	± ---	± ---																		
3 PLACES	± ---	± ---																			
2 PLACES	± 0.25	± ---																			
1 PLACE	± ---	± ---																			
DESCRIPTION	ANGULAR ± 1/2°	DRAWN BY: SKANG DATE: 2009/06/15 CHECKED BY: ATSEE DATE: 2009/06/26 APPROVED BY: MLONG DATE: 2010/01/08	TITLE	<b>CUSTOM HEADER 3.96MM BREAKAWAY SINGLE ROW / DUAL BODY</b>																	
REV	A1	DRAFT WHERE APPLICABLE MUST REMAIN WITHIN DIMENSIONS	SIZE	<b>MOLEX INCORPORATED</b>	MATERIAL NO.	DOCUMENT NO.	SHEET NO.														
			A3	<b>SEE TABLE</b> <b>SD-87447-001</b>			1 OF 2														
THIS DRAWING CONTAINS INFORMATION THAT IS PROPRIETARY TO MOLEX INCORPORATED AND SHOULD NOT BE USED WITHOUT WRITTEN PERMISSION																					

10 | 9 | 8 | 7 | 6 | 5 | 4 | 3 | 2 | 1

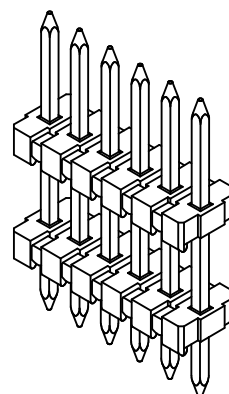
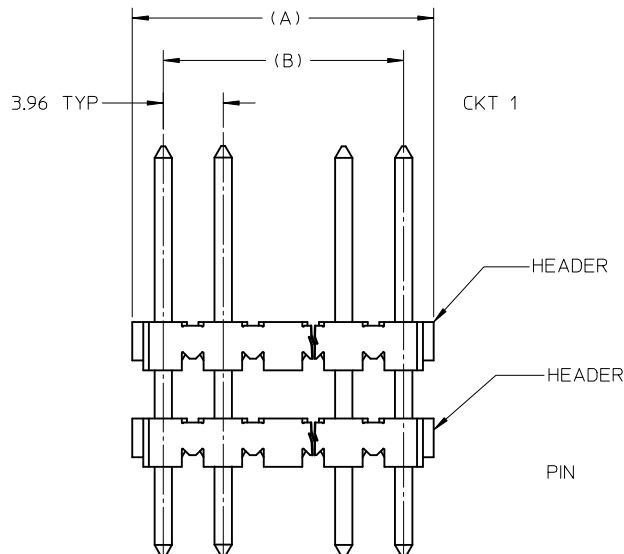
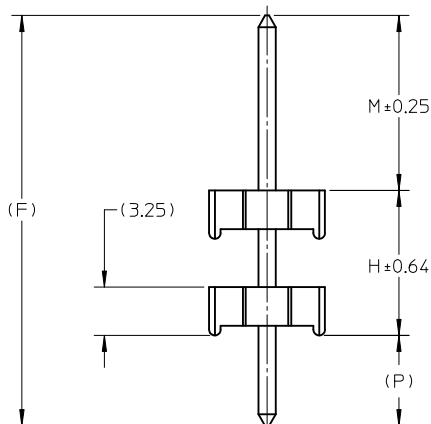
MATERIAL NUMBER	PLATING REFERENCE	DIM F PIN LENGTH	DIM M LENGTH	DIM H HEADER SPACING	DIM P P.C. LENGTH	CKT SIZE	VOIDED CKT NO.	PACK PER
87447-0001	4	43.18	22.23	15.87	5.08	4	3	ES-41679-A1

<b>REVISED</b> EC NO: S2010-0518 DRWN:SKANG 2009/12/21 CHKD:ATSEE 2010/01/08 APPR:MLONG 2010/01/09	QUALITY SYMBOLS	GENERAL TOLERANCES (UNLESS SPECIFIED)	DIMENSION STYLE	SCALE	DESIGN UNITS	THIRD ANGLE PROJECTION	
	= 0 = 0	mm	INCH	MM ONLY	NTS	METRIC	
		4 PLACES	± ---	± ---	DRAWN BY	DATE	TITLE
	DESCRIPTION REV	3 PLACES	± ---	± ---	SKANG	2009/06/15	CUSTOM HEADER 3.96MM BREAKAWAY SINGLE ROW / DUAL BODY
2 PLACES		± 0.25	± ---	CHECKED BY	DATE	MOLEX INCORPORATED	
1 PLACE		± ---	± ---	ATSEE	2009/06/26		MATERIAL NO. SD-87447-001 SHEET NO. 2 OF 2
		ANGULAR ± 1/2°		APPROVED BY	DATE		
				MLONG	2010/01/08		
		DRAFT WHERE APPLICABLE MUST REMAIN WITHIN DIMENSIONS		SEE TABLE			
				SIZE	THIS DRAWING CONTAINS INFORMATION THAT IS PROPRIETARY TO MOLEX INCORPORATED AND SHOULD NOT BE USED WITHOUT WRITTEN PERMISSION		
A1			A3				

9 | 8 | 7 | 6 | 5 | 4 | 3 | 2 | 1



PCB LAYOUT : COMPONENT SIDE  
RECOMMENDED PCB THICKNESS : 1.57



6 CKT ISO SHOWN FOR REF. ONLY

CKT SIZE	A	B
4	15.26	11.89
5	19.22	15.85
6	23.18	19.81
7	27.14	23.77
8	31.11	27.74
9	35.07	31.70
10	39.03	35.66
11	42.99	39.62
12	46.96	43.59
13	50.92	47.55
14	54.88	51.51
15	58.84	55.47
16	62.81	59.44
17	66.77	63.40
18	70.73	67.36
19	74.69	71.32
20	78.66	75.29
21	82.62	79.25
22	86.58	83.21
23	90.54	87.17
24	94.49	91.14

NOTES :

- MATERIAL :  
HOUSING : POLYESTER, UL94V-0, COLOR : BLACK  
PIN : 1.14MM SQ PIN BRASS.
- FINISH :  
(1) : 5.08µm MIN TIN OVER 2.54µm MIN COPPER OVERALL.  
(2) : 0.38µm MIN GOLD OVER 1.25µm MIN NICKEL OVERALL.  
(3) : 2.50µm MIN TIN OVER 1.25µm MIN NICKEL OVERALL.  
(4) : 0.38µm MIN GOLD ON CONTACT AND 2.50µm MIN TIN ON SOLDER TAIL OVER 1.25µm MIN NICKEL OVERALL.
- PRODUCT SPECIFICATION : PS-68340-014.
- PARTS ARE NOT STACKABLE ON 3.96MM CENTERS.
- PARTS TO BE PACKED PER ES-41679-A1.

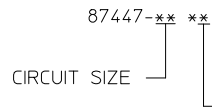
OPTIONAL VOIDED CIRCUIT  
SEE CHART FOR LOCATION

INITIAL RELEASE EC NO: S2010-0876 DRWN:SKANG 2010/04/23 CHKD:ATSEE 2010/04/28 APPR:MLONG 2010/05/06	DESCRIPTION A	QUALITY SYMBOLS	GENERAL TOLERANCES (UNLESS SPECIFIED)	DIMENSION STYLE	SCALE	DESIGN UNITS	THIRD ANGLE PROJECTION
		$\nabla_A = 0$ $\nabla_C = 0$ $\nabla_P = 0$	mm    INCH 4 PLACES ± --- ± --- 3 PLACES ± --- ± --- 2 PLACES ± 0.25 ± --- 1 PLACE ± --- ± --- ANGULAR ± 1/2°	MM ONLY	NTS	METRIC	
			DRAWN BY: SKANG    DATE: 2010/04/23	TITLE: CUSTOM HEADER 3.96MM BREAKAWAY SINGLE ROW / DUAL BODY			
			CHECKED BY: ATSEE    DATE: 2010/04/28	MOLEX INCORPORATED			
			APPROVED BY: MLONG    DATE: 2010/05/05	DOCUMENT NO. SD-87447-002    SHEET NO. 1 OF 2			
			MATERIAL NO. SEE TABLE	THIS DRAWING CONTAINS INFORMATION THAT IS PROPRIETARY TO MOLEX INCORPORATED AND SHOULD NOT BE USED WITHOUT WRITTEN PERMISSION			

10 9 8 7 6 5 4 3 2 1

MATERIAL NUMBER	CKT SIZE	DIM F PIN LENGTH	DIM M LENGTH	DIM H HEADER SPACING	DIM P P.C. LENGTH	VOIDED CKT NO.
87447-0903	9	60.33	25.40	31.75	3.18	-
87447-1002	10	46.03	20.37	22.23	3.43	-
87447-1012	10	66.68	21.97	41.28	3.43	-
87447-1503	15	60.33	25.40	31.75	3.18	-

PART NO. LEGEND



PLATING OPTION

- 1 : 5.08µm MIN TIN OVER 2.54µm MIN COPPER OVERALL.
- 2 : 0.38µm MIN GOLD OVER 1.25µm MIN NICKEL OVERALL.
- 3 : 2.50µm MIN TIN OVER 1.25µm MIN NICKEL OVERALL.
- 4 : 0.38µm MIN GOLD ON CONTACT AND 2.50µm MIN TIN ON SOLDERTAIL OVER 1.25µm MIN NICKEL OVERALL.

INITIAL RELEASE EC NO: S2010-0876 DRWN:SKANG 2010/04/23 CH'KD:ATSEE 2010/04/28 APPR:MLONG 2010/05/06	DESCRIPTION REV	QUALITY SYMBOLS	GENERAL TOLERANCES (UNLESS SPECIFIED)		DIMENSION STYLE MM ONLY		SCALE NTS	DESIGN UNITS METRIC	THIRD ANGLE PROJECTION			
		▽ <sub>A</sub> =0	mm	INCH	DRAWN BY	DATE	TITLE					
		▽ <sub>C</sub> =0	4 PLACES	± ---	± ---	SKANG	2010/04/23	CUSTOM HEADER 3.96MM BREAKAWAY SINGLE ROW / DUAL BODY				
		▽ <sub>P</sub> =0	3 PLACES	± ---	± ---	CHECKED BY	DATE					
	2 PLACES	± 0.25	± ---	ATSEE	2010/04/28	MOLEX INCORPORATED						
	1 PLACE	± ---	± ---	APPROVED BY	DATE							
	ANGULAR ± 1/2°		DRAFT WHERE APPLICABLE MUST REMAIN WITHIN DIMENSIONS		MLONG	2010/05/05	MATERIAL NO. SEE TABLE		DOCUMENT NO. SD-87447-002	SHEET NO. 2 OF 2		
THIS DRAWING CONTAINS INFORMATION THAT IS PROPRIETARY TO MOLEX INCORPORATED AND SHOULD NOT BE USED WITHOUT WRITTEN PERMISSION												

9 8 7 6 5 4 3 2 1