



Chipsmall Limited consists of a professional team with an average of over 10 year of expertise in the distribution of electronic components. Based in Hongkong, we have already established firm and mutual-benefit business relationships with customers from,Europe,America and south Asia,supplying obsolete and hard-to-find components to meet their specific needs.

With the principle of “Quality Parts,Customers Priority,Honest Operation,and Considerate Service”,our business mainly focus on the distribution of electronic components. Line cards we deal with include Microchip,ALPS,ROHM,Xilinx,Pulse,ON,Everlight and Freescale. Main products comprise IC,Modules,Potentiometer,IC Socket,Relay,Connector.Our parts cover such applications as commercial,industrial, and automotives areas.

We are looking forward to setting up business relationship with you and hope to provide you with the best service and solution. Let us make a better world for our industry!



Contact us

Tel: +86-755-8981 8866 Fax: +86-755-8427 6832

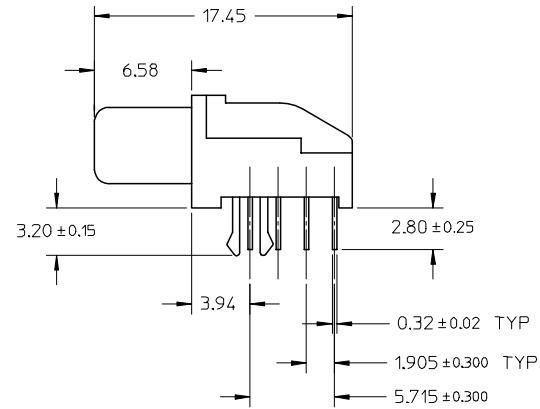
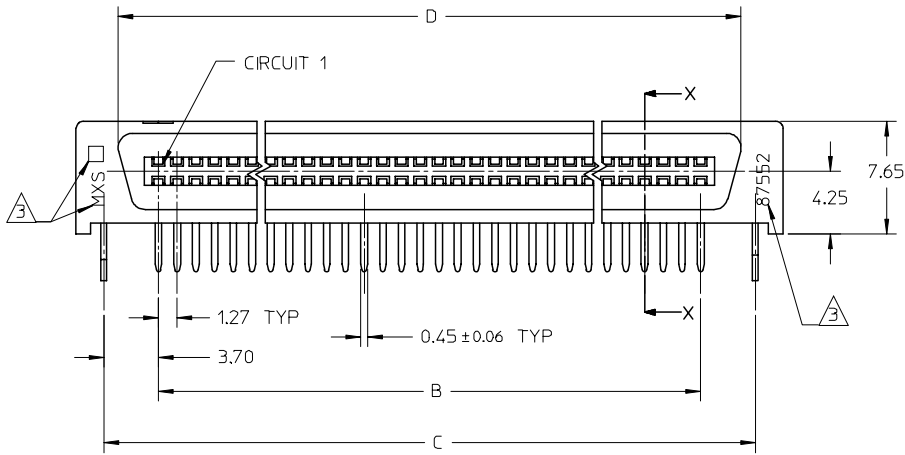
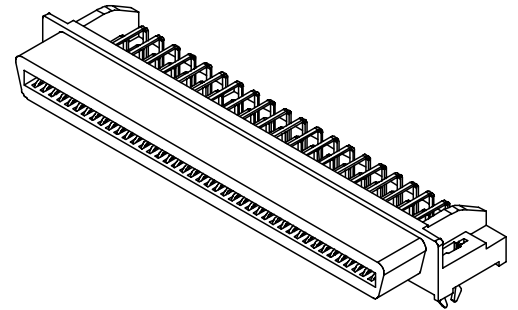
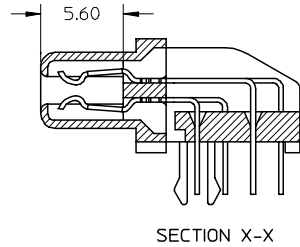
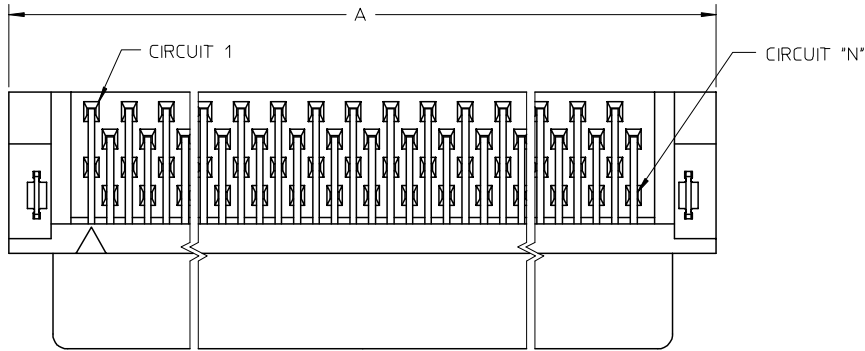
Email & Skype: info@chipsmall.com Web: www.chipsmall.com

Address: A1208, Overseas Decoration Building, #122 Zhenhua RD., Futian, Shenzhen, China



10 9 8 7 6 5 4 3 2 1

ASSEMBLY P/N	CKT SIZE	A	B	C	D
87552-1580	80	60.75	49.53	56.93	55.07



- NOTES:
- MATERIAL:
HOUSING : HIGH TEMPERATURE THERMOPLASTIC, UL 94-V0
TERMINAL AND FORKLOCK : COPPER ALLOY
 - PLATING:
TERMINAL: 0.38µM MIN. GOLD ON CONTACT AREA AND
2.54µM MIN. TIN ON SOLDER TAIL AREA,
BOTH OVER 1.27µM MIN. NICKEL.
FORKLOCK: 2.54µM MIN TIN OVER 1.25µM MIN. NICKEL.
 - MOLEX LOGO, CAVITY AND PART NUMBER LOCATED APPROXIMATELY AS SHOWN
 - ASSEMBLY MATES WITH MOLEX P/N 71661-****.
 - RECOMMENDED PCB THICKNESS IS 1.60MM.
 - PRODUCT SPECIFICATION PS-87552-006 APPLIES

REVISED	DESCRIPTION
EC NO: S2007-1023	2007/05/23
DRWN:SKANG	2007/05/23
CHKD:ATSEE	2007/05/23
APPR:MLONG	2007/05/23
A1	REV

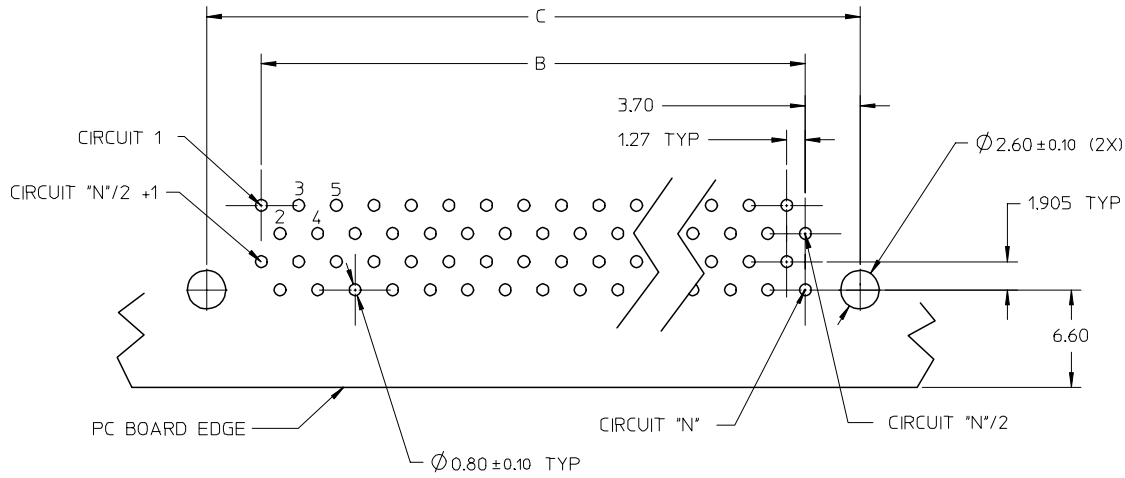
QUALITY SYMBOLS	▽=0
	∇=0

GENERAL TOLERANCES (UNLESS SPECIFIED)	
mm	INCH
4 PLACES ± ---	± ---
3 PLACES ± ---	± ---
2 PLACES ± 0.3	± ---
1 PLACE ± ---	± ---
ANGULAR ± 3 °	
DRAFT WHERE APPLICABLE MUST REMAIN WITHIN DIMENSIONS	

DIMENSION STYLE	
MM ONLY	
DRAWN BY	DATE
ANG	2005/04/15
CHECKED BY	DATE
KCL ING	2005/05/05
APPROVED BY	DATE
SKTOH	2005/05/06
MATERIAL NO.	
SEE TABLE	
SIZE	A3

SCALE	DESIGN UNITS	THIRD ANGLE PROJECTION
NTS	METRIC	☉
TITLE		
EBBI, 1.27MM PITCH RECEPTACLE, R/A		
MOLEX INCORPORATED		
DOCUMENT NO.		SHEET NO.
SD-87552-012		1 OF 2
THIS DRAWING CONTAINS INFORMATION THAT IS PROPRIETARY TO MOLEX INCORPORATED AND SHOULD NOT BE USED WITHOUT WRITTEN PERMISSION		

9 8 7 6 5 4 3 2 1



RECOMMENDED PCB LAYOUT
COMPONENT SIDE

REVISED EC NO: S2007-1023 DRWN:SKANG CHKD:ATSEE APPR:MLONG 2007/05/23 2007/05/23 2007/05/23	DESCRIPTION REV	QUALITY SYMBOLS $\nabla = 0$ $\triangleleft = 0$	GENERAL TOLERANCES (UNLESS SPECIFIED)		DIMENSION STYLE MM ONLY		SCALE NTS	DESIGN UNITS METRIC	THIRD ANGLE PROJECTION		
			4 PLACES \pm --- \pm --- 3 PLACES \pm --- \pm --- 2 PLACES ± 0.3 \pm --- 1 PLACE \pm --- \pm ---	mm INCH	DRAWN BY ANG	DATE 2005/04/15	TITLE EBBI, 1.27MM PITCH RECEPTACLE, R/A				
			ANGULAR $\pm 3^\circ$	APPROVED BY SKTOH	DATE 2005/05/06	MOLEX INCORPORATED					
		DRAFT WHERE APPLICABLE MUST REMAIN WITHIN DIMENSIONS	MATERIAL NO. SEE TABLE	DOCUMENT NO. SD-87552-012	SHEET NO. 2 OF 2						