



Chipsmall Limited consists of a professional team with an average of over 10 year of expertise in the distribution of electronic components. Based in Hongkong, we have already established firm and mutual-benefit business relationships with customers from,Europe,America and south Asia,supplying obsolete and hard-to-find components to meet their specific needs.

With the principle of "Quality Parts,Customers Priority,Honest Operation,and Considerate Service",our business mainly focus on the distribution of electronic components. Line cards we deal with include Microchip,ALPS,ROHM,Xilinx,Pulse,ON,Everlight and Freescale. Main products comprise IC,Modules,Potentiometer,IC Socket,Relay,Connector.Our parts cover such applications as commercial,industrial, and automotives areas.

We are looking forward to setting up business relationship with you and hope to provide you with the best service and solution. Let us make a better world for our industry!



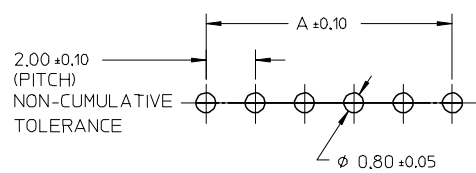
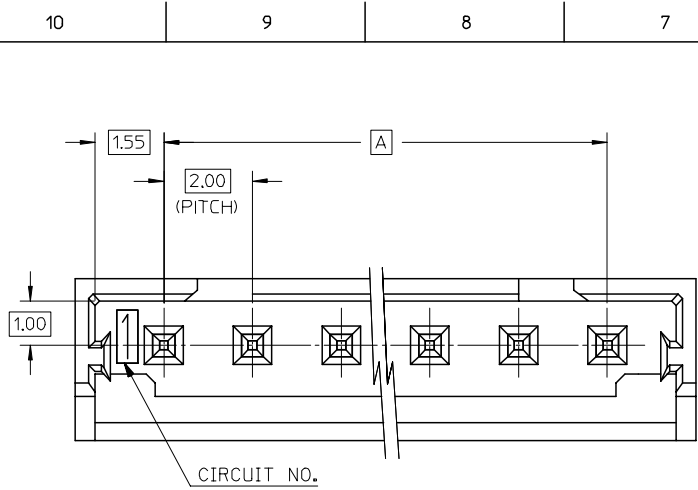
Contact us

Tel: +86-755-8981 8866 Fax: +86-755-8427 6832

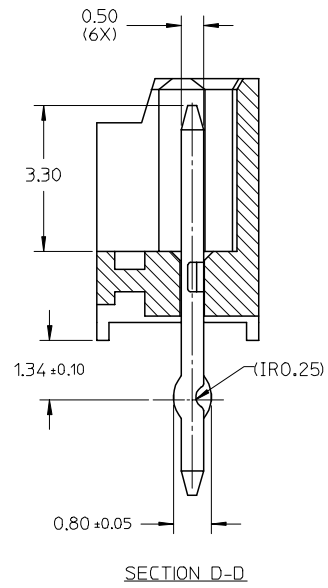
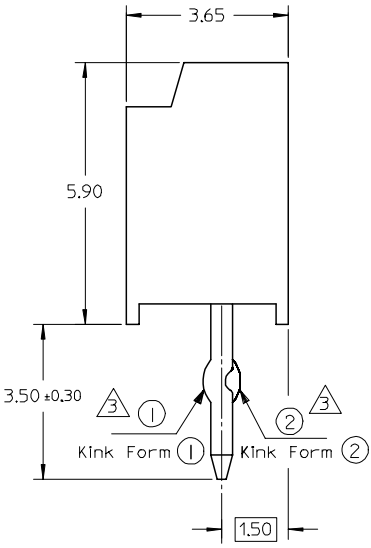
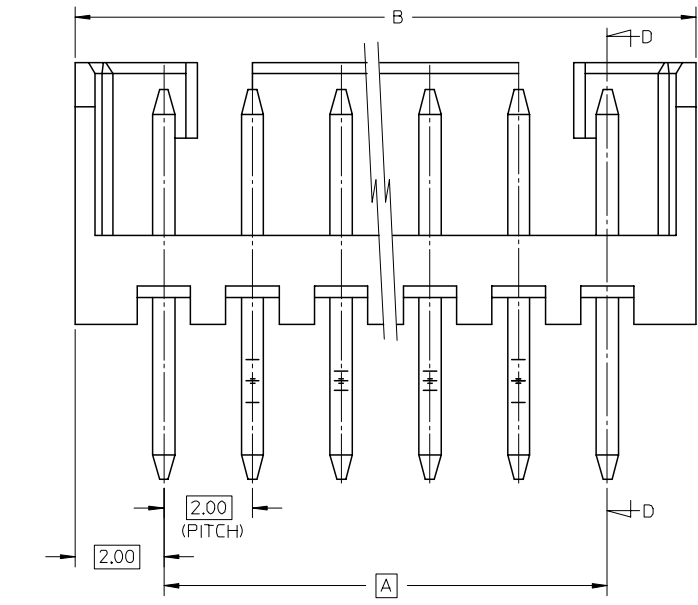
Email & Skype: info@chipsmall.com Web: www.chipsmall.com

Address: A1208, Overseas Decoration Building, #122 Zhenhua RD., Futian, Shenzhen, China





RECOMMENDED PCB LAYOUT THICKNESS : 1.60MM



SECTION D-D

ASSY P/N (LOOSE PACKED)		CKT SIZE	DIMENSIONS	
TIN/ LEAD	TIN		A	B
87553-0210	87553-0211	2	2	6
↑ -0310	↑ -0311	3	4	8
↑ -0410	↑ -0411	4	6	10
↑ -0510	↑ -0511	5	8	12
↑ -0610	↑ -0611	6	10	14
↑ -0710	↑ -0711	7	12	16
↑ -0810	↑ -0811	8	14	18
↑ -0910	↑ -0911	9	16	20
↑ -1010	↑ -1011	10	18	22
↑ -1110	↑ -1111	11	20	24
↑ -1210	↑ -1211	12	22	26
↑ -1310	↑ -1311	13	24	28
↑ -1410	↑ -1411	14	26	30
↑ -1510	↑ -1511	15	28	32

NOTES :

- MATERIAL :
WAFER : NYLON (PA46), 30% GF, UL94V-0
COLOUR : NATURAL (WHITE)
PIN : BRASS
- PLATING :
14µm MIN. TIN/LEAD OR TIN OVER 0.54µm MIN. NICKEL UNDERPLATE OVERALL
- KINKED TO BE APPLIED AS PER TABLE BELOW
2 CKT HAS NO KINKED SOLDER TAILS

NO OF CKT	CKT NO								
		1	2	3	4	5	N-2	N-1	N
6 & above	—	①	②	—	—	—	②	①	—
5	①	②	—	②	①	—	—	—	—
4	①	②	②	①	—	—	—	—	—
3	①	②	①	—	—	—	—	—	—

- MATING PART : 51065-***00
- PART TO BE PACKED IN TUBE, AS SHOWN IN SHT 2.

EC NO: S2004-0872 2004/07/19 DRWN:ATSEE 2004/07/19 CHKD:KCLING 2004/07/19 APPR:SKTOH 2004/07/19	QUALITY SYMBOLS ▽=0 ▽=0	GENERAL TOLERANCES (UNLESS SPECIFIED)		DIMENSION STYLE MM ONLY		SCALE NTS	DESIGN UNITS METRIC	THIRD ANGLE PROJECTION		
						DRAWN BY KSEE		DATE 1998/05/25		SALES DRAWING 2MM W-T-B FRIENDLY LOCK HEADER (STRAIGHT) MOLEX INCORPORATED
						CHECKED BY SKTOH		DATE 1998/06/05		
						APPROVED BY GMS		DATE 1998/06/05		
		ANGULAR ± 3 °		MATERIAL NO. SEE TABLE		DOCUMENT NO. SD-87553-001		SHEET NO. 1 OF 2		
DRAFT WHERE APPLICABLE MUST REMAIN WITHIN DIMENSIONS				SIZE A3		THIS DRAWING CONTAINS INFORMATION THAT IS PROPRIETARY TO MOLEX INCORPORATED AND SHOULD NOT BE USED WITHOUT WRITTEN PERMISSION				

10 9 8 7 6 5 4 3 2 1

F

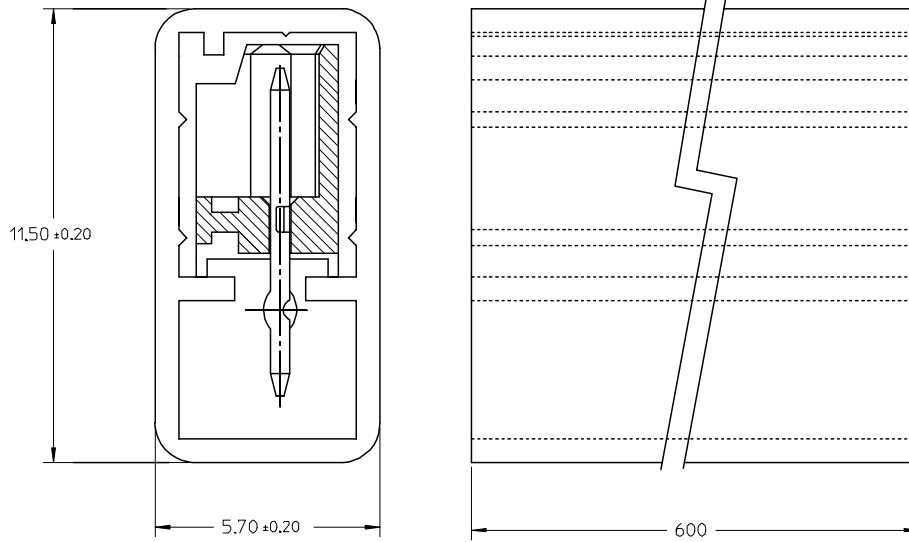
E

D

C

B

A



ORIENTATION OF PART IN TUBE

ASSY P/N (TUBE PACKED)		CKT SIZE	DIMENSIONS	
TIN/ LEAD	TIN		A	B
87553-0290	87553-0291	2	2	6
↑ -0390	↑ -0391	3	4	8
-0490	-0491	4	6	10
-0590	-0591	5	8	12
-0690	-0691	6	10	14
-0790	-0791	7	12	16
-0890	-0891	8	14	18
-0910	-0911	9	16	20
-1090	-1091	10	18	22
-1190	-1191	11	20	24
-1290	-1291	12	22	26
-1390	-1391	13	24	28
↓ -1490	↓ -1491	14	26	30
-1590	-1591	15	28	32

F

E

D

C

B

A

EC NO: S2004-0872 2004/07/19 DRAWN:ATSEE 2004/07/19 CHKD:KCLING 2004/07/19 APPR:SKTOH 2004/07/19	QUALITY SYMBOLS	GENERAL TOLERANCES (UNLESS SPECIFIED)	DIMENSION STYLE	SCALE	DESIGN UNITS	THIRD ANGLE PROJECTION
	▽=0 ▽=0	mm INCH 4 PLACES ± --- ± --- 3 PLACES ± --- ± --- 2 PLACES ± 0.2 ± --- 1 PLACE ± 0.25 ± --- ANGULAR ± 3 °	MM ONLY	NTS	METRIC	
	DESCRIPTION	DRAFT WHERE APPLICABLE MUST REMAIN WITHIN DIMENSIONS	DRAWN BY DATE	TITLE	SALES DRAWING 2MM W-T-B FRIENDLY LOCK HEADER (STRAIGHT)	
	REV	SIZE	APPROVED BY DATE	MATERIAL NO. DOCUMENT NO.		SHEET NO.
A4	A3	SEE TABLE	SD-87553-001		2 OF 2	

9 8 7 6 5 4 3 2 1