



Chipsmall Limited consists of a professional team with an average of over 10 year of expertise in the distribution of electronic components. Based in Hongkong, we have already established firm and mutual-benefit business relationships with customers from,Europe,America and south Asia,supplying obsolete and hard-to-find components to meet their specific needs.

With the principle of “Quality Parts,Customers Priority,Honest Operation,and Considerate Service”,our business mainly focus on the distribution of electronic components. Line cards we deal with include Microchip,ALPS,ROHM,Xilinx,Pulse,ON,Everlight and Freescale. Main products comprise IC,Modules,Potentiometer,IC Socket,Relay,Connector.Our parts cover such applications as commercial,industrial, and automotives areas.

We are looking forward to setting up business relationship with you and hope to provide you with the best service and solution. Let us make a better world for our industry!



Contact us

Tel: +86-755-8981 8866 Fax: +86-755-8427 6832

Email & Skype: info@chipsmall.com Web: www.chipsmall.com

Address: A1208, Overseas Decoration Building, #122 Zhenhua RD., Futian, Shenzhen, China



10 9 8 7 6 5 4 3 2 1

F

E

D

C

B

A

F

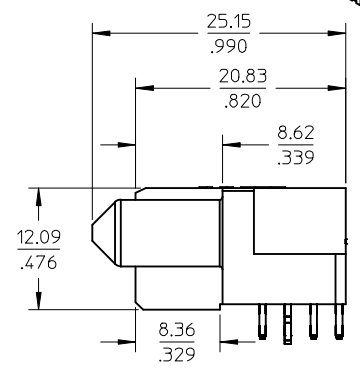
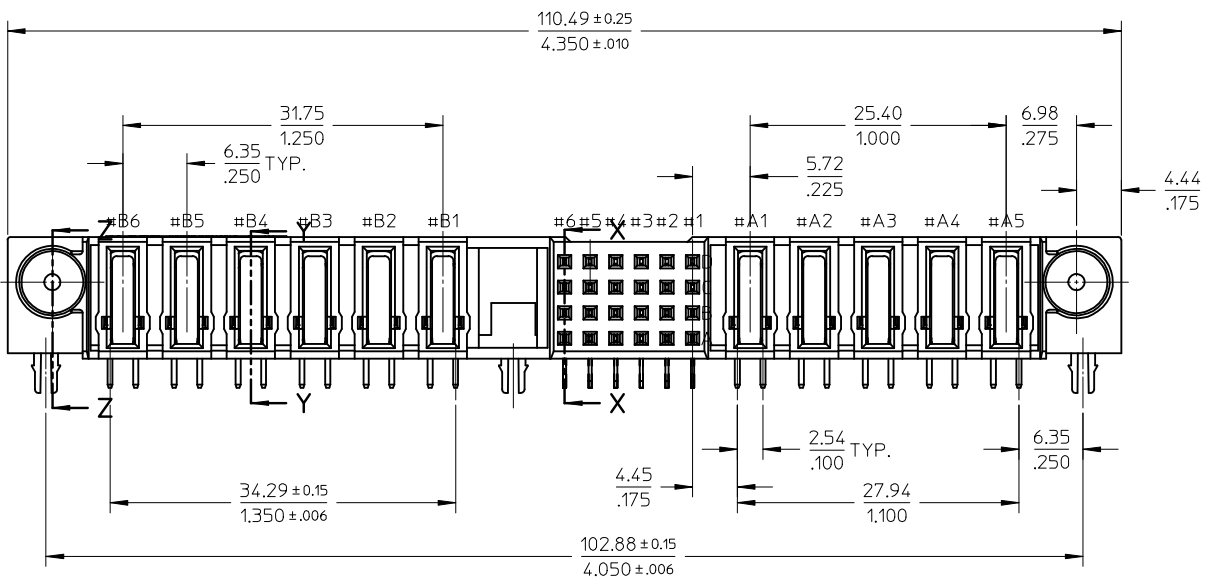
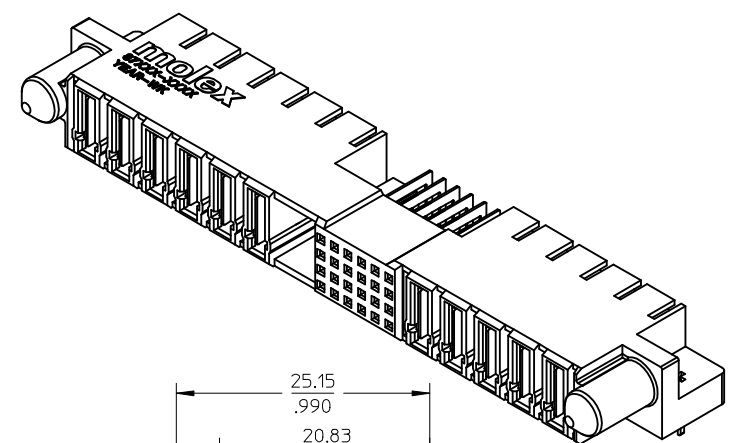
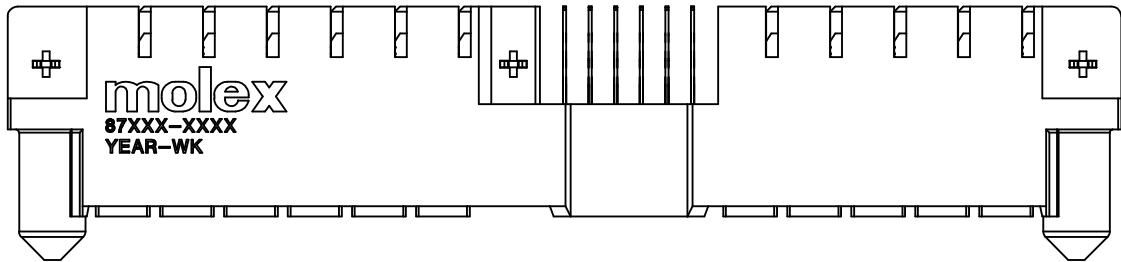
E

D

C

B

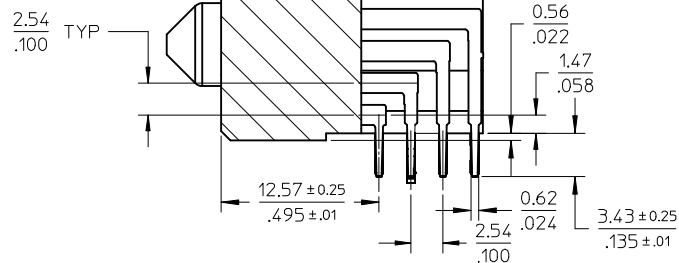
A



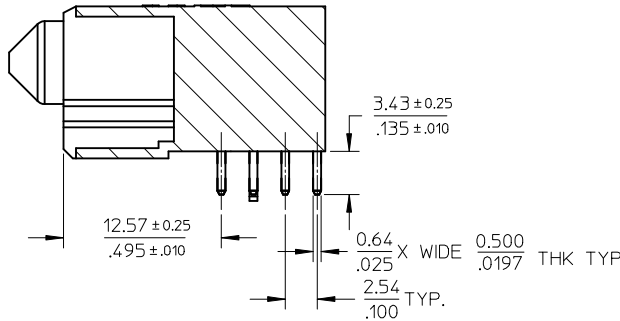
CORRECT PCB HOLE SIZE EC NO: S2009-0475 DRWN:SKANG CHKD:ATSEE APPR:MLONG	2009/01/16 2009/01/20 2009/02/05	DESCRIPTION D1	QUALITY SYMBOLS	GENERAL TOLERANCES (UNLESS SPECIFIED)	DIMENSION STYLE	SCALE	DESIGN UNITS	THIRD ANGLE PROJECTION
			$\nabla=0$ $\text{C}=0$	mm INCH 4 PLACES ± --- ± --- 3 PLACES ± --- ± .005 2 PLACES ± 0.13 ± .010 1 PLACE ± 0.25 ± --- ANGULAR ± 3 °	MM/IN	NTS	METRIC	
			DRAFT WHERE APPLICABLE MUST REMAIN WITHIN DIMENSIONS	DRAWN BY: KMG0H DATE: 2002/08/01 CHECKED BY: PTL IM DATE: 2002/11/21 APPROVED BY: SKTOH DATE: 2002/11/21	TITLE	MPS POWER RECEPTACLE 6POWER-24SIGNAL-5POWER R/A, T/H		
			SEE TABLE	MATERIAL NO. SKTOH	MOLEX INCORPORATED DOCUMENT NO. SD-87616-011	SHEET NO. 1 OF 3		

9 8 7 6 5 4 3 2 1

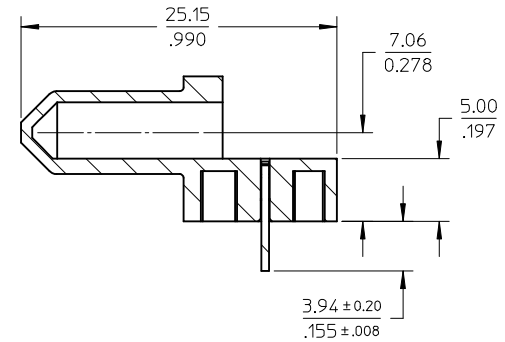
10 9 8 7 6 5 4 3 2 1



SECTION X-X



SECTION Y-Y



SECTION Z-Z

CONNECTOR - NOTES

1. MATERIALS

HOUSING - LCP, GLASS FILLED,
UL 94V-0, COLOR: BLACK

POWER PIN - COPPER ALLOY

SIGNAL PIN - COPPER ALLOY

BOARD LOCK - COPPER ALLOY

2. PLATING

POWER AND SIGNAL PINS - 0.76 MICROMETER MINIMUM GOLD (Au) AT CONTACT AREA AND 2.54 MICROMETER MINIMUM TIN AT SOLDER TAIL AREA OVER 1.27 MICROMETER MINIMUM NICKEL (Ni) UNDERPLATE.

3. PRODUCT SPECIFICATION : PS-87615-005.

4. SEE SHEET 3 FOR RECOMMENDED PCB LAYOUT AND THICKNESS

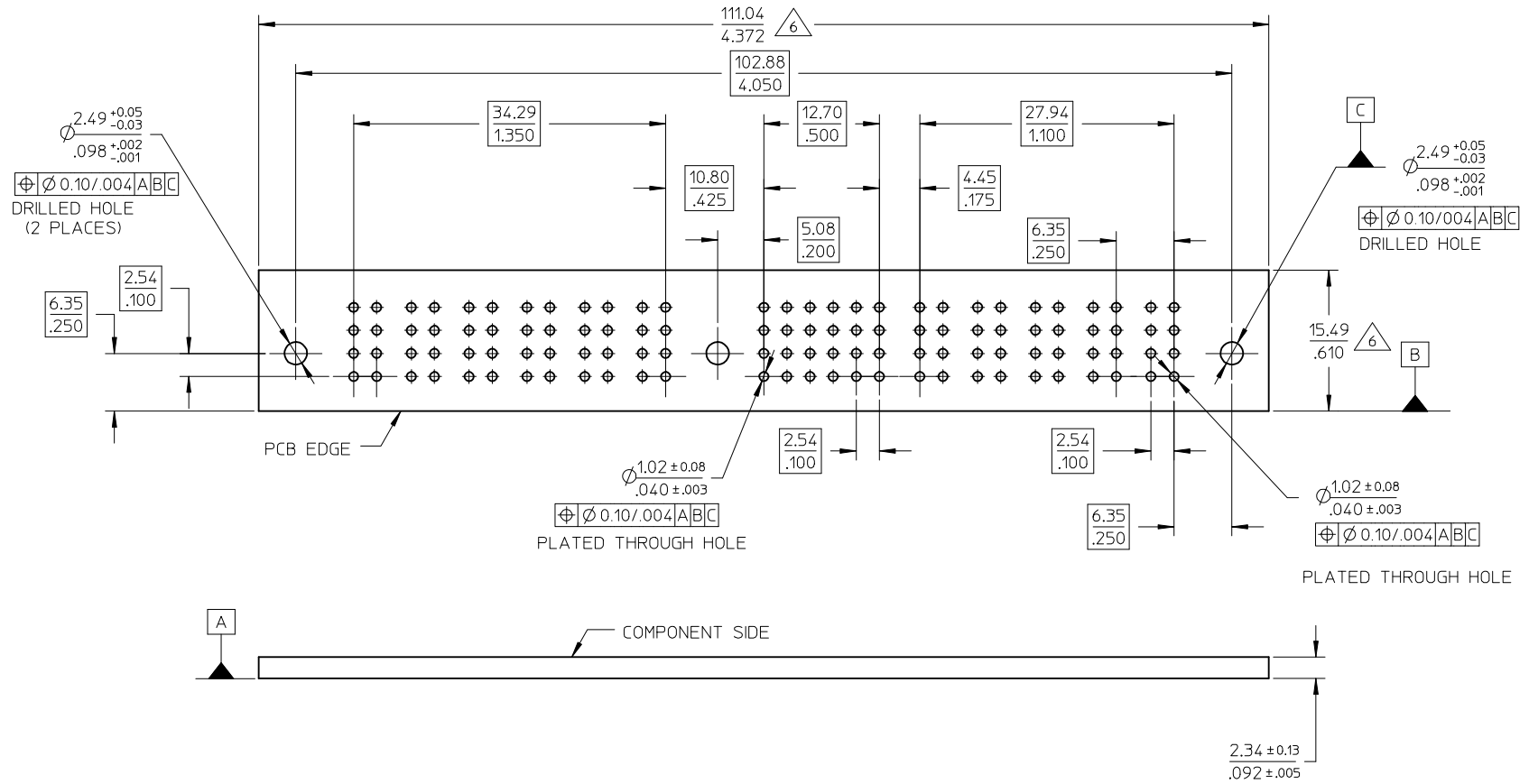
5. MATES WITH MOLEX PART NUMBER : 87615-0001

⚠ COMPONENT STAY AWAY ZONE FROM CONNECTOR

CORRECT PCB HOLE SIZE	EC NO: S2009-0475	2009/01/16	QUALITY SYMBOLS	GENERAL TOLERANCES (UNLESS SPECIFIED)		DIMENSION STYLE		SCALE	DESIGN UNITS	THIRD ANGLE PROJECTION
	DRWN:SKANG	2009/01/20		mm	INCH	MM/IN	NTS	METRIC		
	CHKD:ATSEE	2009/02/05		4 PLACES	± ---	± ---	DRAWN BY	DATE	TITLE	
	APPR:MLONG			3 PLACES	± ---	± .005	KMGOH	2002/08/01	MPS POWER RECEPTACLE 6POWER-24SIGNAL-5POWER R/A, T/H	
			2 PLACES	± 0.13	± .010	CHECKED BY	DATE			
			1 PLACE	± 0.25	± ---	PTLIM	2002/11/21			
			ANGULAR ± 3 °			APPROVED BY	DATE			
			DRAFT WHERE APPLICABLE MUST REMAIN WITHIN DIMENSIONS			SKTOH	2002/11/21			
					SIZE	SEE TABLE		MATERIAL NO.	DOCUMENT NO.	SHEET NO.
					A3	THIS DRAWING CONTAINS INFORMATION THAT IS PROPRIETARY TO MOLEX INCORPORATED AND SHOULD NOT BE USED WITHOUT WRITTEN PERMISSION				2 OF 3

9 8 7 6 5 4 3 2 1

10	9	8	7	6	5	4	3	2	1
PART NUMBER	PART STATUS	PACKAGING							
87616-1001	TOOLED	TRAY							



CORRECT PCB HOLE SIZE EC NO: S2009-0475 DRWN:SKANG 2009/01/16 CHKD:ATSEE 2009/01/20 APPR:MLONG 2009/02/05	QUALITY SYMBOLS ▽=0 ◻=0	GENERAL TOLERANCES (UNLESS SPECIFIED)		DIMENSION STYLE MM/IN		SCALE NTS	DESIGN UNITS METRIC	THIRD ANGLE PROJECTION		
			mm	INCH	DRAWN BY KMG0H	DATE 2002/08/01	TITLE MPS POWER RECEPTACLE 6POWER-24SIGNAL-5POWER R/A, T/H			
		4 PLACES	± ---	± ---	CHECKED BY PTL IM	DATE 2002/11/21	MOLEX INCORPORATED			
		3 PLACES	± ---	± .005	APPROVED BY SKT0H	DATE 2002/11/21	DOCUMENT NO. SD-87616-011	SHEET NO. 3 OF 3		
			2 PLACES	± 0.13	± .010	DRAFT WHERE APPLICABLE MUST REMAIN WITHIN DIMENSIONS				
			1 PLACE	± 0.25	± ---	SIZE A3 THIS DRAWING CONTAINS INFORMATION THAT IS PROPRIETARY TO MOLEX INCORPORATED AND SHOULD NOT BE USED WITHOUT WRITTEN PERMISSION				
			ANGULAR ± 3 °							