



Chipsmall Limited consists of a professional team with an average of over 10 year of expertise in the distribution of electronic components. Based in Hongkong, we have already established firm and mutual-benefit business relationships with customers from,Europe,America and south Asia,supplying obsolete and hard-to-find components to meet their specific needs.

With the principle of “Quality Parts,Customers Priority,Honest Operation,and Considerate Service”,our business mainly focus on the distribution of electronic components. Line cards we deal with include Microchip,ALPS,ROHM,Xilinx,Pulse,ON,Everlight and Freescale. Main products comprise IC,Modules,Potentiometer,IC Socket,Relay,Connector.Our parts cover such applications as commercial,industrial, and automotives areas.

We are looking forward to setting up business relationship with you and hope to provide you with the best service and solution. Let us make a better world for our industry!



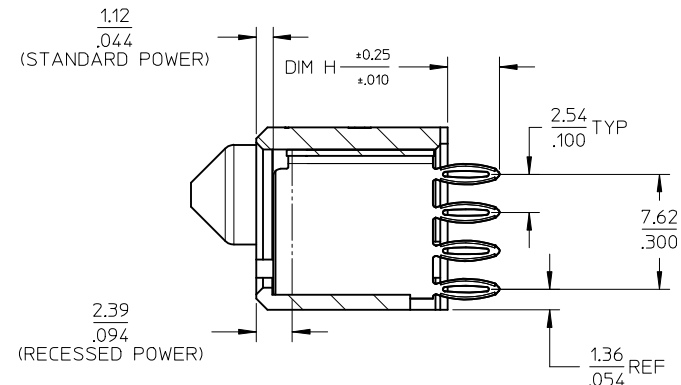
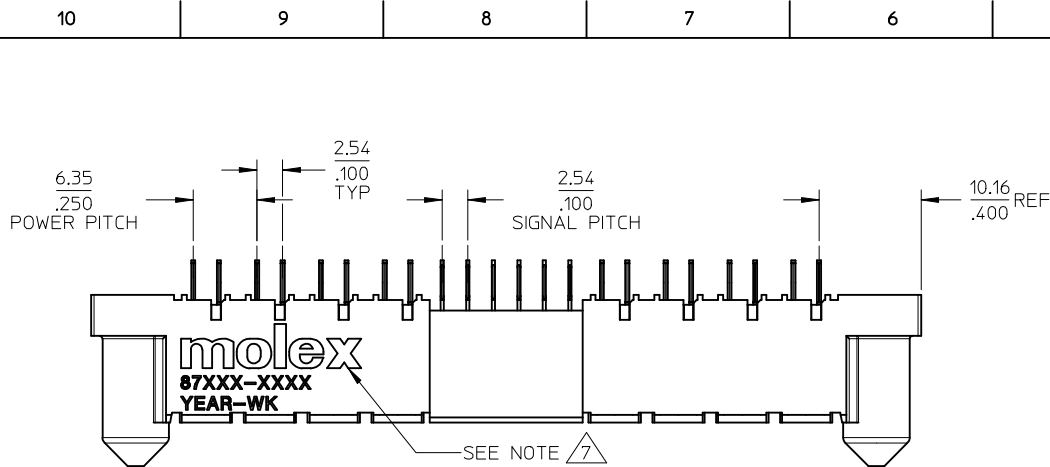
## Contact us

Tel: +86-755-8981 8866 Fax: +86-755-8427 6832

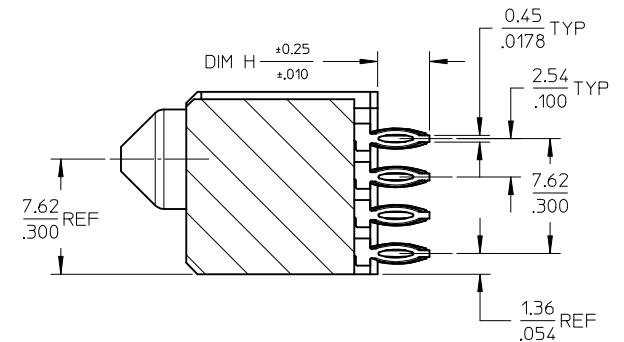
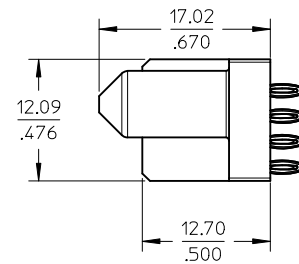
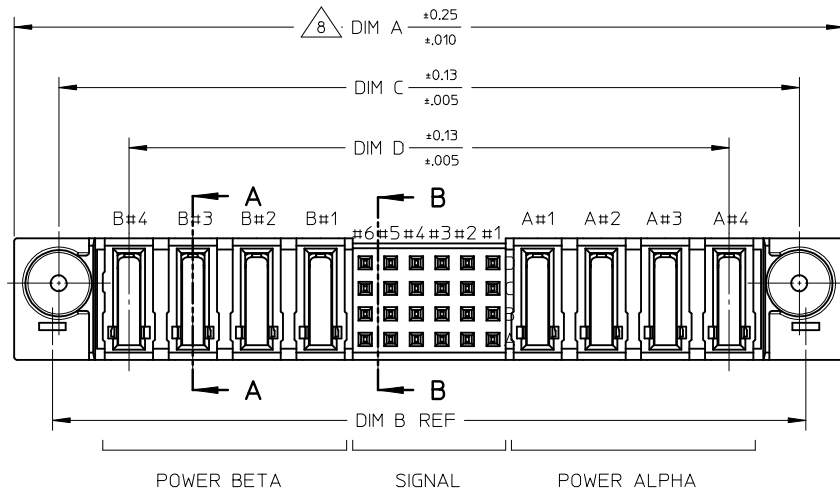
Email & Skype: info@chipsmall.com Web: www.chipsmall.com

Address: A1208, Overseas Decoration Building, #122 Zhenhua RD., Futian, Shenzhen, China





SECTION A-A

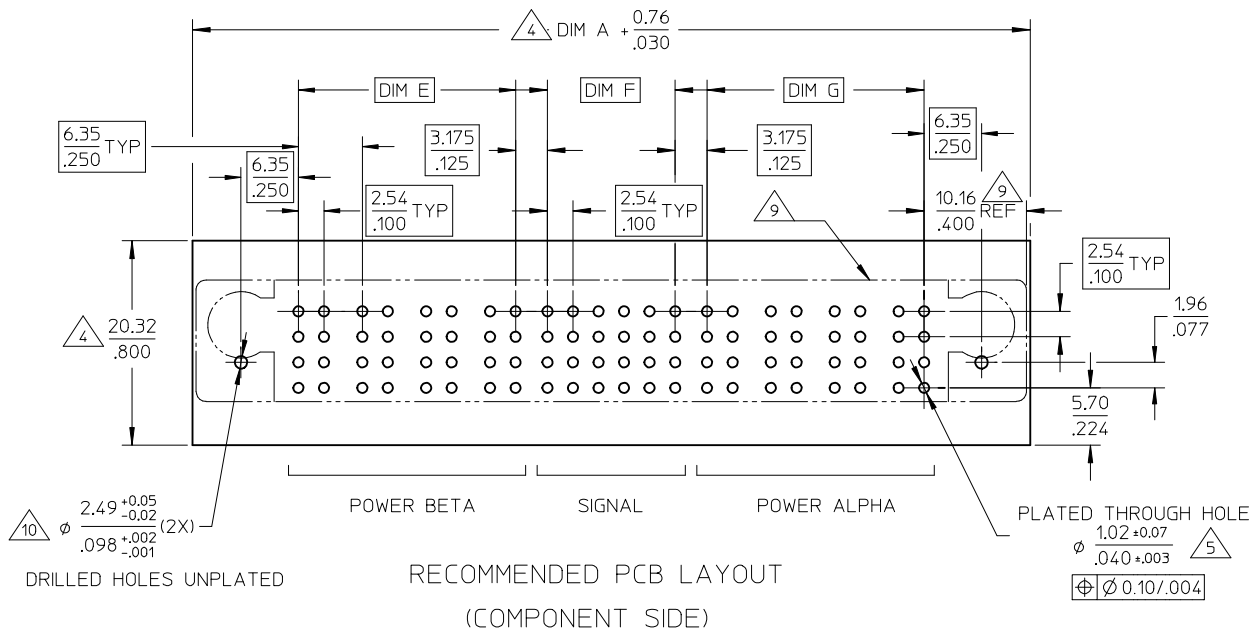


SECTION B-B

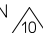
REVISED IEC NO: S2014-0060 DRWNS:KANG 2013/07/15 CH'KD:MLONG 2013/09/06 APPR:MLONG 2013/09/09	QUALITY SYMBOLS	GENERAL TOLERANCES (UNLESS SPECIFIED)		DIMENSION STYLE MM/IN		SCALE NTS	DESIGN UNITS METRIC	THIRD ANGLE PROJECTION	
	$\nabla_F = 0$ $\nabla_E = 0$ $\nabla_D = 0$	4 PLACES ± --- ± ---	3 PLACES ± --- ± .010	2 PLACES ± 0.25 ± ---	1 PLACE ± --- ± ---	0 PLACE ± ±	TITLE POWER CONN. RECEPTACLE P-S-P CONFIGURATION VERT. PRESS-FIT,W/G POST		
		ANGULAR ± 3 °		DRAWN BY DATE KMG0H 2002/11/19		DOCUMENT NO. SD-87633-013			
		DRAFT WHERE APPLICABLE MUST REMAIN WITHIN DIMENSIONS		CHECKED BY DATE PTLIM 2002/11/21		APPROVED BY DATE SKTOH 2002/11/21		SHEET NO. 1 OF 3	
D1	REV	MATERIAL NO. SEE TABLE		SIZE A3		THIS DRAWING CONTAINS INFORMATION THAT IS PROPRIETARY TO MOLEX INCORPORATED AND SHOULD NOT BE USED WITHOUT WRITTEN PERMISSION			

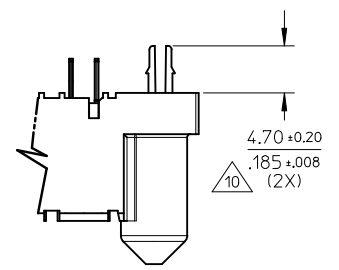
NOTES

- 1 MATERIALS :-  
HOUSING - LCP, GLASS FILLED, UL94V-0,  
COLOR: BLACK.  
SIGNAL TERMINAL - COPPER ALLOY  
POWER TERMINAL - COPPER ALLOY
- 2 FINISH :-  
SIGNAL & POWER CONTACTS  
0.76 MICROMETER MINIMUM GOLD (Au) AT CONTACT AREA  
AND 2.54 MICROMETER MINIMUM TIN AT SOLDER TAIL  
AREA OVER 1.27um MINIMUM NICKEL (Ni) UNDERPLATE.
- 3 SPECIFICATIONS :-  
PRODUCT SPECIFICATION : PS-87633-006  
APPLICATION SPECIFICATION : AS-87633-007
- 4 COMPONENT STAY AWAY ZONE FROM CONNECTOR.
- 5 PCB NOTE FOR DIAMETER 1.02/0.40 PLATED HOLE.  
- DRILLED HOLE SIZE IS 1.151/0.453  
- PLATED WITH 0.007/0.003 MINIMUM TIN OVER  
0.03/0.01 TO 0.08/0.03 COPPER PLATING TO ACHIEVE  
1.02±0.08/0.40±0.03 HOLE.
- 6 ALL TERMINAL TIPS ARE DESIGNED WITH EXPOSED BASE COPPER.  
THIS IS CREATED BY FINAL CUTTING PROCESS AFTER PLATING.
- 7 MANUFACTURER LOGO, PART NUMBER AND YEAR-WEEK CODE.
- 8 4Pa-24S-4Pb CONFIGURATION IS SHOWN FOR ILLUSTRATION ONLY.  
P-S-P CONFIGURATION IS AVAILABLE UP TO 203MM/8INCH.  
PLEASE CONTACT MOLEX SALES PERSONNEL FOR OTHER  
CONFIGURATION AND OPTION NEEDED.
- 9 IMAGINARY LINE AND DIMENSION TO POSITION AND PROVIDE  
CONNECTOR ORIENTATION WITH RESPECT TO PCB LAYOUT.
- 10 OPTIONAL BOARDLOCK FEATURE FOR SYMETRICAL POWER CONFIG  
FULL PROOFING UPON CUSTOMER REQUEST.

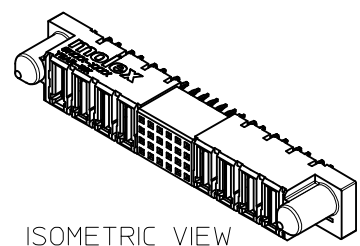


REVISED EC NO: S2014-0060 DRWN:SKANG 2013/07/15 CHYD:MLONG 2013/09/06 APPR:MLONG 2013/09/09 REV DESCRIPTION	QUALITY SYMBOLS	GENERAL TOLERANCES (UNLESS SPECIFIED)		DIMENSION STYLE		SCALE	DESIGN UNITS	THIRD ANGLE PROJECTION	
	$F_A=0$	mm	INCH	MM/IN		NTS	METRIC		
	$F_G=0$	4 PLACES ± ---	± ---	DRAWN BY	DATE	TITLE			
	$F_P=0$	3 PLACES ± ---	± .010	CHECKED BY	DATE	POWER CONN. RECEPTACLE P-S-P CONFIGURATION VERT. PRESS-FIT,W/G POST			
	2 PLACES ± 0.25	± ---	APPROVED BY	DATE	<b>molex</b> SD-87633-013				
	1 PLACE ± ---	± ---	SKTOH	2002/11/21					DOCUMENT NO.
	0 PLACE ±	±	MATERIAL NO.		SEE TABLE		2 OF 3		
	ANGULAR ± 3°		SIZE		THIS DRAWING CONTAINS INFORMATION THAT IS PROPRIETARY TO MOLEX INCORPORATED AND SHOULD NOT BE USED WITHOUT WRITTEN PERMISSION				
	DRAFT WHERE APPLICABLE MUST REMAIN WITHIN DIMENSIONS		A3						

PART NUMBER	P-S-P CONFIGURATION			RECESSED POWER CIRCUIT#	DIMENSIONS								BOARDLOCK OPTION 	PACKAGING
	POWER BETA	SIGNAL	POWER ALPHA		A	B	C	D	E	F	G	H		
87633-1000	5	24	3	NIL	82.54 3.250	74.93 2.950	73.65 2.900	59.69 2.350	27.94 1.100	12.70 .500	15.24 .600	3.43 .135	NIL	TRAY
87633-1002	4	24	4	NIL	82.54 3.250	74.93 2.950	73.65 2.900	59.69 2.350	21.59 .850	12.70 .500	21.59 .850	3.43 .135		
87633-1003	3	24	3	NIL	69.84 2.750	62.23 2.450	60.95 2.400	46.99 1.850	15.24 .600	12.70 .500	15.24 .600	3.43 .135		
87633-1004	2	24	4	NIL	69.84 2.750	62.23 2.450	60.95 2.400	46.99 1.850	8.89 .350	12.70 .500	21.59 .850	3.43 .135		
87633-1005	2	48	2	A2, B2	72.38 2.850	64.77 2.550	63.49 2.500	49.53 1.950	8.89 .350	27.94 1.100	8.89 .350	3.43 .135	YES	
87633-1011	7	32	6	NIL	119.38 4.700	111.76 4.400	110.48 4.350	96.52 3.800	40.64 1.600	17.78 .700	34.29 1.350	3.43 .135	NIL	
87633-1013	1	12	1	NIL	36.83 1.450	29.21 1.150	27.94 1.100	13.97 .550	2.54 .100	5.08 .200	2.54 .100	3.43 .135		
87633-1021	6	32	7	A1,A2,A3,A4 B1,B2,B5,B6	119.38 4.700	111.76 4.400	110.48 4.350	96.52 3.800	34.29 1.350	17.78 .700	40.64 1.600	3.43 .135	YES	
87633-1022	4	4	4	NIL	69.85 2.750	62.23 2.450	60.96 2.400	46.99 1.850	21.59 .850	00.00 0.000	21.59 .850	3.43 .135	NIL	
87633-1014	2	16	4	A3,A4,B2	64.77 2.550	57.15 2.250	55.88 2.200	41.91 1.650	8.89 .350	7.62 .300	21.59 .850	3.43 .135	NIL	
87633-1024	2	24	2	A2, B2	57.15 2.250	49.53 1.950	48.26 1.900	34.29 1.350	8.89 .350	12.70 .5000	8.89 .350	3.43 .135	YES	
87633-1028													NIL	
87633-1026	4	48	4	NIL	97.79 3.850	90.17 3.550	88.90 3.500	74.93 2.950	21.59 0.850	27.94 1.100	21.59 0.850	3.43 .135	YES	
87633-1029	2	16	4	NIL	64.77 2.550	57.15 2.250	55.88 2.200	41.91 1.650	8.89 .350	7.62 .300	21.59 .850	3.43 .135	NIL	



BOARDLOCK OPTION



ISOMETRIC VIEW

<b>REVISED</b> EC NO: S2014-0060 DRWN:SKANG 2013/07/15 CHKD:MLONG 2013/09/06 APPR:MLONG 2013/09/09	QUALITY SYMBOLS	GENERAL TOLERANCES (UNLESS SPECIFIED)	DIMENSION STYLE	SCALE	DESIGN UNITS	THIRD ANGLE PROJECTION
	$F_A=0$ $F_E=0$ $F_P=0$	mm INCH 4 PLACES ± --- ± --- 3 PLACES ± --- ± .010 2 PLACES ± 0.25 ± --- 1 PLACE ± --- ± --- 0 PLACE ± ±	MM/IN	NTS	METRIC	
	DRAFT WHERE APPLICABLE MUST REMAIN WITHIN DIMENSIONS	DRAWN BY DATE CHECKED BY DATE APPROVED BY DATE MATERIAL NO.	DATE DATE DATE DATE	TITLE	POWER CONN. RECEPTACLE P-S-P CONFIGURATION VERT. PRESS-FIT,W/G POST	
	SEE TABLE	SKTOH 2002/11/21	SKTOH 2002/11/21	DOCUMENT NO.	<b>molex</b>	SHEET NO.