



Chipsmall Limited consists of a professional team with an average of over 10 year of expertise in the distribution of electronic components. Based in Hongkong, we have already established firm and mutual-benefit business relationships with customers from,Europe,America and south Asia,supplying obsolete and hard-to-find components to meet their specific needs.

With the principle of “Quality Parts,Customers Priority,Honest Operation,and Considerate Service”,our business mainly focus on the distribution of electronic components. Line cards we deal with include Microchip,ALPS,ROHM,Xilinx,Pulse,ON,Everlight and Freescale. Main products comprise IC,Modules,Potentiometer,IC Socket,Relay,Connector.Our parts cover such applications as commercial,industrial, and automotives areas.

We are looking forward to setting up business relationship with you and hope to provide you with the best service and solution. Let us make a better world for our industry!



Contact us

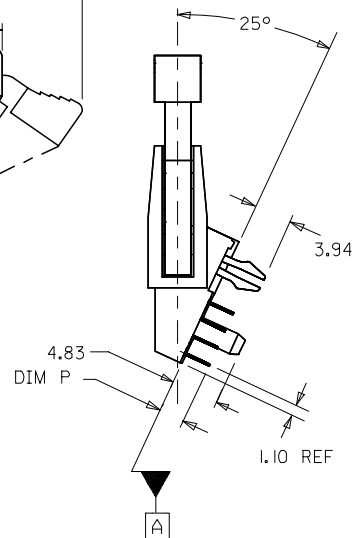
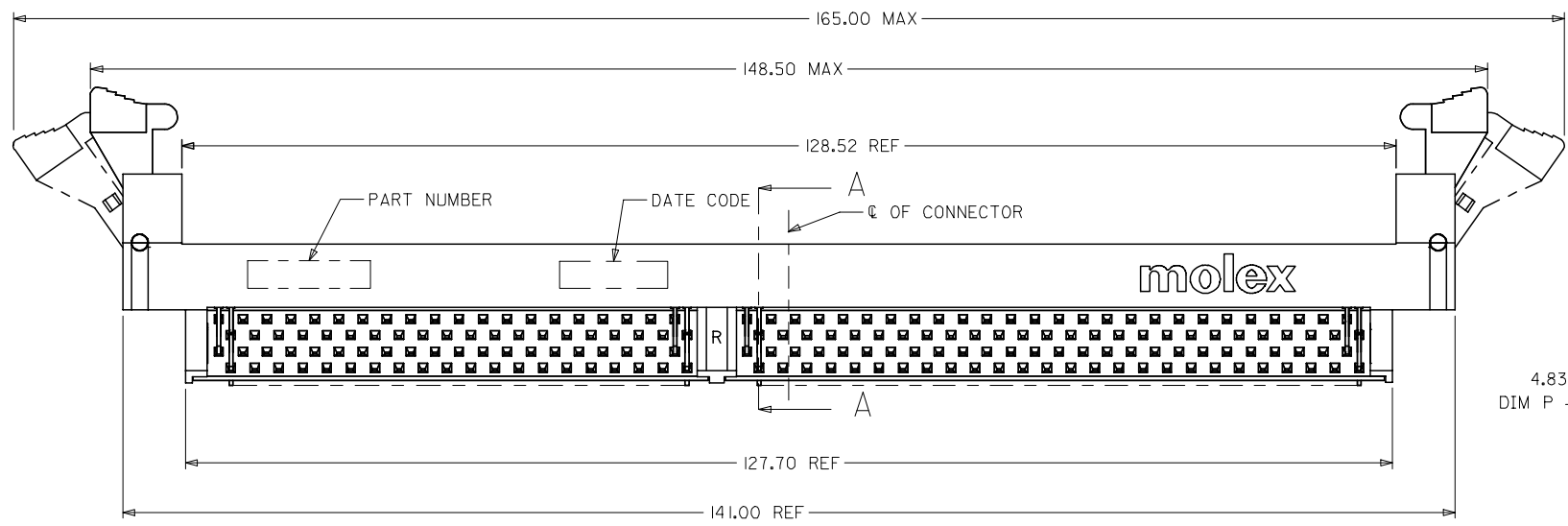
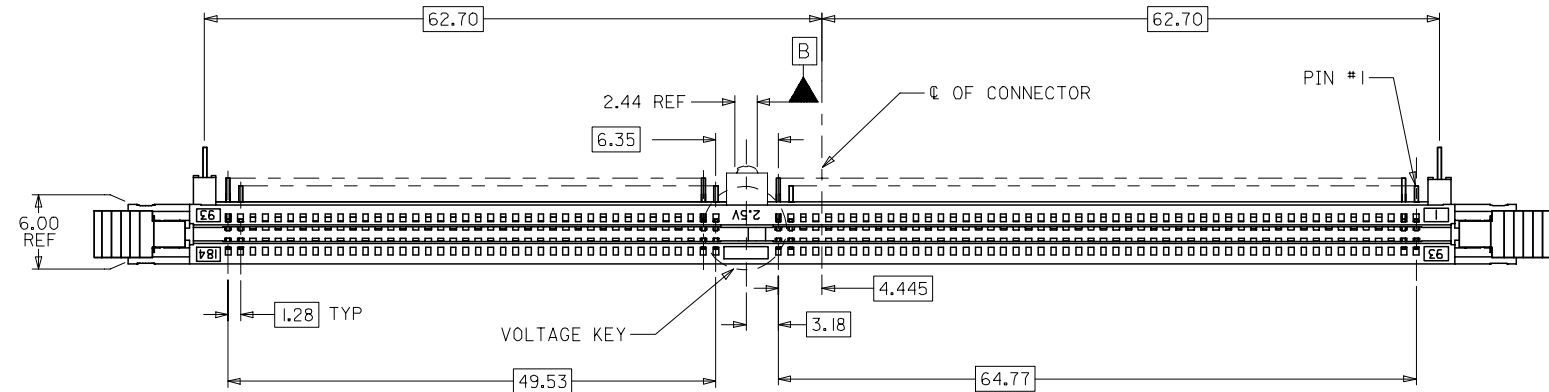
Tel: +86-755-8981 8866 Fax: +86-755-8427 6832

Email & Skype: info@chipsmall.com Web: www.chipsmall.com

Address: A1208, Overseas Decoration Building, #122 Zhenhua RD., Futian, Shenzhen, China



10 9 8 7 6 5 4 3 2 1



- NOTES:
- MATERIALS: HOUSING - LCP, GLASS FILLED, UL 94V-0, COLOR: BLACK
LATCHES - HIGH TEMP NYLON, GLASS FILLED, UL 94V-0
TERMINAL AND FORKLOCK - COPPER ALLOY
 - FINISHES: CONTACT AREA: SEE TABLE ON SHEET 5
SOLDERTAILS: 2.54um/100u" MIN. TIN
OVER 1.27um/50u" MIN NICKEL
 - PRODUCT SPECIFICATIONS: PS-87639-002 FOR PERFORMANCE SPECIFICATIONS.
 - DATE CODE SHALL BE MARKED LEGIBLY AS SHOWN: XX XX
YEAR WEEK
 - PART NUMBER SHALL BE MARKED LEGIBLY AS SHOWN: 87639-0XXX
REFER TO TABLE

OBS TIN/LEAD P/N EC NO: S2006-0746 DRWN:HLG CHKD:HO APPR:GJLEE	2006/02/27	QUALITY SYMBOLS ▽=0 ◻=0	DESCRIPTION
	2006/02/28		
REV			

GENERAL TOLERANCES (UNLESS SPECIFIED)	
mm	INCH
4 PLACES ± ---	± ---
3 PLACES ± ---	± ---
2 PLACES ± 0.25	± ---
1 PLACE ± ---	± ---
ANGULAR ± 5 °	
DRAFT WHERE APPLICABLE MUST REMAIN WITHIN DIMENSIONS	

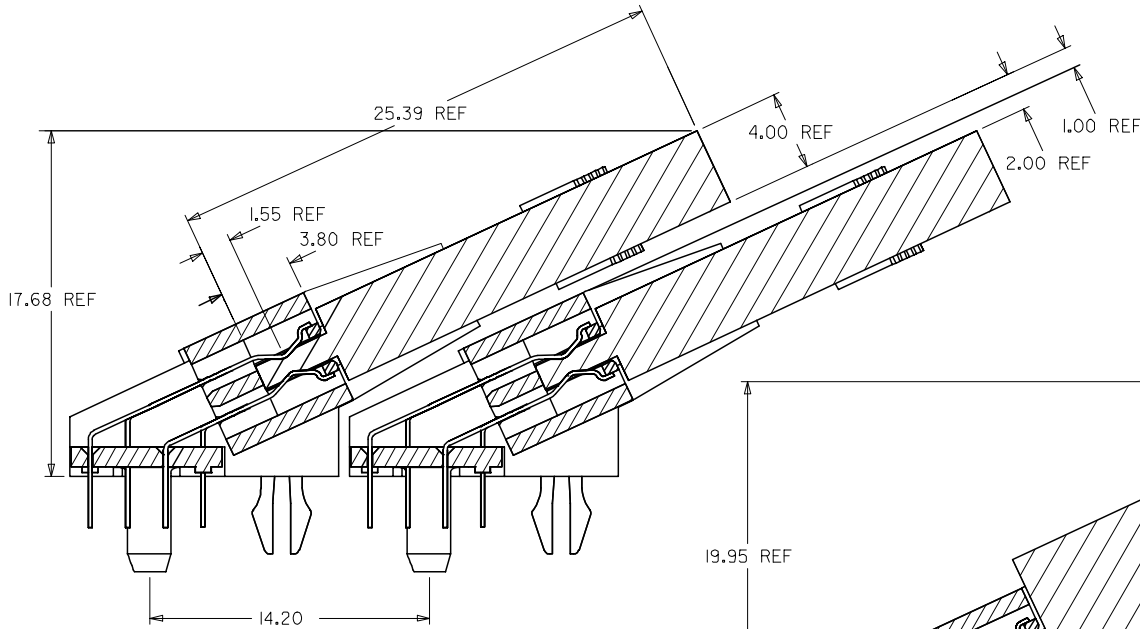
DIMENSION STYLE	
MM ONLY	
DRAWN BY	DATE
LPL IM	2000/05/31
CHECKED BY	DATE
DSOH	2000/07/07
APPROVED BY	DATE
SKTOH	2000/07/07
MATERIAL NO.	SEE TABLE
SIZE	A3

SCALE	DESIGN UNITS	THIRD ANGLE PROJECTION
NTS	METRIC	
TITLE		
DDR DIMM, 1.27MM PITCH		
184 CKTS, 25 DEG REVERSE		
1.91MM ROW TO ROW		
MOLEX INCORPORATED		
DOCUMENT NO.	SHEET NO.	
SD-87639-001	1 OF 5	
THIS DRAWING CONTAINS INFORMATION THAT IS PROPRIETARY TO MOLEX INCORPORATED AND SHOULD NOT BE USED WITHOUT WRITTEN PERMISSION		

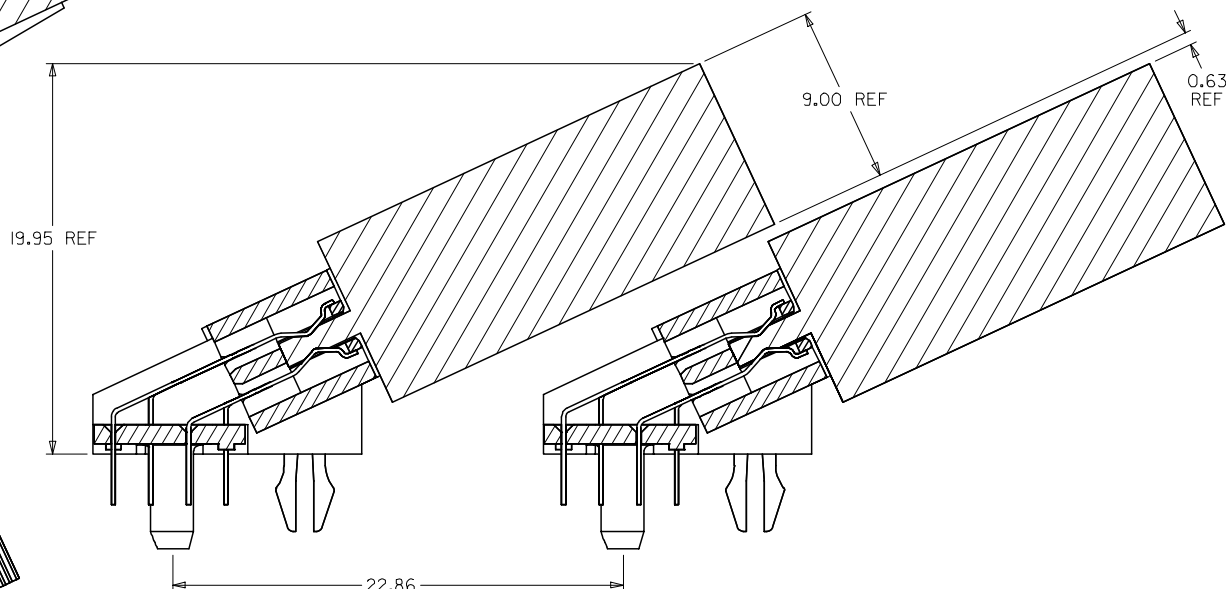
9 8 7 6 5 4 3 2 1

10 9 8 7 6 5 4 3 2 1

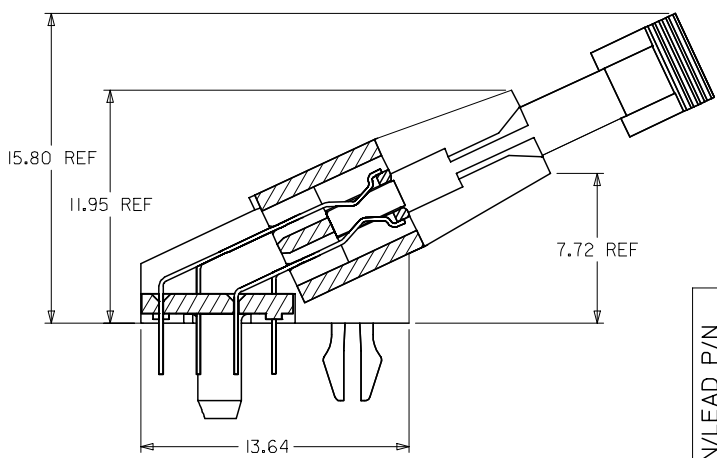
F
E
D
C
B
A



MINIMUM RECOMMENDED ROW TO ROW SPACING
WHEN USING A 4.00 mm THICK
MODULE (TYPICAL TSOP PACKAGING)



MINIMUM RECOMMENDED ROW TO ROW SPACING
WHEN USING A 9.00 mm THICK
MODULE (TYPICAL SOJ PACKAGING)



SECTION A-A

OBS TIN/LEAD P/N
EC NO: S2006-0746
DRWN:MLG
CHKD:HO
APPR:GJLEE
REV C

2006/02/27
2006/02/28
2006/02/28

QUALITY SYMBOLS	GENERAL TOLERANCES (UNLESS SPECIFIED)	
▽=0	mm	INCH
▽C=0	4 PLACES ± ---	± ---
	3 PLACES ± ---	± ---
	2 PLACES ± 0.25	± ---
	1 PLACE ± ---	± ---
	ANGULAR ± 5 °	
	DRAFT WHERE APPLICABLE MUST REMAIN WITHIN DIMENSIONS	

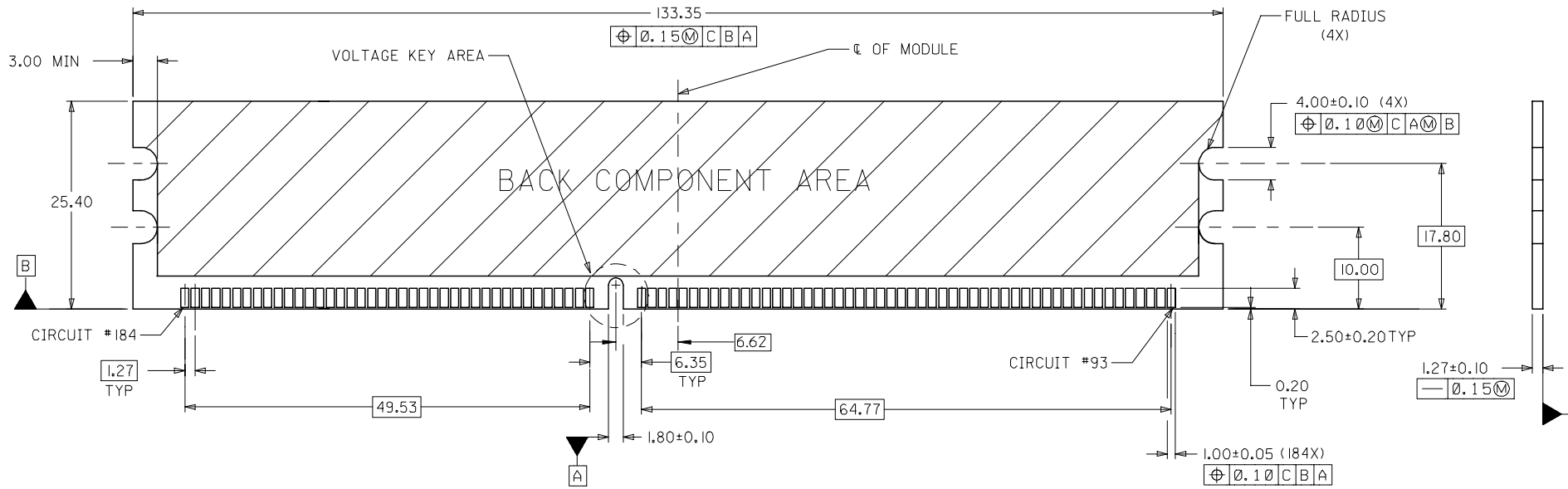
DIMENSION STYLE MM ONLY	
DRAWN BY LPL IM	DATE 2000/05/31
CHECKED BY DSOH	DATE 2000/07/07
APPROVED BY SKTOH	DATE 2000/07/07
MATERIAL NO. SEE TABLE	

SCALE NTS	DESIGN UNITS METRIC	THIRD ANGLE PROJECTION
TITLE DDR DIMM, 1.27MM PITCH 184 CKTS, 25 DEG REVERSE 1.91MM ROW TO ROW		
MOLEX INCORPORATED		
DOCUMENT NO. SD-87639-001	SHEET NO. 2 OF 5	

9 8 7 6 5 4 3 2 1

10 9 8 7 6 5 4 3 2 1

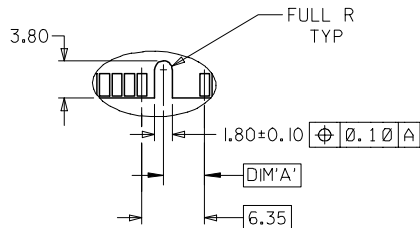
F
E
D
C
B
A



RECOMMENDED MODULE LAYOUT
 (PER JEDEC STANDARD MO-206, 184 CKT.)
 UNLESS OTHERWISE SPECIFIED, GENERAL TOLERANCE FOR MODULE = ±0.13

VOLTAGE KEY AREA

VOLTAGE KEY	DIM 'A'
2.5V	4.175



OBS	TIN/LEAD P/N
EC NO:	S2006-0746
DRWN:	MLONG
CHKD:	IHO
APPR:	GGLEE
REV	DESCRIPTION

QUALITY SYMBOLS	▽=0
	∇=0

GENERAL TOLERANCES (UNLESS SPECIFIED)	mm	INCH
4 PLACES	± ---	± ---
3 PLACES	± ---	± ---
2 PLACES	± 0.25	± ---
1 PLACE	± ---	± ---
ANGULAR ± 5 °		
DRAFT WHERE APPLICABLE MUST REMAIN WITHIN DIMENSIONS		

DIMENSION STYLE		SCALE	DESIGN UNITS	THIRD ANGLE PROJECTION
MM ONLY		NTS	METRIC	
DRAWN BY	DATE	TITLE		
LPL IM	2000/05/31	DDR DIMM, 1.27MM PITCH		
CHECKED BY	DATE	184 CKTS, 25 DEG REVERSE		
DSOH	2000/07/07	1.91MM ROW TO ROW		
APPROVED BY	DATE	MOLEX INCORPORATED		
SKTOH	2000/07/07	MATERIAL NO.		
SEE TABLE		DOCUMENT NO.		SHEET NO.
SIZE A3		SD-87639-001		3 OF 5

DRAWN BY		DATE	TITLE	
LPL IM		2000/05/31	DDR DIMM, 1.27MM PITCH	
CHECKED BY		DATE	184 CKTS, 25 DEG REVERSE	
DSOH		2000/07/07	1.91MM ROW TO ROW	
APPROVED BY		DATE	MOLEX INCORPORATED	
SKTOH		2000/07/07	MATERIAL NO.	
SEE TABLE		DOCUMENT NO.		SHEET NO.
SIZE A3		SD-87639-001		3 OF 5

9 8 7 6 5 4 3 2 1

10 9 8 7 6 5 4 3 2 1

F

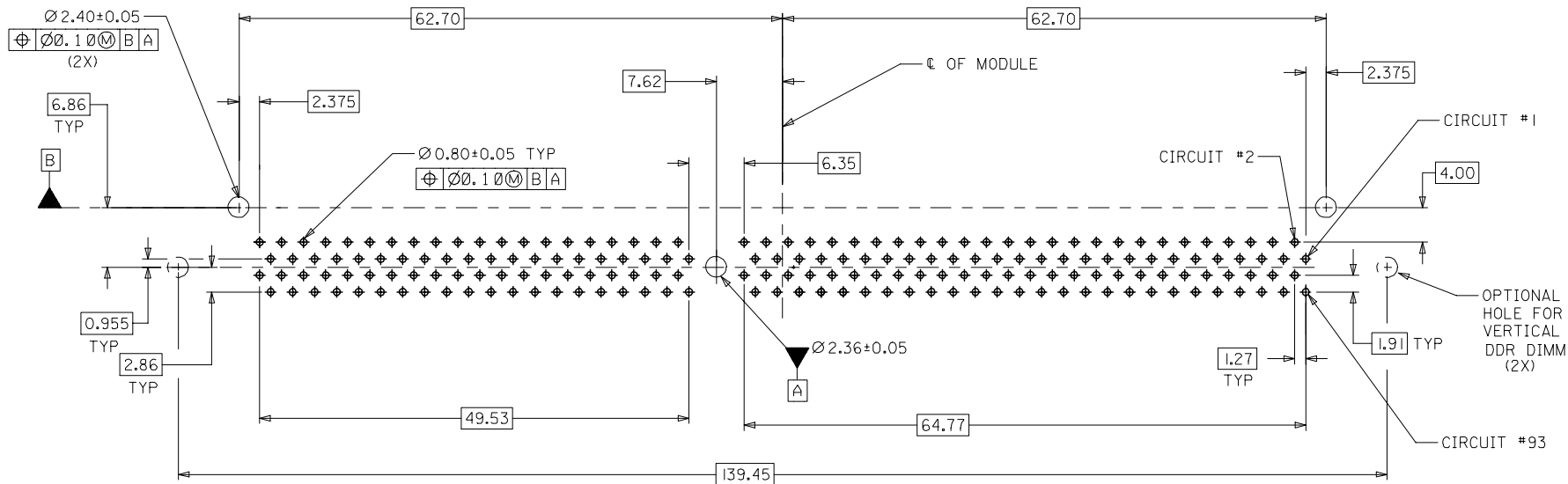
E

D

C

B

A



RECOMMENDED P.C. BOARD
HOLE PATTERN (CONNECTOR SIDE)

OBS TIN/LEAD P/N EC NO: S2006-0746 DRWN:MLONG CHKD:HO APPR:GJLEE	2006/02/27 2006/02/28 2006/02/28	QUALITY SYMBOLS ▽=0 ◻=0	GENERAL TOLERANCES (UNLESS SPECIFIED)		DIMENSION STYLE MM ONLY		SCALE NTS	DESIGN UNITS METRIC	THIRD ANGLE PROJECTION			
				mm	INCH	DRAWN BY LPLIM	DATE 2000/05/31	TITLE DDR DIMM, 1.27MM PITCH 184 CKTS, 25 DEG REVERSE 1.91MM ROW TO ROW				
			4 PLACES	± ---	± ---	CHECKED BY DSOH	DATE 2000/07/07					
			3 PLACES	± ---	± ---	APPROVED BY SKTOH	DATE 2000/07/07	MOLEX INCORPORATED DOCUMENT NO. SD-87639-001				
2 PLACES	± 0.25	± ---	MATERIAL NO.		SHEET NO. 4 OF 5							
1 PLACE	± ---	± ---	DRAFT WHERE APPLICABLE MUST REMAIN WITHIN DIMENSIONS							SEE TABLE		
		ANGULAR ± 5 °		SIZE A3		THIS DRAWING CONTAINS INFORMATION THAT IS PROPRIETARY TO MOLEX INCORPORATED AND SHOULD NOT BE USED WITHOUT WRITTEN PERMISSION						

9 8 7 6 5 4 3 2 1

10 9 8 7 6 5 4 3 2 1

MATERIAL NO.	VOLTAGE KEY	TAIL LENGTH P±0.25	RECOMMENDED PCB THICKNESS	FINISHES: CONTACT AREA
87639-1001	RIGHT (2.5V)	2.79	1.57	SELECTIVE GOLD 0.38µM/15µ" MIN. GOLD OVER 1.27µM/50µ" MIN. NICKEL
87639-1010		3.18		
87639-1011		3.56		
87639-1100		2.79		SELECTIVE GOLD 0.76µM/30µ" MIN. GOLD OVER 1.27µM/50µ" MIN. NICKEL
87639-1110		3.18		

F

F

E

E

D

D

C

C

B

B

A

A

OBS TIN/LEAD P/N EC NO: S2006-0746 DRWN:MLONG CHKD:HO APPR:GJLEE	2006/02/27 2006/02/28 2006/02/28	QUALITY SYMBOLS ▽=0 ◻=0	GENERAL TOLERANCES (UNLESS SPECIFIED)		DIMENSION STYLE MM ONLY		SCALE NTS	DESIGN UNITS METRIC	THIRD ANGLE PROJECTION			
			4 PLACES ± --- ± ---	DRAWN BY LPL IM	DATE 2000/05/31	TITLE DDR DIMM, 1.27MM PITCH 184 CKTS, 25 DEG REVERSE 1.91MM ROW TO ROW						
			3 PLACES ± --- ± ---	CHECKED BY DS0H	DATE 2000/07/07							
			2 PLACES ± 0.25 ± ---	APPROVED BY SKTOH		DATE 2000/07/07	MOLEX INCORPORATED					
			1 PLACE ± --- ± ---	MATERIAL NO. SEE TABLE		DOCUMENT NO. SD-87639-001						SHEET NO. 5 OF 5
		ANGULAR ± 5 °		DRAFT WHERE APPLICABLE MUST REMAIN WITHIN DIMENSIONS		THIS DRAWING CONTAINS INFORMATION THAT IS PROPRIETARY TO MOLEX INCORPORATED AND SHOULD NOT BE USED WITHOUT WRITTEN PERMISSION						

9 8 7 6 5 4 3 2 1