



Chipsmall Limited consists of a professional team with an average of over 10 year of expertise in the distribution of electronic components. Based in Hongkong, we have already established firm and mutual-benefit business relationships with customers from,Europe,America and south Asia,supplying obsolete and hard-to-find components to meet their specific needs.

With the principle of “Quality Parts,Customers Priority,Honest Operation,and Considerate Service”,our business mainly focus on the distribution of electronic components. Line cards we deal with include Microchip,ALPS,ROHM,Xilinx,Pulse,ON,Everlight and Freescale. Main products comprise IC,Modules,Potentiometer,IC Socket,Relay,Connector.Our parts cover such applications as commercial,industrial, and automotives areas.

We are looking forward to setting up business relationship with you and hope to provide you with the best service and solution. Let us make a better world for our industry!



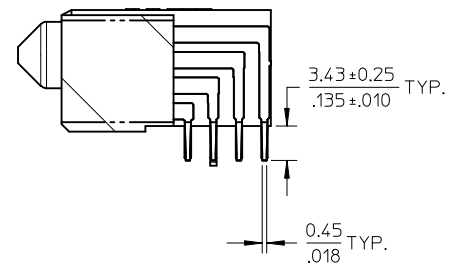
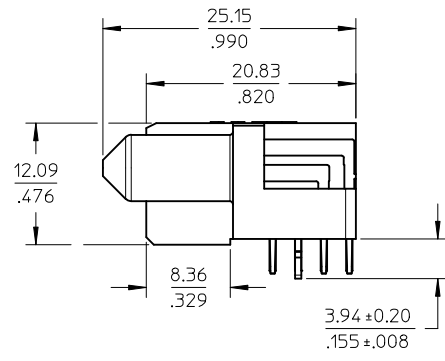
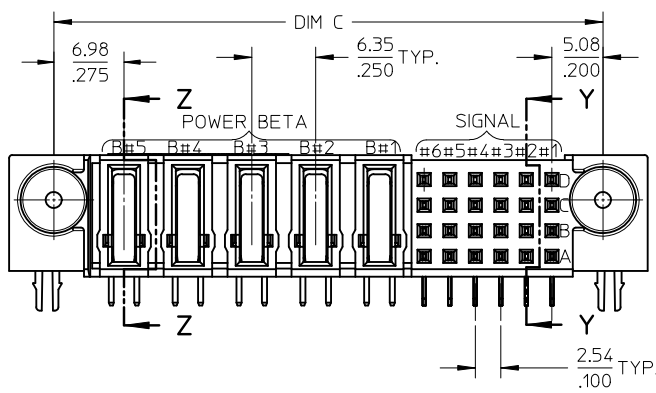
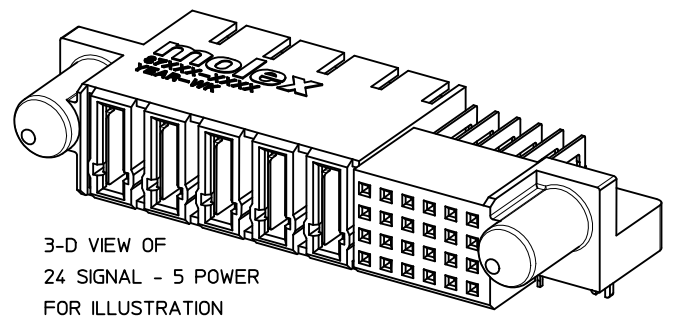
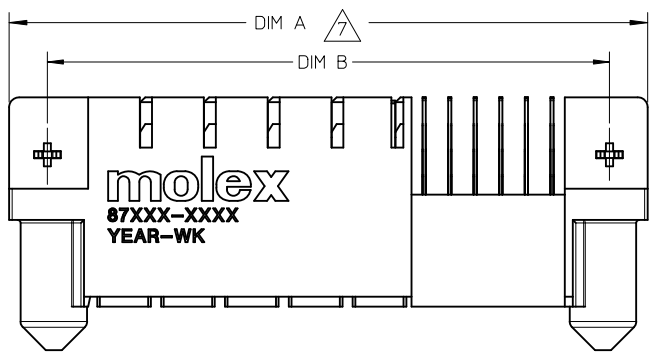
Contact us

Tel: +86-755-8981 8866 Fax: +86-755-8427 6832

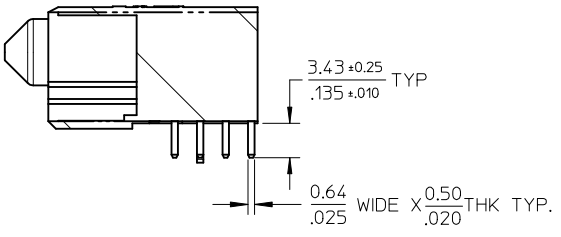
Email & Skype: info@chipsmall.com Web: www.chipsmall.com

Address: A1208, Overseas Decoration Building, #122 Zhenhua RD., Futian, Shenzhen, China





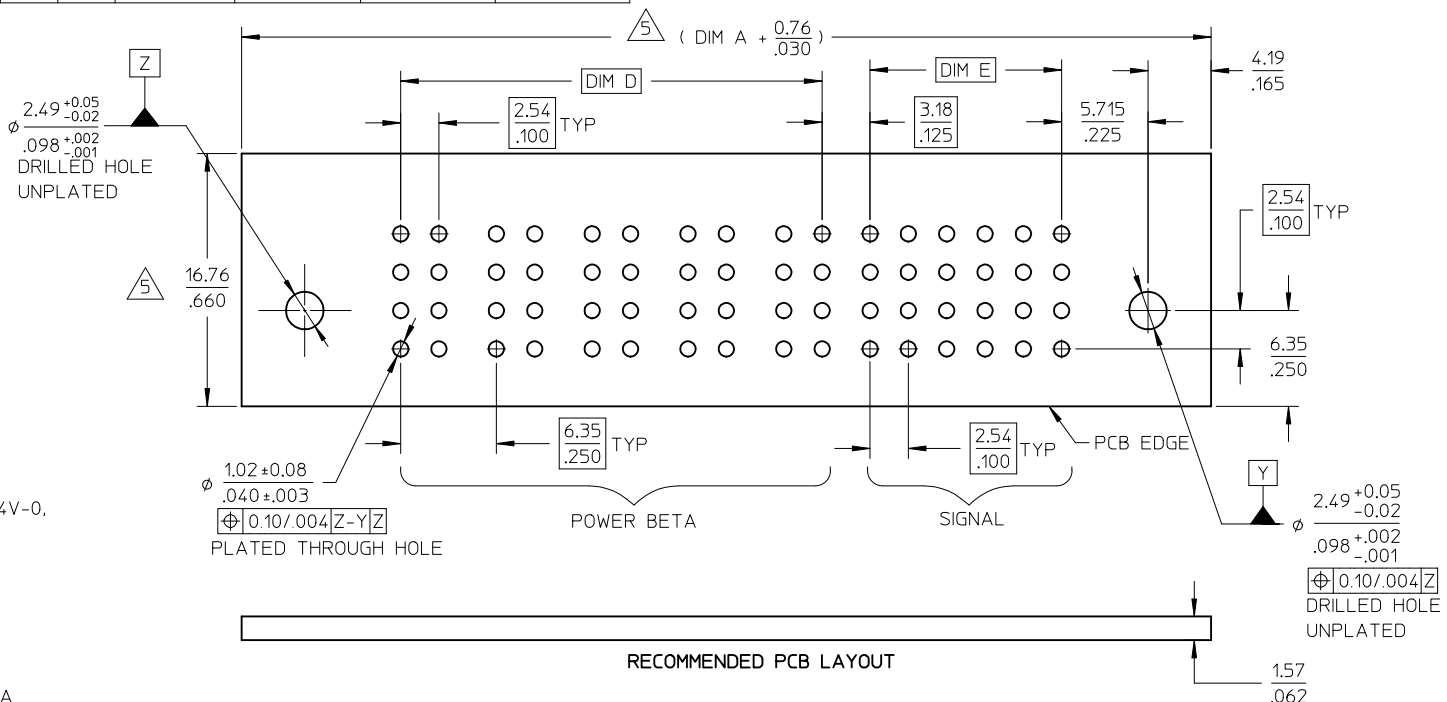
SECTION Y-Y



SECTION Z-Z

ADD P/N: 87668-2008 EC NO: S2012-0166 DRWN:SKANG 2011/08/29 CHKD:ATSEE 2012/12/19 APPR:MLONG 2011/12/22	QUALITY SYMBOLS ▽=0 ▽=0	GENERAL TOLERANCES (UNLESS SPECIFIED)		DIMENSION STYLE MM/IN		SCALE NTS	DESIGN UNITS METRIC	THIRD ANGLE PROJECTION			
		4 PLACES ± --- ± ---	mm INCH	DRAWN BY KMG0H	DATE 2003/06/18	TITLE POWER CONNECTOR RECEPT. S-P(B) CONFIGURATION R/A, BOARDLOCK					
		3 PLACES ± --- ± .010		CHECKED BY PTL IM	DATE 2003/06/20	MOLEX INCORPORATED					
		2 PLACES ± 0.25 ± ---		APPROVED BY SKTOH	DATE 2003/06/20	MATERIAL NO. SEE TABLE	DOCUMENT NO. SD-87668-014	SHEET NO. 1 OF 2			
1 PLACE ± --- ± ---		ANGULAR ± 3 °		THIS DRAWING CONTAINS INFORMATION THAT IS PROPRIETARY TO MOLEX INCORPORATED AND SHOULD NOT BE USED WITHOUT WRITTEN PERMISSION							
DRAFT WHERE APPLICABLE MUST REMAIN WITHIN DIMENSIONS											

PART NUMBER	S-P CONFIGURATION		DIM A	DIM B	DIM C	DIM D	DIM E	VOID PIN LOCATION	VOID POWER LOCATION	PACKAGING	STATUS
	SIGNAL	POWER BETA									
87668-2002	24	10	95.25 3.750	87.63 3.450	86.36 3.400	59.69 2.350	12.70 .500	NIL	NIL	TRAY	TOOLED
87668-2003	20	4	54.61 2.150	46.99 1.850	45.72 1.800	21.59 .850	10.16 .400	NIL	NIL	TRAY	TOOLED
87668-2004	24	6	69.85 2.750	62.24 2.450	60.96 2.400	34.29 1.350	12.70 .500	NIL	NIL	TRAY	TOOLED
87668-2006	24	12	107.95 4.250	100.33 3.950	99.06 3.900	72.39 2.850	12.70 .500	NIL	NIL	TRAY	TOOLED
87668-2007	20	4	54.61 2.150	46.99 1.850	45.72 1.800	21.59 0.850	10.16 0.400	A4,B4,C4,D4	NIL	TRAY	TOOLED
87668-2008	24	10	95.25 3.750	87.63 3.450	86.36 3.400	59.69 2.350	12.70 .500	NIL	B#1	TRAY	TOOLED



- NOTES:
- MATERIALS : HOUSING - LCP GLASS FILLED, UL94V-0, COLOR: BLACK
POWER PINS - COPPER ALLOY
SIGNAL PINS - COPPER ALLOY
BOARD LOCK - COPPER ALLOY
 - FINISHES: POWER AD SIGNAL PINS
SELECTIVE GOLD IN THE CONTACT AREA
THICKNESS = 0.76 MICROMETER / 30 MICROINCH MINIMUM
SELECTIVE TIN IN THE PC TAIL AREA
THICKNESS = 2.54 MICROMETER / 100 MICROINCH MINIMUM
NICKEL OVERALL
 - PRODUCT SPECIFICATIONS : PS-87631-006
 - SEE SHEET 2 FOR RECOMMENDED PCB LAYOUT AND THICKNESS
- COMPONENT STAY AWAY ZONE FROM CONNECTOR
 REFER TO THE TABLE IN PAGE 3 FOR RECESSED PINS LOCATION
 24 SIGNAL - 5 POWER CONNECTOR IS SHOWN FOR ILLUSTRATION

ADD P/N: 87668-2008 EC NO: S2012-0166 DRWN:SKANG 2011/08/29 CHKD:ATSEE 2012/12/19 APPR:MLONG 2011/12/22 REV D2	QUALITY SYMBOLS = 0 = 0.10	GENERAL TOLERANCES (UNLESS SPECIFIED) <table border="1"> <thead> <tr> <th></th> <th>mm</th> <th>INCH</th> </tr> </thead> <tbody> <tr> <td>4 PLACES</td> <td>± ---</td> <td>± ---</td> </tr> <tr> <td>3 PLACES</td> <td>± ---</td> <td>± 0.10</td> </tr> <tr> <td>2 PLACES</td> <td>± 0.25</td> <td>± ---</td> </tr> <tr> <td>1 PLACE</td> <td>± ---</td> <td>± ---</td> </tr> </tbody> </table>		mm	INCH	4 PLACES	± ---	± ---	3 PLACES	± ---	± 0.10	2 PLACES	± 0.25	± ---	1 PLACE	± ---	± ---	DIMENSION STYLE MM/IN DRAWN BY: KMG0H DATE: 2003/06/18 CHECKED BY: PTLIM DATE: 2003/06/20 APPROVED BY: SKTOH DATE: 2003/06/20	SCALE: NTS DESIGN UNITS: METRIC THIRD ANGLE PROJECTION
		mm	INCH																
	4 PLACES	± ---	± ---																
	3 PLACES	± ---	± 0.10																
2 PLACES	± 0.25	± ---																	
1 PLACE	± ---	± ---																	
DRAFT WHERE APPLICABLE MUST REMAIN WITHIN DIMENSIONS		MATERIAL NO.: SEE TABLE DOCUMENT NO.: SD-87668-014 SHEET NO.: 2 OF 2	TITLE: POWER CONNECTOR RECEPT. S-P(B) CONFIGURATION R/A, BOARDLOCK MOLEX MOLEX INCORPORATED																
THIS DRAWING CONTAINS INFORMATION THAT IS PROPRIETARY TO MOLEX INCORPORATED AND SHOULD NOT BE USED WITHOUT WRITTEN PERMISSION																			