



Chipsmall Limited consists of a professional team with an average of over 10 year of expertise in the distribution of electronic components. Based in Hongkong, we have already established firm and mutual-benefit business relationships with customers from,Europe,America and south Asia,supplying obsolete and hard-to-find components to meet their specific needs.

With the principle of "Quality Parts,Customers Priority,Honest Operation,and Considerate Service",our business mainly focus on the distribution of electronic components. Line cards we deal with include Microchip,ALPS,ROHM,Xilinx,Pulse,ON,Everlight and Freescale. Main products comprise IC,Modules,Potentiometer,IC Socket,Relay,Connector.Our parts cover such applications as commercial,industrial, and automotives areas.

We are looking forward to setting up business relationship with you and hope to provide you with the best service and solution. Let us make a better world for our industry!



## Contact us

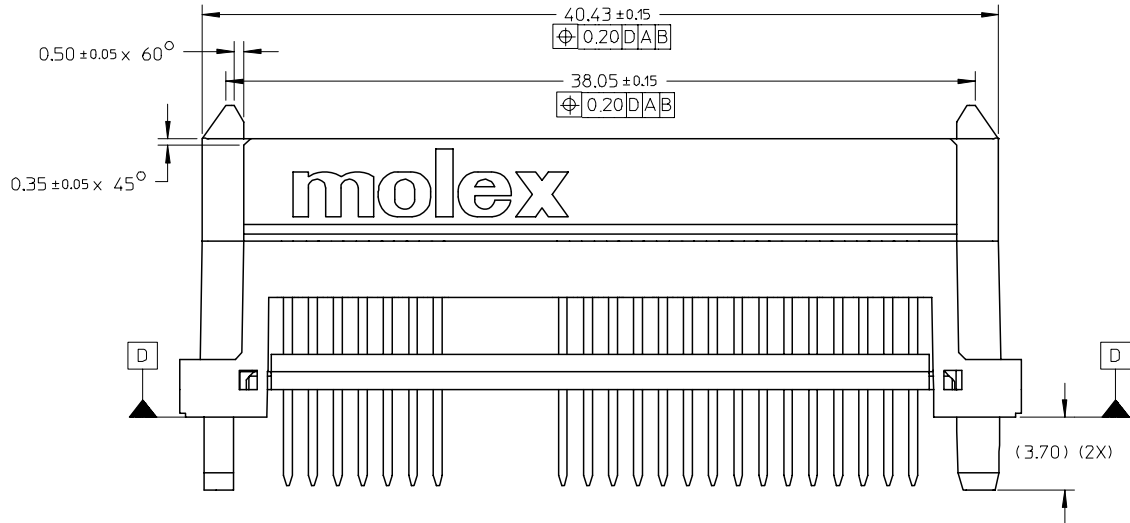
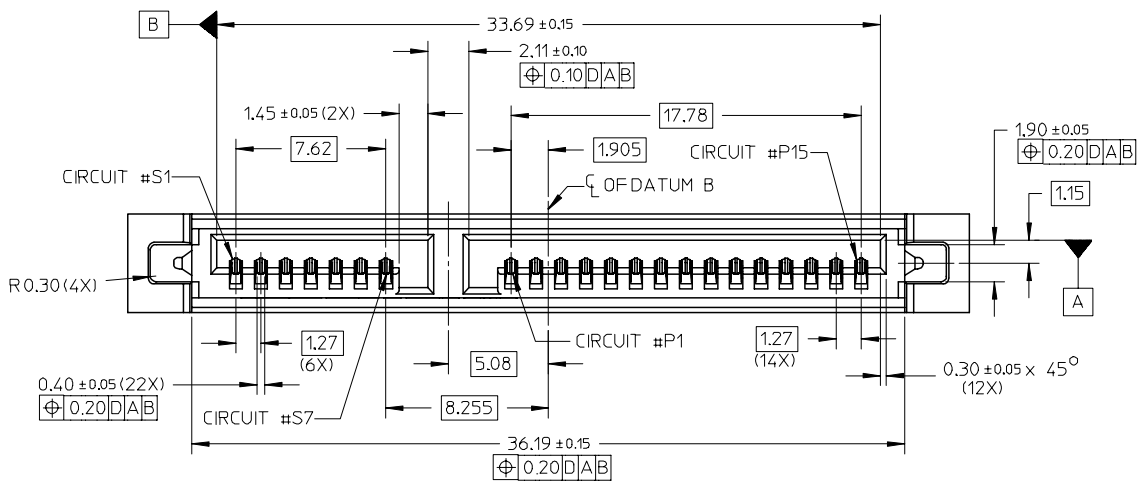
Tel: +86-755-8981 8866 Fax: +86-755-8427 6832

Email & Skype: info@chipsmall.com Web: www.chipsmall.com

Address: A1208, Overseas Decoration Building, #122 Zhenhua RD., Futian, Shenzhen, China

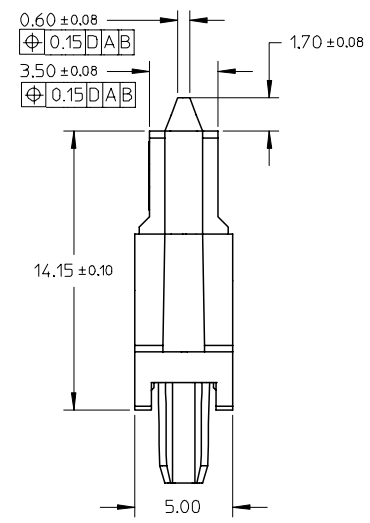


10 9 8 7 6 5 4 3 2 1



NOTES:

1. MATERIAL: LCP, GLASS FILLED, UL 94V-0, COLOR: BLACK  
TERMINAL: COPPER ALLOY
2. PLATING  
CONTACT: 0.76µm MIN. SELECTIVE GOLD OVER 1.27µm MIN. NICKEL  
UNDERPLATE  
SOLDERTAIL: 2.54µm MIN. TIN OVER 1.27µm MIN. NICKEL UNDERPLATE
3. MOLEX LOGO LOCATED APPROXIMATELY AS SHOWN
4. MAXIMUM WARPAGE OF 0.13 mm OVER THE LENGTH OF THE CONNECTOR  
IN ANY DIRECTION BEFORE AND AFTER EXPOSURE TO MAX. 260°C  
FOR 10 SECONDS
5. PRODUCT SPECIFICATION 87678-029 APPLIES
6. PACKAGING  
30 CONNECTORS PER TRAY



OBS TIN/LEAD P/N EC NO: S2006-0984 DRWN:MLONG CHKD:CGTAN APPR:KCLING	QUALITY SYMBOLS ▽=0 △=0	GENERAL TOLERANCES (UNLESS SPECIFIED)		DIMENSION STYLE MM ONLY		SCALE NTS	DESIGN UNITS METRIC	THIRD ANGLE PROJECTION		
			mm	INCH	DRAWN BY DKOH	DATE 2003/03/20	SERIAL ATA BACKPLANE EXT. HT., RECEPT., T/H			
		4 PLACES	± ---	± ---	CHECKED BY KCLING	DATE 2003/03/28				
		3 PLACES	± ---	± ---	APPROVED BY SKTOH	DATE 2003/03/31	MOLEX INCORPORATED			
			ANGULAR ± 3 °		MATERIAL NO. 87678-1001	DOCUMENT NO. SD-87678-023	SHEET NO. 1 OF 4			
		DRAFT WHERE APPLICABLE MUST REMAIN WITHIN DIMENSIONS		SIZE A3	THIS DRAWING CONTAINS INFORMATION THAT IS PROPRIETARY TO MOLEX INCORPORATED AND SHOULD NOT BE USED WITHOUT WRITTEN PERMISSION					

9 8 7 6 5 4 3 2 1

10 9 8 7 6 5 4 3 2 1

F

E

D

C

B

A

F

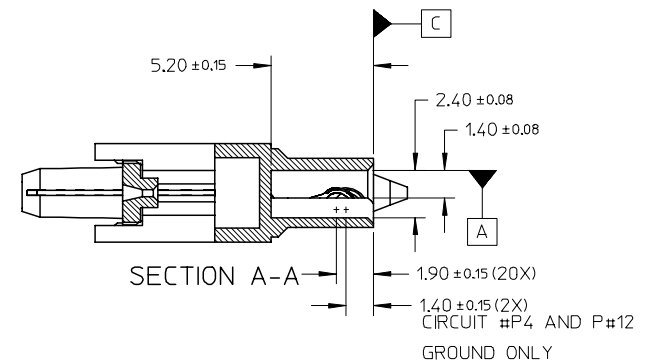
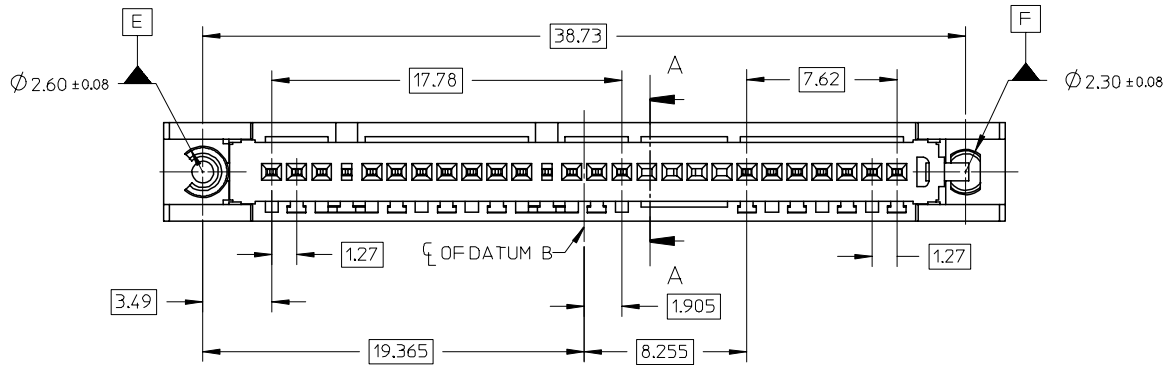
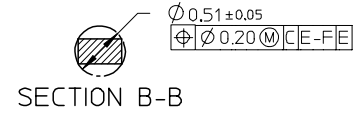
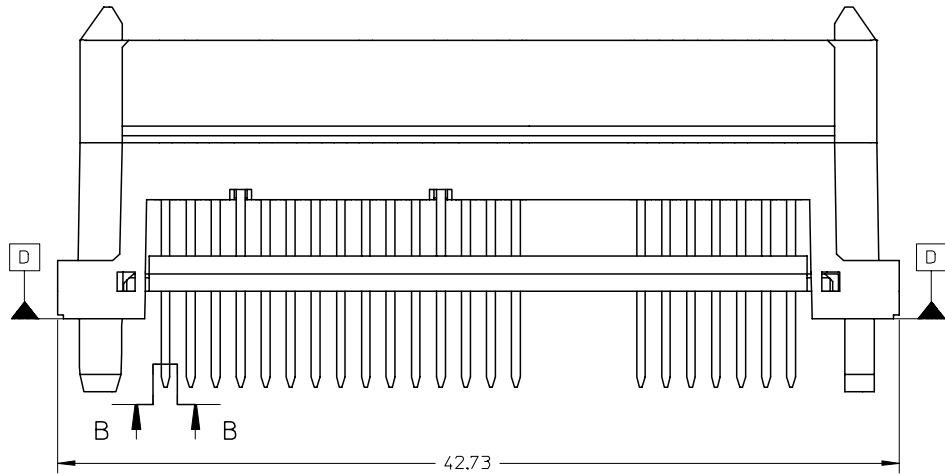
E

D

C

B

A



OBS TIN/LEAD P/N EC NO: S2006-0984 DRWN:MLONG CHKD:CGTAN APPR:KCLING	REV DESCRIPTION	QUALITY SYMBOLS	GENERAL TOLERANCES (UNLESS SPECIFIED)	DIMENSION STYLE	SCALE	DESIGN UNITS	THIRD ANGLE PROJECTION	
		▽=0 ▽C=0	mm INCH	MM ONLY	NTS	METRIC		
			4 PLACES ± --- ± --- 3 PLACES ± --- ± --- 2 PLACES ± 0.20 ± --- 1 PLACE ± --- ± ---	DRAWN BY DATE DKOH 2003/03/20	TITLE	SERIAL ATA BACKPLANE EXT. HT., RECEPT., T/H		
			ANGULAR ± 3 °	CHECKED BY DATE KCLING 2003/03/28	MOLEX INCORPORATED			
		DRAFT WHERE APPLICABLE MUST REMAIN WITHIN DIMENSIONS		APPROVED BY DATE SKTOH 2003/03/31	MATERIAL NO. 87678-1001	DOCUMENT NO. SD-87678-023	SHEET NO. 2 OF 4	

9 8 7 6 5 4 3 2 1

10 9 8 7 6 5 4 3 2 1

F F

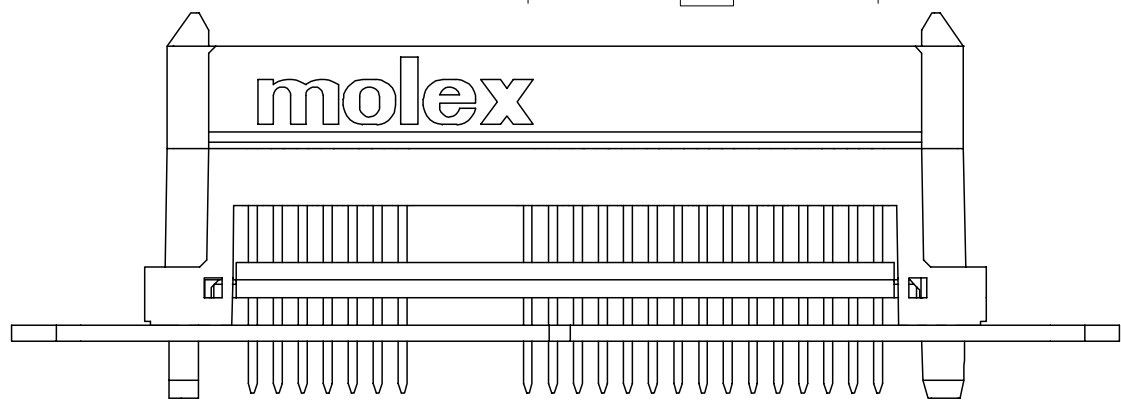
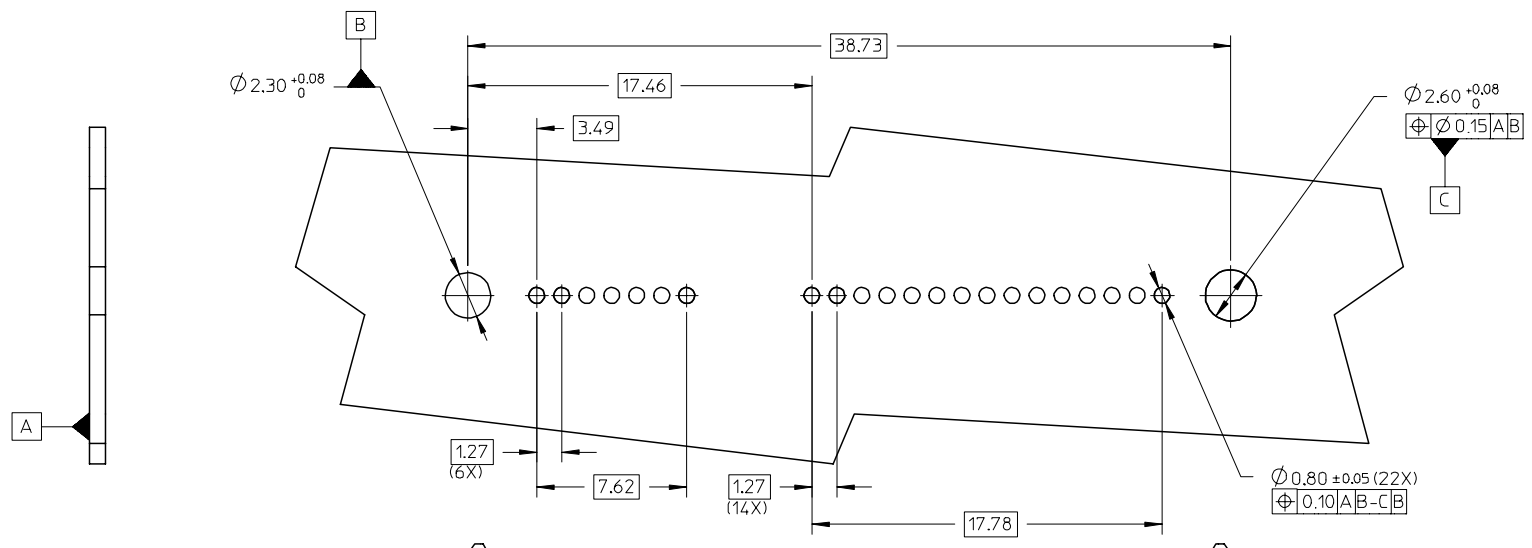
E E

D D

C C

B B

A A



PCB THICKNESS: 0.80 mm - 2.50 mm  
RECOMMENDED PCB LAYOUT

OBS TIN/LEAD P/N EC NO: S2006-0984 DRWN:MLONG CHKD:CGTAN APPR:KCLING	QUALITY SYMBOLS ▽=0 △=0	GENERAL TOLERANCES (UNLESS SPECIFIED)		DIMENSION STYLE MM ONLY		SCALE NTS	DESIGN UNITS METRIC	THIRD ANGLE PROJECTION		
			mm	INCH	DRAWN BY DKOH	DATE 2003/03/20	TITLE SERIAL ATA BACKPLANE EXT. HT., RECEPT., T/H			
		4 PLACES	± ---	± ---	CHECKED BY KCLING	DATE 2003/03/28	MOLEX INCORPORATED			
		3 PLACES	± ---	± ---	APPROVED BY SKTOH	DATE 2003/03/31	DOCUMENT NO. SD-87678-023			
			2 PLACES	± 0.20	± ---	MATERIAL NO. 87678-1001		SHEET NO. 3 OF 4		
			1 PLACE	± ---	± ---	DRAFT WHERE APPLICABLE MUST REMAIN WITHIN DIMENSIONS				
			ANGULAR ± 3 °		SIZE A3		THIS DRAWING CONTAINS INFORMATION THAT IS PROPRIETARY TO MOLEX INCORPORATED AND SHOULD NOT BE USED WITHOUT WRITTEN PERMISSION			

9 8 7 6 5 4 3 2 1

10 9 8 7 6 5 4 3 2 1

F

E

D

C

B

A

F

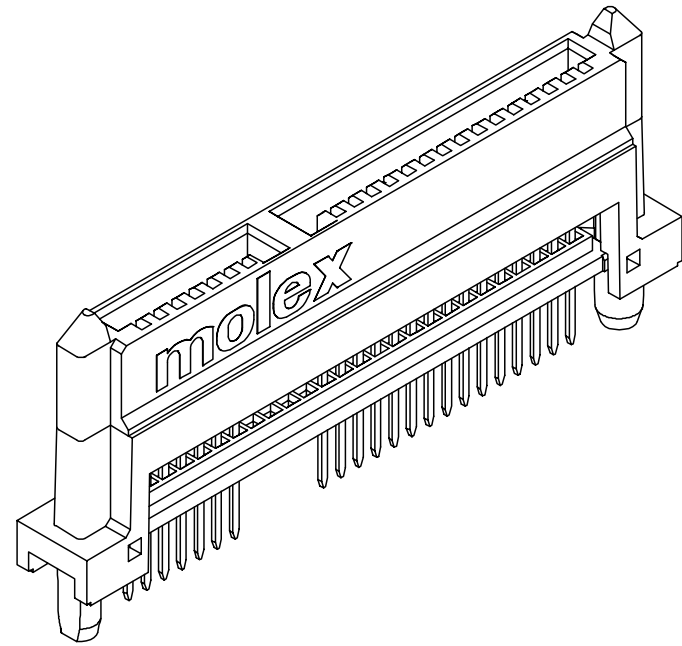
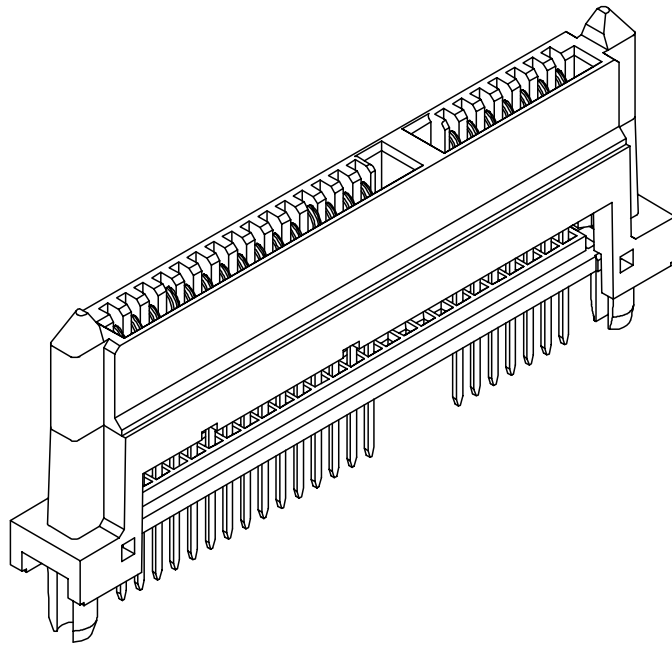
E

D

C

B

A



OBS TIN/LEAD P/N EC NO: S2006-0984 DRWN:MLONG CHKD:CGTAN APPR:KCLING	2006/04/04	2006/04/04
	2006/04/04	2006/04/04
	2006/04/04	2006/04/04
	2006/04/04	2006/04/04

QUALITY SYMBOLS	DESCRIPTION
▽=0	
∇=0	

GENERAL TOLERANCES (UNLESS SPECIFIED)	
	mm INCH
4 PLACES	± --- ± ---
3 PLACES	± --- ± ---
2 PLACES	± 0.20 ± ---
1 PLACE	± --- ± ---
ANGULAR ± 3 °	
DRAFT WHERE APPLICABLE MUST REMAIN WITHIN DIMENSIONS	

DIMENSION STYLE MM ONLY	
DRAWN BY	DATE
DKOH	2003/03/20
CHECKED BY	DATE
KCLING	2003/03/28
APPROVED BY	DATE
SKTOH	2003/03/31
MATERIAL NO.	87678-1001

SCALE NTS	DESIGN UNITS METRIC	THIRD ANGLE PROJECTION
TITLE SERIAL ATA BACKPLANE EXT. HT., RECEPT., T/H		
MOLEX INCORPORATED		
DOCUMENT NO. SD-87678-023	SHEET NO. 4 OF 4	

9 8 7 6 5 4 3 2 1