



Chipsmall Limited consists of a professional team with an average of over 10 year of expertise in the distribution of electronic components. Based in Hongkong, we have already established firm and mutual-benefit business relationships with customers from,Europe,America and south Asia,supplying obsolete and hard-to-find components to meet their specific needs.

With the principle of “Quality Parts,Customers Priority,Honest Operation,and Considerate Service”,our business mainly focus on the distribution of electronic components. Line cards we deal with include Microchip,ALPS,ROHM,Xilinx,Pulse,ON,Everlight and Freescale. Main products comprise IC,Modules,Potentiometer,IC Socket,Relay,Connector.Our parts cover such applications as commercial,industrial, and automotives areas.

We are looking forward to setting up business relationship with you and hope to provide you with the best service and solution. Let us make a better world for our industry!



Contact us

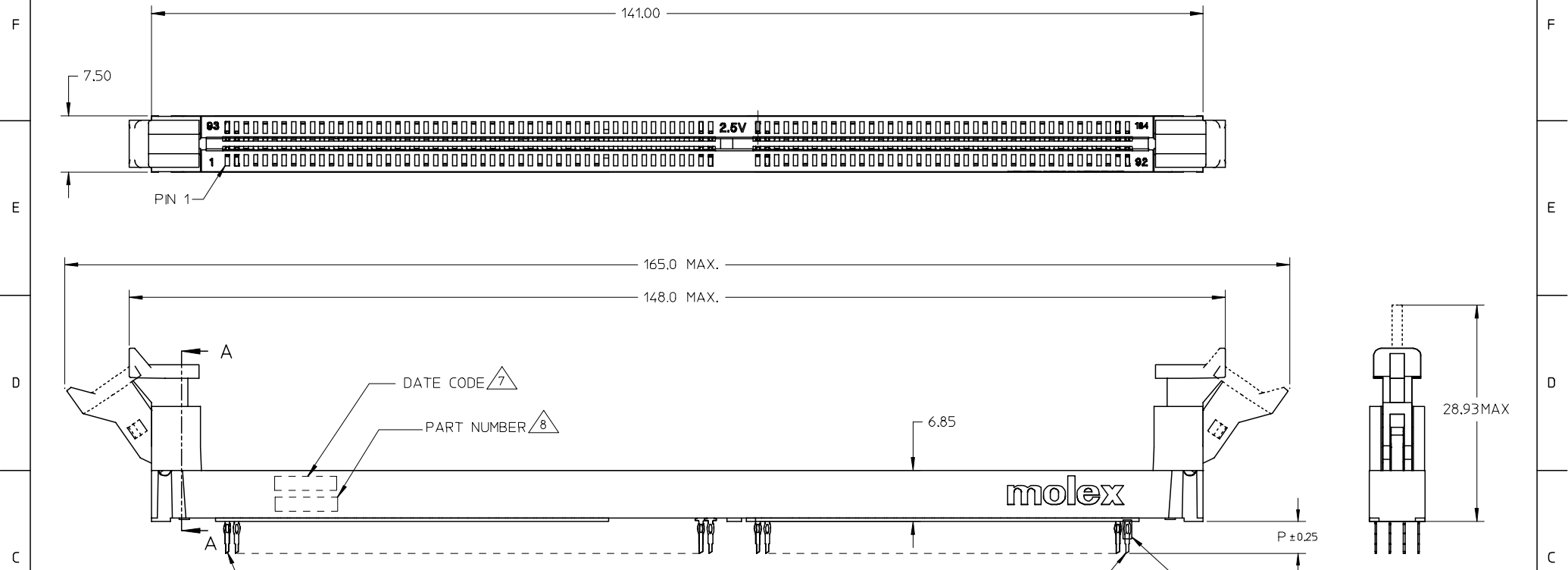
Tel: +86-755-8981 8866 Fax: +86-755-8427 6832

Email & Skype: info@chipsmall.com Web: www.chipsmall.com

Address: A1208, Overseas Decoration Building, #122 Zhenhua RD., Futian, Shenzhen, China



10 9 8 7 6 5 4 3 2 1

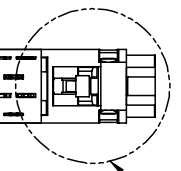


- NOTES:
- CARD SLOT ACCEPTS 1.27±0.10 MODULE THICKNESS. (MEASURED OVER P.C.PADS)
 - RECOMMENDED MODULE LAYOUT SHALL BE PER SHEET 3.
 - RECOMMENDED PLATING ON MODULE PADS: 30u"/0.76uM MINIMUM HARD GOLD OVER 79u"/2uM MINIMUM NICKEL.
 - MATERIAL: HOUSING & LATCH - HIGH TEMP. NYLON, GLASS FILLED, UL 94V-0
 HOUSING COLOUR:
 NATURAL (OFF WHITE) OR BLACK PER SHEET 5
 LATCH COLOR:
 CLEAR OR BLACK PER SHEET 5
 TERMINAL - COPPER ALLOY
 - FINISHES: CONTACT AREA: SEE TABLE PER SHEET 5
 TAIL AREA: 0.38um(15u") TO 1.52um(60u") TIN/LEAD OR TIN OVER 1.27um(50u") MIN. NICKEL
 - PRODUCT IS PACKAGED IN TRAY.
 △ DATE CODE SHALL BE MARKED LEGIBLY AS YYDD.
 △ PART NUMBER SHALL BE MARKED LEGIBLY AS : 87693-XXXX.

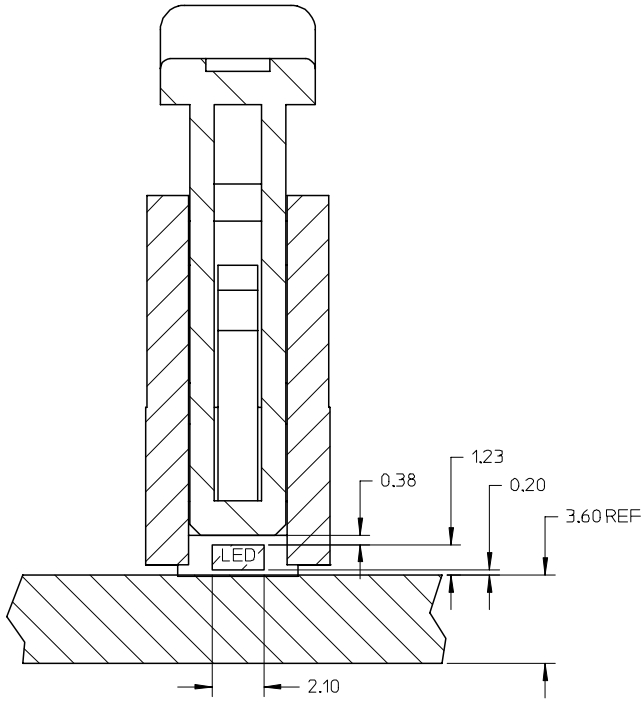
| | | | | | | | | | | |
|--|-------------|-----------------------|--|------------|---|--------|--------------|--------------|---|--|
| VOID P/N EC NO: S2007-0215 DRWN:SKANG 2006/09/11 CHKD:MLONG 2006/09/13 APPR:SKTOH 2006/09/18 | DESCRIPTION | QUALITY SYMBOLS | GENERAL TOLERANCES (UNLESS SPECIFIED) | | DIMENSION STYLE MM ONLY | | SCALE | DESIGN UNITS | THIRD ANGLE PROJECTION | |
| | | ▽=0 ∇=0 | mm | INCH | DRAWN BY | DATE | TITLE | METRIC | DDR DIMM, 1.27MM PITCH 184 CKTS, LIGHTPIPE VERTICAL PRESS-FIT | |
| | | 4 PLACES ± --- ± --- | VSKHOANG | 2004/02/10 | molex MOLEX INCORPORATED | | | | | |
| | | 3 PLACES ± --- ± --- | PTL IM | 2004/02/10 | | | DOCUMENT NO. | SHEET NO. | | |
| | | 2 PLACES ± 0.20 ± --- | APPROVED BY | DATE | SD-87693-202 | 1 OF 5 | | | | |
| | | 1 PLACE ± --- ± --- | SKTOH | 2004/02/10 | | | | | | |
| | | ANGULAR ± 3 ° | DRAFT WHERE APPLICABLE MUST REMAIN WITHIN DIMENSIONS | | SEE TABLE | | | | | |
| | | | | | MATERIAL NO. | | | | | |
| | | | | | SIZE | | | | | |
| | | | | | A3 | | | | | |
| | | | | | THIS DRAWING CONTAINS INFORMATION THAT IS PROPRIETARY TO MOLEX INCORPORATED AND SHOULD NOT BE USED WITHOUT WRITTEN PERMISSION | | | | | |

9 8 7 6 5 4 3 2 1

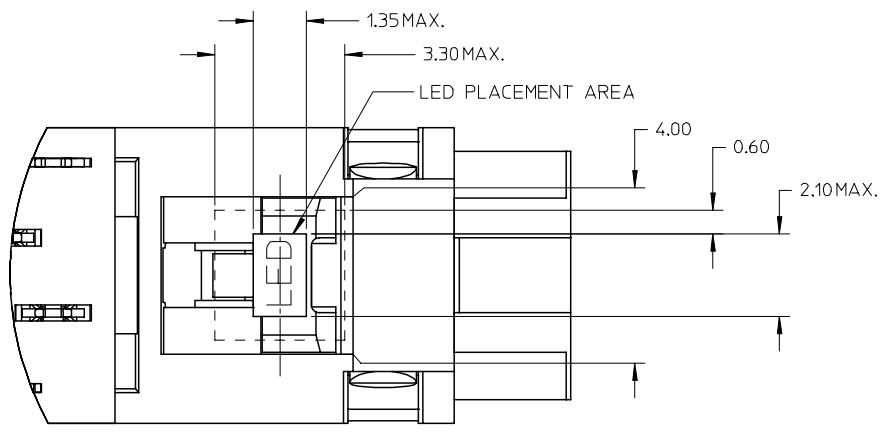
10 9 8 7 6 5 4 3 2 1



Detail2



SECTION A-A



Detail2

| | | | | | | | | | | | | | | | | | | | | | | | | | | | | | | |
|---|--------------------|----------------------------|--|----------|----------------------------|-----------|--------------|------------------------|------------------------|----------|------------|-----------|---------|-----------|-----------|---|----------|------|----------|------------|------------|------|--------|------------|-------------|------|-------|------------|-------|---------------------------|
| VOID P/N EC NO: S2007-0215 DRWN:SKANG CHKD:MLONG APPR:SKTOH | DESCRIPTION REV | QUALITY SYMBOLS | GENERAL TOLERANCES (UNLESS SPECIFIED) | | DIMENSION STYLE MM ONLY | | SCALE NTS | DESIGN UNITS METRIC | THIRD ANGLE PROJECTION | | | | | | | | | | | | | | | | | | | | | |
| | | $\nabla=0$ $\nabla C=0$ | <table border="1"> <tr> <td>4 PLACES</td> <td>\pm---</td> <td>\pm---</td> </tr> <tr> <td>3 PLACES</td> <td>\pm---</td> <td>\pm---</td> </tr> <tr> <td>2 PLACES</td> <td>± 0.20</td> <td>\pm---</td> </tr> <tr> <td>1 PLACE</td> <td>\pm---</td> <td>\pm---</td> </tr> </table> | 4 PLACES | \pm --- | \pm --- | 3 PLACES | \pm --- | \pm --- | 2 PLACES | ± 0.20 | \pm --- | 1 PLACE | \pm --- | \pm --- | <table border="1"> <tr> <td>DRAWN BY</td> <td>DATE</td> </tr> <tr> <td>VSKHOANG</td> <td>2004/02/10</td> </tr> <tr> <td>CHECKED BY</td> <td>DATE</td> </tr> <tr> <td>PTL IM</td> <td>2004/02/10</td> </tr> <tr> <td>APPROVED BY</td> <td>DATE</td> </tr> <tr> <td>SKTOH</td> <td>2004/02/10</td> </tr> </table> | DRAWN BY | DATE | VSKHOANG | 2004/02/10 | CHECKED BY | DATE | PTL IM | 2004/02/10 | APPROVED BY | DATE | SKTOH | 2004/02/10 | TITLE | MOLEX INCORPORATED |
| 4 PLACES | \pm --- | \pm --- | | | | | | | | | | | | | | | | | | | | | | | | | | | | |
| 3 PLACES | \pm --- | \pm --- | | | | | | | | | | | | | | | | | | | | | | | | | | | | |
| 2 PLACES | ± 0.20 | \pm --- | | | | | | | | | | | | | | | | | | | | | | | | | | | | |
| 1 PLACE | \pm --- | \pm --- | | | | | | | | | | | | | | | | | | | | | | | | | | | | |
| DRAWN BY | DATE | | | | | | | | | | | | | | | | | | | | | | | | | | | | | |
| VSKHOANG | 2004/02/10 | | | | | | | | | | | | | | | | | | | | | | | | | | | | | |
| CHECKED BY | DATE | | | | | | | | | | | | | | | | | | | | | | | | | | | | | |
| PTL IM | 2004/02/10 | | | | | | | | | | | | | | | | | | | | | | | | | | | | | |
| APPROVED BY | DATE | | | | | | | | | | | | | | | | | | | | | | | | | | | | | |
| SKTOH | 2004/02/10 | | | | | | | | | | | | | | | | | | | | | | | | | | | | | |
| DRAFT WHERE APPLICABLE MUST REMAIN WITHIN DIMENSIONS | | SEE TABLE | DOCUMENT NO. SD-87693-202 | | | | | | | | | | | | | | | | | | | | | | | | | | | |

9 8 7 6 5 4 3 2 1

10 9 8 7 6 5 4 3 2 1

F

F

NOTES:

- 1 CARD THICKNESS APPLIES ACROSS THE CONTACTS AND INCLUDES PLATING AND/OR METALIZATION. STRAIGHTNESS CALLOUT APPLIES TO ZONE DEFINED BY THE 4.00 CONTACT AREA DIMENSION FOR THE ENTIRE LENGTH OF 133.35.

E

E

D

D

C

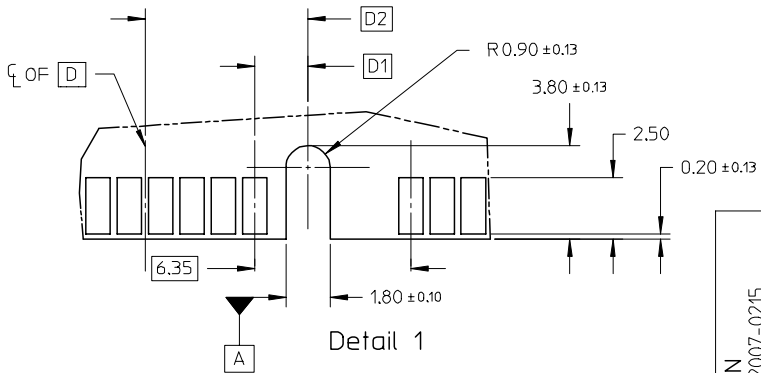
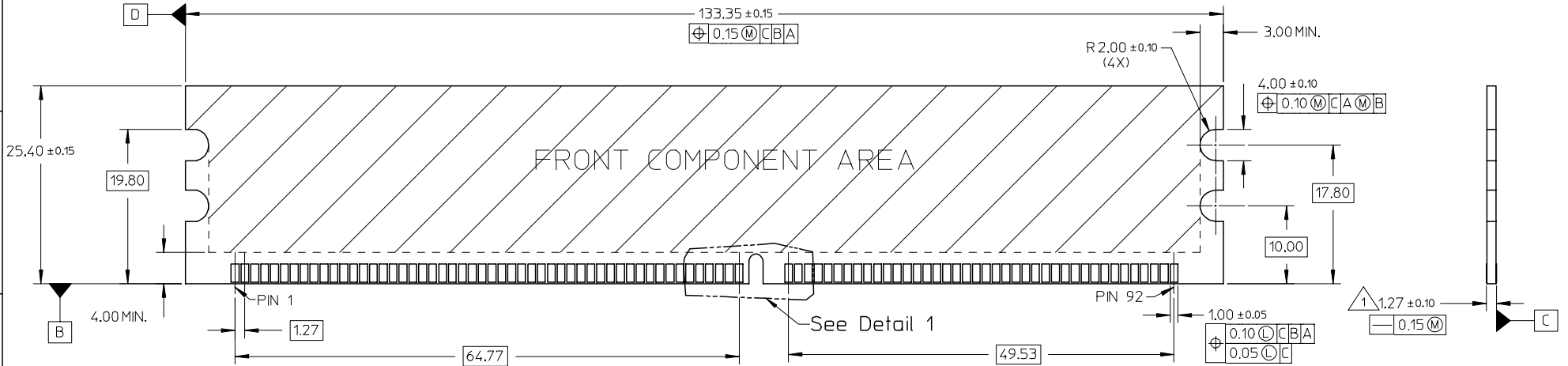
C

B

B

A

A



| | |
|-------------------|-------------|
| VOID P/N | DESCRIPTION |
| EC NO: S2007-0215 | 2006/09/11 |
| DRWN:SKANG | 2006/09/13 |
| CHKD:MLONG | 2006/09/18 |
| APPR:SKTOH | |
| REV | |

| | |
|-----------------|-----------------|
| QUALITY SYMBOLS | QUALITY SYMBOLS |
| ▽=0 | ▽=0 |
| ▽=0 | ▽=0 |

| | | |
|--|--------|-------|
| GENERAL TOLERANCES (UNLESS SPECIFIED) | mm | INCH |
| 4 PLACES | ± --- | ± --- |
| 3 PLACES | ± --- | ± --- |
| 2 PLACES | ± 0.20 | ± --- |
| 1 PLACE | ± --- | ± --- |
| ANGULAR ± 3 ° | | |
| DRAFT WHERE APPLICABLE MUST REMAIN WITHIN DIMENSIONS | | |

| | | | | |
|-----------------|--------------|------------------------|--------------|------------------------|
| DIMENSION STYLE | | SCALE | DESIGN UNITS | THIRD ANGLE PROJECTION |
| MM ONLY | | NTS | METRIC | |
| DRAWN BY | DATE | TITLE | | |
| VSKHOANG | 2004/02/10 | DDR DIMM, 1.27MM PITCH | | |
| CHECKED BY | DATE | 184 CKTS, LIGHTPIPE | | |
| PTL IM | 2004/02/10 | VERTICAL PRESS-FIT | | |
| APPROVED BY | DATE | MOLEX INCORPORATED | | |
| SKTOH | 2004/02/10 | | | |
| MATERIAL NO. | DOCUMENT NO. | SHEET NO. | | |
| | SD-87693-202 | 3 OF 5 | | |

| | | | |
|------|---|--|--|
| SIZE | THIS DRAWING CONTAINS INFORMATION THAT IS PROPRIETARY TO MOLEX INCORPORATED AND SHOULD NOT BE USED WITHOUT WRITTEN PERMISSION | | |
| A3 | | | |

9 8 7 6 5 4 3 2 1

| | 10 | 9 | 8 | 7 | 6 | 5 | 4 | 3 | 2 | 1 | | |
|---|------------|----------------|-------------|-----------------------|------------------------------|----------------|-------------|-------|---|---|-------------------|-------|
| F | | PLATING OPTION | PART NUMBER | TAIL LENGTH P±0.25 | RECOMMENDED PCB THICKNESS | VOLTAGE KEY | DESCRIPTION | D1 | D2 | FINISHES CONTACT AREA | HOUSING COLOUR | LATCH |
| E | | TIN/LEAD | 87693-4201 | 4.30 | 4.57 | 2.5 VOLT | LEFT | 2.175 | 6.62 | SELECTIVE GOLD 15u"/0.38uM MIN. GOLD OVER 50u"/1.27uM MIN. NICKEL | BLACK | BLACK |
| | 87693-4301 | | 3.32 | 3.60 | | | | | | | | |
| | 87693-4202 | | 4.30 | 4.57 | 1.8 VOLT | CENTER | 3.175 | 7.62 | | | | |
| | 87693-4302 | | 3.32 | 3.60 | | | | | | | | |
| | 87693-4211 | | 4.30 | 4.57 | 2.5 VOLT | LEFT | 2.175 | 6.62 | SELECTIVE GOLD 30u"/0.76uM MIN. GOLD OVER 50u"/1.27uM MIN. NICKEL | | | |
| | 87693-4311 | | 3.32 | 3.60 | | | | | | | | |
| | 87693-4212 | | 4.30 | 4.57 | 1.8 VOLT | CENTER | 3.175 | 7.62 | | | | |
| | 87693-4312 | | 3.32 | 3.60 | | | | | | | | |
| | 87693-5201 | | 4.30 | 4.57 | 2.5 VOLT | LEFT | 2.175 | 6.62 | SELECTIVE GOLD 15u"/0.38uM MIN. GOLD OVER 50u"/1.27uM MIN. NICKEL | | | |
| | 87693-5301 | | 3.32 | 3.60 | | | | | | | | |
| | 87693-5202 | | 4.30 | 4.57 | 1.8 VOLT | CENTER | 3.175 | 7.62 | | | | |
| | 87693-5302 | | 3.32 | 3.60 | | | | | | | | |
| | 87693-5211 | | 4.30 | 4.57 | 2.5 VOLT | LEFT | 2.175 | 6.62 | SELECTIVE GOLD 30u"/0.76uM MIN. GOLD OVER 50u"/1.27uM MIN. NICKEL | | | |
| | 87693-5311 | | 3.32 | 3.60 | | | | | | | | |
| | 87693-5212 | 4.30 | 4.57 | 1.8 VOLT | CENTER | 3.175 | 7.62 | | | | | |
| | 87693-5312 | 3.32 | 3.60 | | | | | | | | | |
| D | | TIN | 87693-6311 | 3.32 | 3.60 | 2.5 VOLT | LEFT | 2.175 | 6.62 | | NATURAL | |
| | 87693-0201 | | 4.30 | 4.57 | 2.5 VOLT | LEFT | 2.175 | 6.62 | SELECTIVE GOLD 15u"/0.38uM MIN. GOLD OVER 50u"/1.27uM MIN. NICKEL | BLACK | BLACK | |
| | 87693-0301 | | 3.32 | 3.60 | | | | | | | | |
| | 87693-0202 | | 4.30 | 4.57 | 1.8 VOLT | CENTER | 3.175 | 7.62 | | | | |
| | 87693-0302 | | 3.32 | 3.60 | | | | | | | | |
| | 87693-0311 | | 3.32 | 3.60 | 2.5 VOLT | LEFT | 2.175 | 6.62 | SELECTIVE GOLD 30u"/0.76uM MIN. GOLD OVER 50u"/1.27uM MIN. NICKEL | | | |
| | 87693-1201 | | 4.30 | 4.57 | 2.5 VOLT | LEFT | 2.175 | 6.62 | SELECTIVE GOLD 15u"/0.38uM MIN. GOLD OVER 50u"/1.27uM MIN. NICKEL | BLACK | BLACK | |
| | 87693-1301 | | 3.32 | 3.60 | | | | | | | | |
| | 87693-1202 | | 4.30 | 4.57 | 1.8 VOLT | CENTER | 3.175 | 7.62 | | | | |
| | 87693-1302 | | 3.32 | 3.60 | | | | | | | | |
| | 87693-1211 | | 4.30 | 4.57 | 2.5 VOLT | LEFT | 2.175 | 6.62 | SELECTIVE GOLD 30u"/0.76uM MIN. GOLD OVER 50u"/1.27uM MIN. NICKEL | | | |
| | 87693-1311 | | 3.32 | 3.60 | | | | | | | | |
| B | | | 87693-2311 | 3.32 | 3.60 | 2.5 VOLT | LEFT | 2.175 | 6.62 | | NATURAL | |

| | | | | | | | | | | | |
|---|--|---|--------------------|-----------------|--|----------------------|---------------------|------------|---|---------------------------|-------|
| A | VOID P/N EC NO: S2007-0215 DRW:SKANG CHKD:MLONG APPR:SKTOH | 2006/09/11 2006/09/13 2006/09/18 | REV DESCRIPTION | QUALITY SYMBOLS | GENERAL TOLERANCES (UNLESS SPECIFIED) | DIMENSION STYLE | | SCALE | DESIGN UNITS | THIRD ANGLE PROJECTION | |
| | | | | ▽=0 ∇=0 | | MM ONLY | | NTS | METRIC | | |
| | | | | | | mm | INCH | DRAWN BY | DATE | | TITLE |
| | | | | | | 4 PLACES ± --- ± --- | VSKHOANG | 2004/02/10 | DDR DIMM, 1.27MM PITCH 184 CKTS, LIGHTPIPE VERTICAL PRESS-FIT | | |
| | 3 PLACES ± --- ± --- | CHECKED BY | DATE | | | | | | | | |
| | 2 PLACES ± 0.20 ± --- | PTL IM | 2004/02/10 | | | | | | | | |
| | 1 PLACE ± --- ± --- | APPROVED BY | DATE | | | | | | | | |
| | ANGULAR ± 3 ° | SKTOH | 2004/02/10 | | | | | | | | |
| | | MATERIAL NO. | DOCUMENT NO. | | | | | | | | |
| | | DRAFT WHERE APPLICABLE MUST REMAIN WITHIN DIMENSIONS | | SIZE | SEE TABLE | SD-87693-202 | SHEET NO. 5 OF 5 | | | | |
| | | THIS DRAWING CONTAINS INFORMATION THAT IS PROPRIETARY TO MOLEX INCORPORATED AND SHOULD NOT BE USED WITHOUT WRITTEN PERMISSION | | | | | | | | | |