



Chipsmall Limited consists of a professional team with an average of over 10 year of expertise in the distribution of electronic components. Based in Hongkong, we have already established firm and mutual-benefit business relationships with customers from,Europe,America and south Asia,supplying obsolete and hard-to-find components to meet their specific needs.

With the principle of “Quality Parts,Customers Priority,Honest Operation,and Considerate Service”,our business mainly focus on the distribution of electronic components. Line cards we deal with include Microchip,ALPS,ROHM,Xilinx,Pulse,ON,Everlight and Freescale. Main products comprise IC,Modules,Potentiometer,IC Socket,Relay,Connector.Our parts cover such applications as commercial,industrial, and automotives areas.

We are looking forward to setting up business relationship with you and hope to provide you with the best service and solution. Let us make a better world for our industry!



Contact us

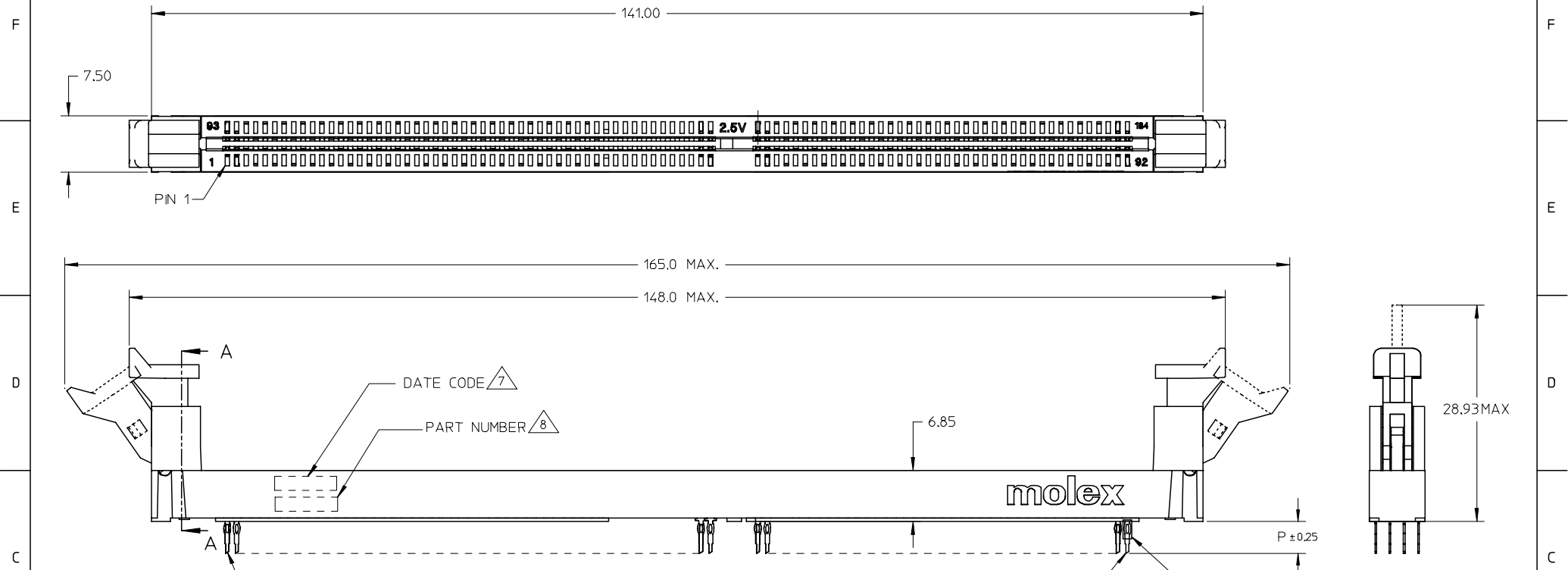
Tel: +86-755-8981 8866 Fax: +86-755-8427 6832

Email & Skype: info@chipsmall.com Web: www.chipsmall.com

Address: A1208, Overseas Decoration Building, #122 Zhenhua RD., Futian, Shenzhen, China



10 9 8 7 6 5 4 3 2 1

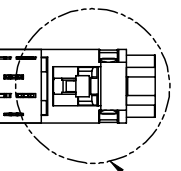


- NOTES:
- CARD SLOT ACCEPTS 1.27±0.10 MODULE THICKNESS. (MEASURED OVER P.C.PADS)
 - RECOMMENDED MODULE LAYOUT SHALL BE PER SHEET 3.
 - RECOMMENDED PLATING ON MODULE PADS: 30u"/0.76uM MINIMUM HARD GOLD OVER 79u"/2uM MINIMUM NICKEL.
 - MATERIAL: HOUSING & LATCH - HIGH TEMP. NYLON, GLASS FILLED, UL 94V-0
HOUSING COLOUR:
NATURAL (OFF WHITE) OR BLACK PER SHEET 5
LATCH COLOR:
CLEAR OR BLACK PER SHEET 5
TERMINAL - COPPER ALLOY
 - FINISHES: CONTACT AREA: SEE TABLE PER SHEET 5
TAIL AREA: 0.38uM(15u") TO 1.52uM(60u") TIN/LEAD OR TIN OVER 1.27uM(50u") MIN. NICKEL
 - PRODUCT IS PACKAGED IN TRAY.
DATE CODE SHALL BE MARKED LEGIBLY AS YYDD.
PART NUMBER SHALL BE MARKED LEGIBLY AS : 87693-XXXX.

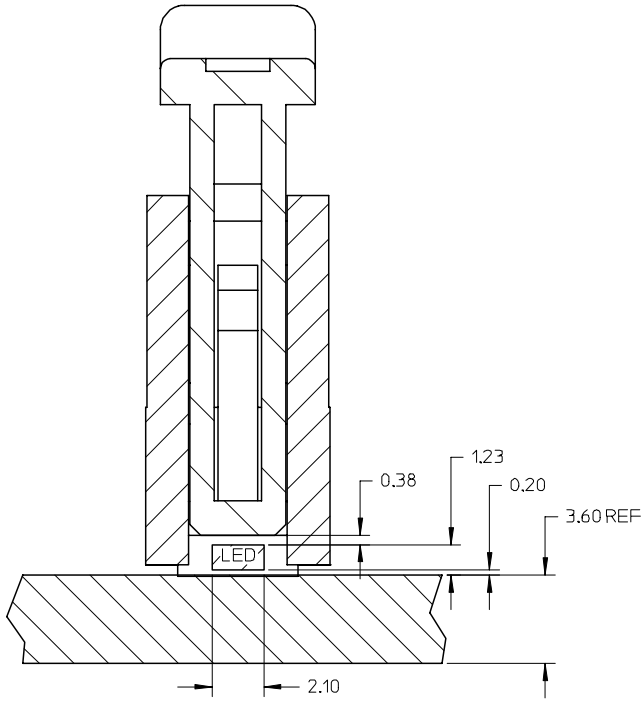
VOID P/N EC NO: S2007-0215 DRWN:SKANG 2006/09/11 CHKD:MLONG 2006/09/13 APPR:SKTOH 2006/09/18	DESCRIPTION	QUALITY SYMBOLS	GENERAL TOLERANCES (UNLESS SPECIFIED)		DIMENSION STYLE MM ONLY		SCALE	DESIGN UNITS	THIRD ANGLE PROJECTION	
		▽=0 ∇=0	mm	INCH	DRAWN BY	DATE	NTS	METRIC	TITLE	
			4 PLACES ± ---	± ---	VSKHOANG	2004/02/10			DDR DIMM, 1.27MM PITCH 184 CKTS, LIGHTPIPE VERTICAL PRESS-FIT	
			3 PLACES ± ---	± ---	CHECKED BY	DATE			MOLEX INCORPORATED	
		2 PLACES ± 0.20	± ---	PTL IM	2004/02/10					
		1 PLACE ± ---	± ---	APPROVED BY	DATE					
		ANGULAR ± 3 °		SKTOH	2004/02/10					
		DRAFT WHERE APPLICABLE MUST REMAIN WITHIN DIMENSIONS		MATERIAL NO.		DOCUMENT NO.		SHEET NO.		
				SEE TABLE		SD-87693-202		1 OF 5		
				THIS DRAWING CONTAINS INFORMATION THAT IS PROPRIETARY TO MOLEX INCORPORATED AND SHOULD NOT BE USED WITHOUT WRITTEN PERMISSION						

9 8 7 6 5 4 3 2 1

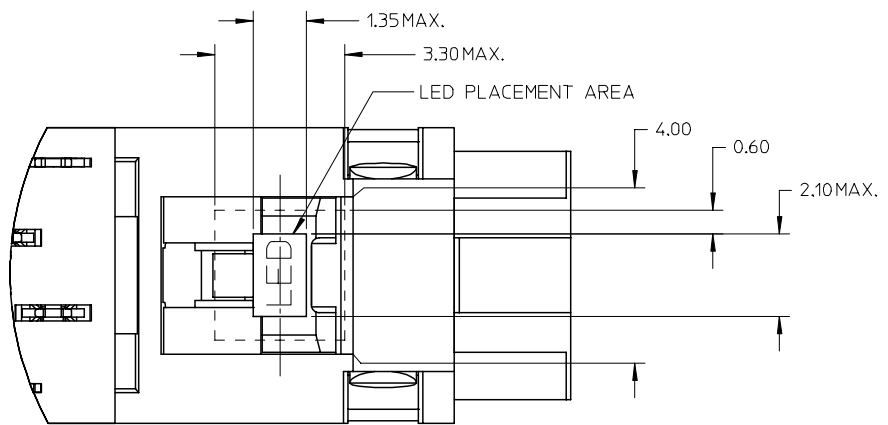
10 9 8 7 6 5 4 3 2 1



Detail2



SECTION A-A



Detail2

VOID P/N EC NO: S2007-0215 DRWN:SKANG CHKD:MLONG APPR:SKTOH	DESCRIPTION 2006/09/11 2006/09/13 2006/09/18	QUALITY SYMBOLS	GENERAL TOLERANCES (UNLESS SPECIFIED)		DIMENSION STYLE MM ONLY		SCALE NTS	DESIGN UNITS METRIC	THIRD ANGLE PROJECTION		
		$\nabla=0$ $\nabla C=0$	4 PLACES	± ---	± ---	DRAWN BY VSKHOANG	DATE 2004/02/10	TITLE	DDR DIMM, 1.27MM PITCH 184 CKTS, LIGHTPIPE VERTICAL PRESS-FIT		
			3 PLACES	± ---	± ---	CHECKED BY PTL IM	DATE 2004/02/10				
			2 PLACES	± 0.20	± ---	APPROVED BY SKTOH	DATE 2004/02/10	MOLEX INCORPORATED	DOCUMENT NO. SD-87693-202	SHEET NO. 2 OF 5	
	1 PLACE	± ---	± ---	MATERIAL NO.		SEE TABLE					
DRAFT WHERE APPLICABLE MUST REMAIN WITHIN DIMENSIONS			ANGULAR ± 3 °		SIZE A3		THIS DRAWING CONTAINS INFORMATION THAT IS PROPRIETARY TO MOLEX INCORPORATED AND SHOULD NOT BE USED WITHOUT WRITTEN PERMISSION				

9 8 7 6 5 4 3 2 1

10 9 8 7 6 5 4 3 2 1

F

F

NOTES:

- 1 CARD THICKNESS APPLIES ACROSS THE CONTACTS AND INCLUDES PLATING AND/OR METALIZATION. STRAIGHTNESS CALLOUT APPLIES TO ZONE DEFINED BY THE 4.00 CONTACT AREA DIMENSION FOR THE ENTIRE LENGTH OF 133.35.

E

E

D

D

C

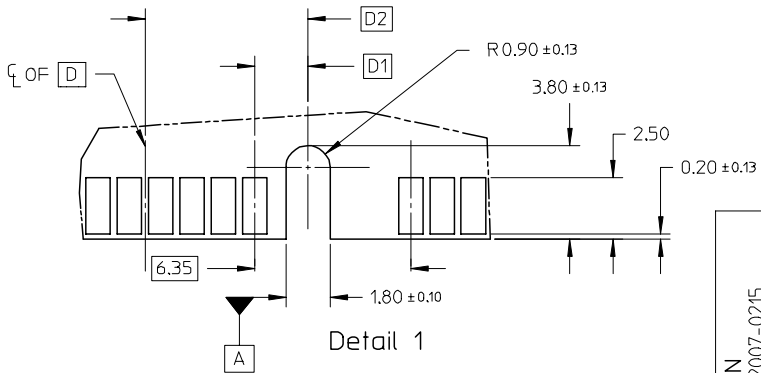
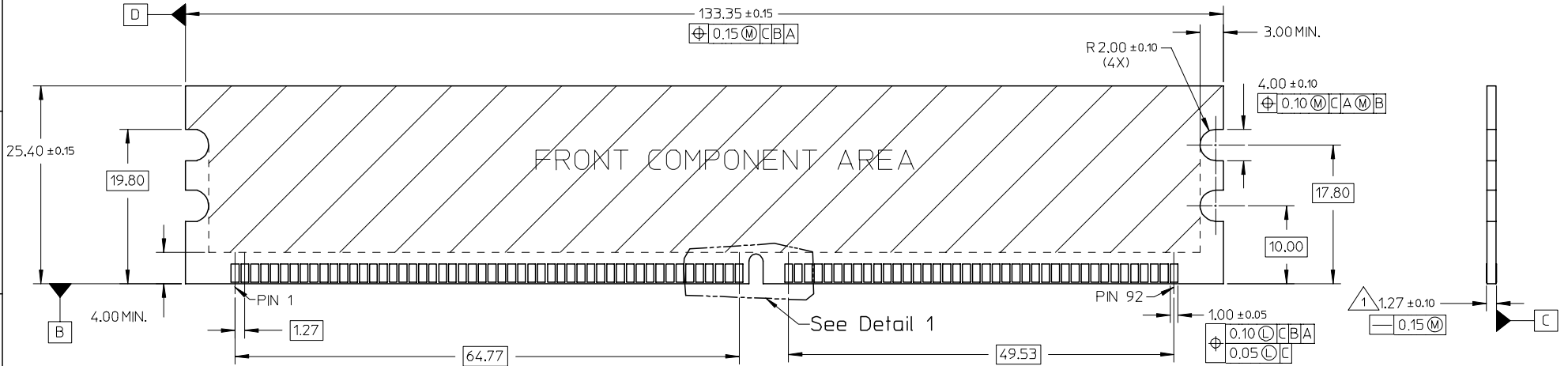
C

B

B

A

A



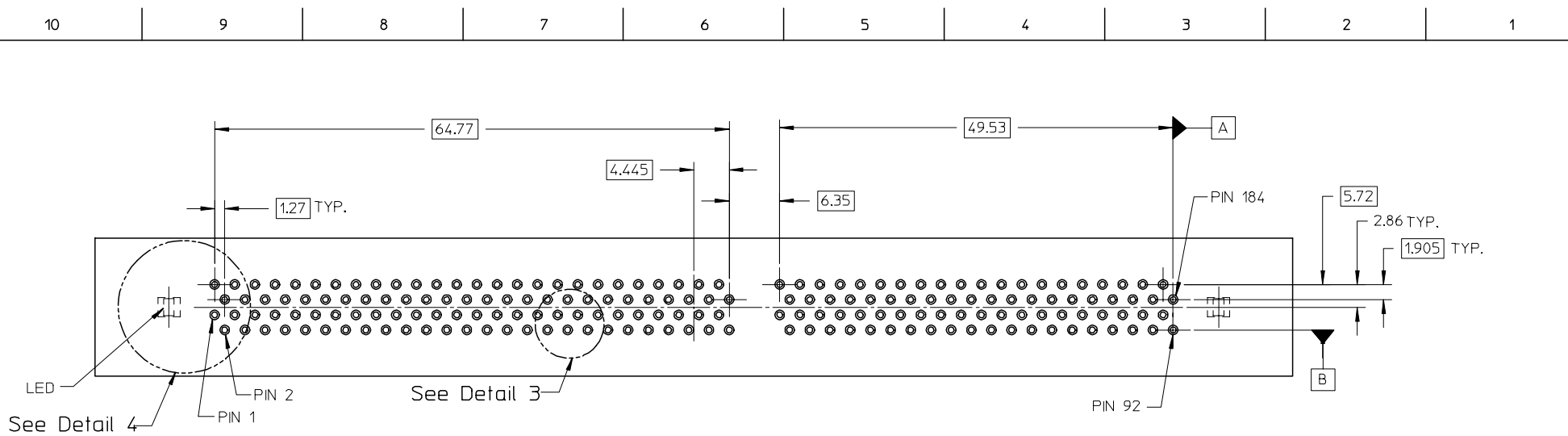
VOID P/N	DESCRIPTION
EC NO: S2007-0215	2006/09/11
DRWN:SKANG	2006/09/13
CHKD:MLONG	2006/09/18
APPR:SKTOH	
REV	

QUALITY SYMBOLS	DESCRIPTION
▽=0	
▽C=0	

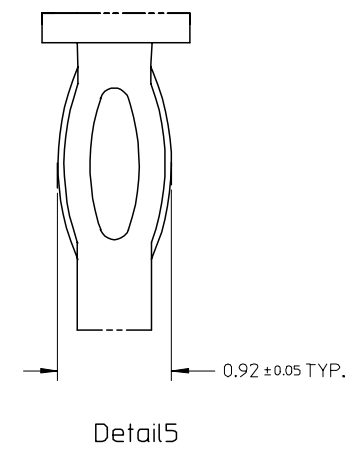
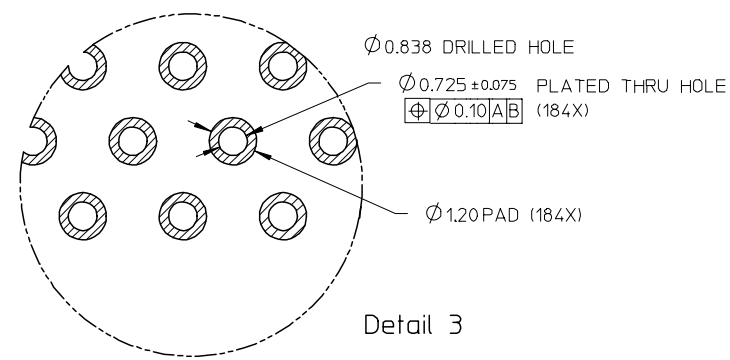
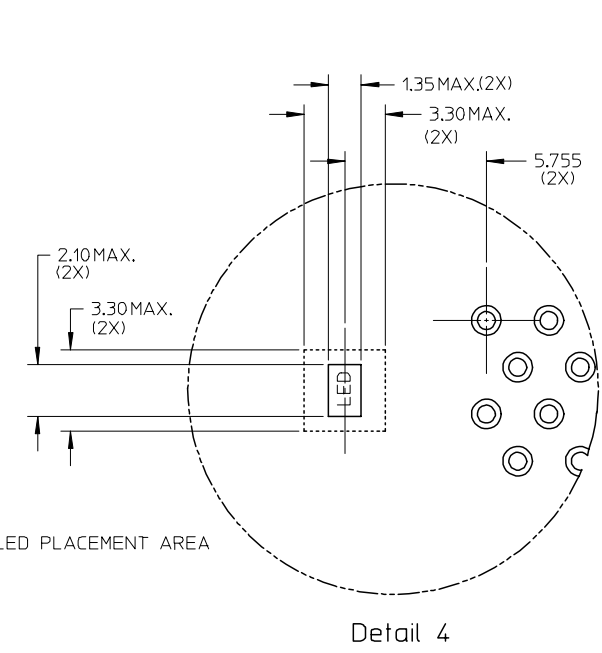
GENERAL TOLERANCES (UNLESS SPECIFIED)	mm	INCH
	4 PLACES ± ---	± ---
	3 PLACES ± ---	± ---
	2 PLACES ± 0.20	± ---
	1 PLACE ± ---	± ---
	ANGULAR ± 3 °	
DRAFT WHERE APPLICABLE MUST REMAIN WITHIN DIMENSIONS		

DIMENSION STYLE		SCALE	DESIGN UNITS	THIRD ANGLE PROJECTION
MM ONLY		NTS	METRIC	
DRAWN BY	DATE	TITLE		
VSKHOANG	2004/02/10	DDR DIMM, 1.27MM PITCH		
CHECKED BY	DATE	184 CKTS, LIGHTPIPE		
PTL IM	2004/02/10	VERTICAL PRESS-FIT		
APPROVED BY	DATE	MOLEX INCORPORATED		
SKTOH	2004/02/10			
MATERIAL NO.	DOCUMENT NO.	SHEET NO.		
	SD-87693-202	3 OF 5		
SIZE	THIS DRAWING CONTAINS INFORMATION THAT IS PROPRIETARY TO MOLEX INCORPORATED AND SHOULD NOT BE USED WITHOUT WRITTEN PERMISSION			
A3				

9 8 7 6 5 4 3 2 1



RECOMMENDED P.CBOARD HOLE PATTERN
(SEE RECOMMENDED THICKNESS IN TABLE)



VOID P/N EC NO: S2007-0215 DRWN:SKANG CHKD:MLONG APPR:SKTOH	DESCRIPTION 2006/09/11 2006/09/13 2006/09/18	QUALITY SYMBOLS	GENERAL TOLERANCES (UNLESS SPECIFIED)	DIMENSION STYLE	SCALE	DESIGN UNITS	THIRD ANGLE PROJECTION																		
		$\nabla=0$ $\nabla C=0$	<table border="1"> <tr> <th></th> <th>mm</th> <th>INCH</th> </tr> <tr> <td>4 PLACES</td> <td>± ---</td> <td>± ---</td> </tr> <tr> <td>3 PLACES</td> <td>± ---</td> <td>± ---</td> </tr> <tr> <td>2 PLACES</td> <td>± 0.20</td> <td>± ---</td> </tr> <tr> <td>1 PLACE</td> <td>± ---</td> <td>± ---</td> </tr> <tr> <td colspan="3">ANGULAR ± 3 °</td> </tr> </table>		mm	INCH	4 PLACES	± ---	± ---	3 PLACES	± ---	± ---	2 PLACES	± 0.20	± ---	1 PLACE	± ---	± ---	ANGULAR ± 3 °			MM ONLY	NTS	METRIC	
			mm	INCH																					
		4 PLACES	± ---	± ---																					
3 PLACES	± ---	± ---																							
2 PLACES	± 0.20	± ---																							
1 PLACE	± ---	± ---																							
ANGULAR ± 3 °																									
		DRAWN BY: VSKHOANG CHECKED BY: PTL IM APPROVED BY: SKTOH DATE: 2004/02/10 DATE: 2004/02/10 DATE: 2004/02/10	TITLE	DDR DIMM, 1.27MM PITCH 184 CKTS, LIGHTPIPE VERTICAL PRESS-FIT																					
		DRAFT WHERE APPLICABLE MUST REMAIN WITHIN DIMENSIONS	SEE TABLE	MOLEX INCORPORATED DOCUMENT NO. SD-87693-202 SHEET NO. 4 OF 5																					

	10	9	8	7	6	5	4	3	2	1					
F		PLATING OPTION	PART NUMBER	TAIL LENGTH P±0.25	RECOMMENDED PCB THICKNESS	VOLTAGE KEY	DESCRIPTION	D1	D2	FINISHES CONTACT AREA	HOUSING COLOUR	LATCH			
E		TIN/LEAD	87693-4201	4.30	4.57	2.5 VOLT	LEFT	2.175	6.62	SELECTIVE GOLD 15u"/0.38uM MIN. GOLD OVER 50u"/1.27uM MIN. NICKEL	BLACK	BLACK			
	87693-4301		3.32	3.60											
	87693-4202		4.30	4.57	1.8 VOLT	CENTER	3.175	7.62							
	87693-4302		3.32	3.60											
	87693-4211		4.30	4.57	2.5 VOLT	LEFT	2.175	6.62	SELECTIVE GOLD 30u"/0.76uM MIN. GOLD OVER 50u"/1.27uM MIN. NICKEL	BLACK	CLEAR				
	87693-4311		3.32	3.60											
	87693-4212		4.30	4.57	1.8 VOLT	CENTER	3.175	7.62							
	87693-4312		3.32	3.60											
	87693-5201		4.30	4.57	2.5 VOLT	LEFT	2.175	6.62	SELECTIVE GOLD 15u"/0.38uM MIN. GOLD OVER 50u"/1.27uM MIN. NICKEL	BLACK	CLEAR				
	87693-5301		3.32	3.60											
	87693-5202		4.30	4.57	1.8 VOLT	CENTER	3.175	7.62							
	87693-5302		3.32	3.60											
	87693-5211		4.30	4.57	2.5 VOLT	LEFT	2.175	6.62	SELECTIVE GOLD 30u"/0.76uM MIN. GOLD OVER 50u"/1.27uM MIN. NICKEL	BLACK	CLEAR				
	87693-5311		3.32	3.60											
	87693-5212	4.30	4.57	1.8 VOLT	CENTER	3.175	7.62								
	87693-5312	3.32	3.60												
D		TIN	87693-6311	3.32	3.60	2.5 VOLT	LEFT	2.175	6.62	NATURAL					
			87693-0201	4.30	4.57	2.5 VOLT	LEFT	2.175	6.62	SELECTIVE GOLD 15u"/0.38uM MIN. GOLD OVER 50u"/1.27uM MIN. NICKEL	BLACK	BLACK			
			87693-0301	3.32	3.60										
			87693-0202	4.30	4.57	1.8 VOLT	CENTER	3.175	7.62						
			87693-0302	3.32	3.60										
			87693-0311	3.32	3.60	2.5 VOLT	LEFT	2.175	6.62	SELECTIVE GOLD 30u"/0.76uM MIN. GOLD OVER 50u"/1.27uM MIN. NICKEL	BLACK				
			87693-1201	4.30	4.57	2.5 VOLT	LEFT	2.175	6.62	SELECTIVE GOLD 15u"/0.38uM MIN. GOLD OVER 50u"/1.27uM MIN. NICKEL	BLACK	CLEAR			
			87693-1301	3.32	3.60										
			87693-1202	4.30	4.57	1.8 VOLT	CENTER	3.175	7.62						
			87693-1302	3.32	3.60										
			87693-1211	4.30	4.57	2.5 VOLT	LEFT	2.175	6.62	SELECTIVE GOLD 30u"/0.76uM MIN. GOLD OVER 50u"/1.27uM MIN. NICKEL	BLACK	CLEAR			
			87693-1311	3.32	3.60										
			87693-2311	3.32	3.60	2.5 VOLT	LEFT	2.175	6.62				NATURAL		

A	VOID P/N EC NO: S2007-0215 DRWNS:KANG CHKD:M LONG APPR:SKTOH	2006/09/11 2006/09/13 2006/09/18	REV	DESCRIPTION	QUALITY SYMBOLS ▽=0 ◻=0	GENERAL TOLERANCES (UNLESS SPECIFIED)		DIMENSION STYLE MM ONLY		SCALE	DESIGN UNITS	THIRD ANGLE PROJECTION					
										NTS	METRIC						
										DRAWN BY VSKHOANG		DATE 2004/02/10		TITLE DDR DIMM, 1.27MM PITCH 184 CKTS, LIGHTPIPE VERTICAL PRESS-FIT			
										CHECKED BY PTL IM		DATE 2004/02/10		MOLEX INCORPORATED			
				APPROVED BY SKTOH		DATE 2004/02/10		DOCUMENT NO. SD-87693-202									
				MATERIAL NO.		SHEET NO. 5 OF 5											
DRAFT WHERE APPLICABLE MUST REMAIN WITHIN DIMENSIONS						SEE TABLE											
THIS DRAWING CONTAINS INFORMATION THAT IS PROPRIETARY TO MOLEX INCORPORATED AND SHOULD NOT BE USED WITHOUT WRITTEN PERMISSION																	