



Chipsmall Limited consists of a professional team with an average of over 10 year of expertise in the distribution of electronic components. Based in Hongkong, we have already established firm and mutual-benefit business relationships with customers from,Europe,America and south Asia,supplying obsolete and hard-to-find components to meet their specific needs.

With the principle of "Quality Parts,Customers Priority,Honest Operation,and Considerate Service",our business mainly focus on the distribution of electronic components. Line cards we deal with include Microchip,ALPS,ROHM,Xilinx,Pulse,ON,Everlight and Freescale. Main products comprise IC,Modules,Potentiometer,IC Socket,Relay,Connector.Our parts cover such applications as commercial,industrial, and automotives areas.

We are looking forward to setting up business relationship with you and hope to provide you with the best service and solution. Let us make a better world for our industry!



Contact us

Tel: +86-755-8981 8866 Fax: +86-755-8427 6832

Email & Skype: info@chipsmall.com Web: www.chipsmall.com

Address: A1208, Overseas Decoration Building, #122 Zhenhua RD., Futian, Shenzhen, China



10 9 8 7 6 5 4 3 2 1

F

E

D

C

B

A

F

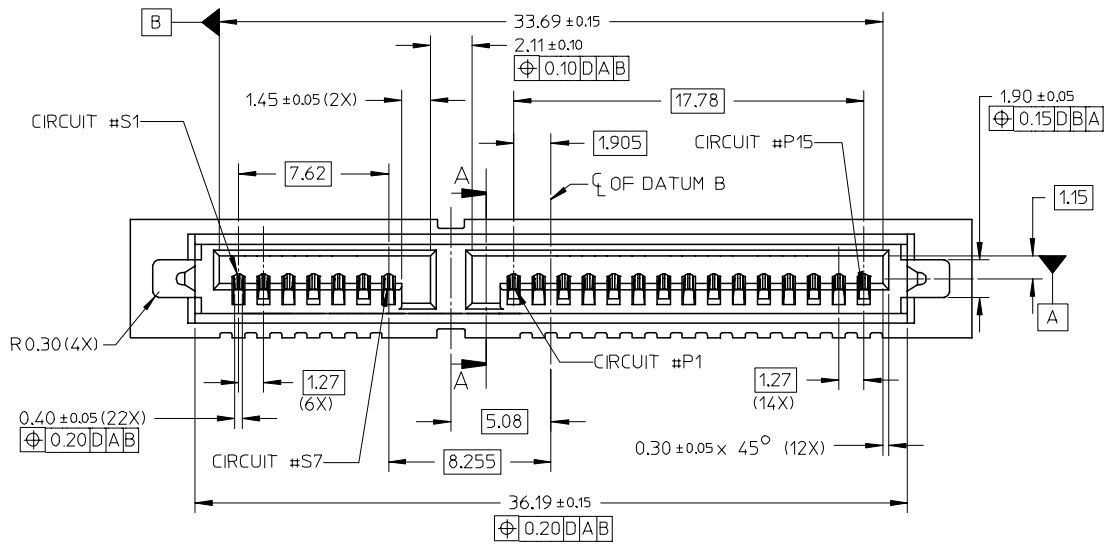
E

D

C

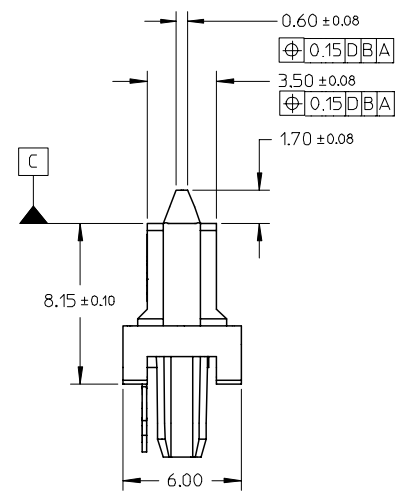
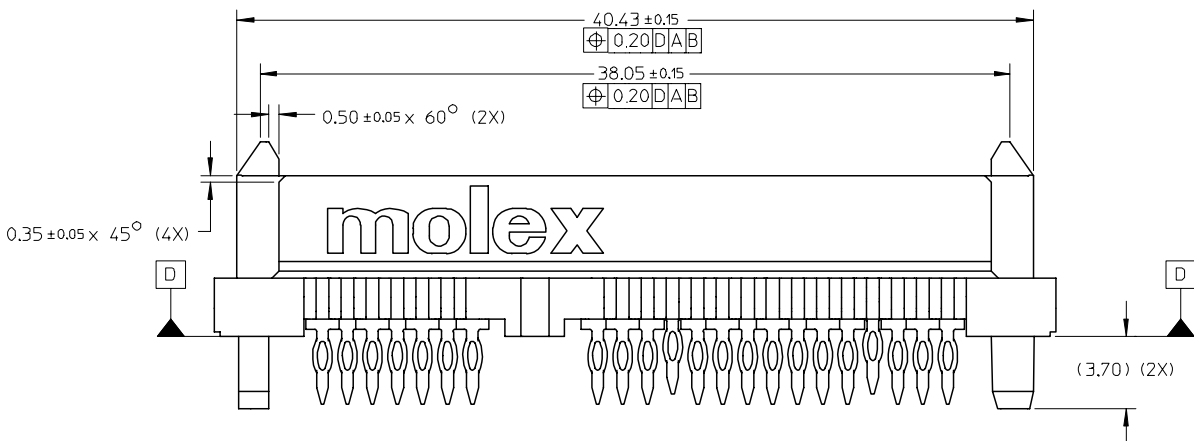
B

A



NOTES:

1. MATERIAL: LCP, GLASS FILLED, UL 94V-0, COLOR: BLACK
TERMINAL: COPPER ALLOY
2. PLATING
CONTACT: 0.76µm MIN, SELECTIVE GOLD OVER 1.27µm MIN, NICKEL
UNDERPLATE SOLDERTAIL: 2.54µm MIN, TIN OVER 1.27µm MIN, NICKEL
UNDERPLATE
3. MOLEX LOGO LOCATED APPROXIMATELY AS SHOWN
4. MAXIMUM WARPAGE OF 0.13 mm OVER THE LENGTH OF THE CONNECTOR
IN ANY DIRECTION BEFORE AND AFTER EXPOSURE TO MAX. 260°C FOR
10 SECONDS
5. PCB THICKNESS RANGE FROM 1.50 mm TO 2.00 mm
6. KEEP OUT ZONE ON BOTH SIDE OF PCB FOR CONNECTOR
INSERTION AND EXTRACTION TOOL
7. PRODUCT SPECIFICATION: PS-87701-033 APPLIES
8. PACKAGING
30 CONNECTORS PER TRAY



DIM UPDATE EC NO: S2008-0237 DRWN:KLLIM CHKD:CGOH APPR:KCLING	2007/09/20	DESCRIPTION
	2007/09/20	
	2007/09/20	
	2007/09/20	
C2	REV	

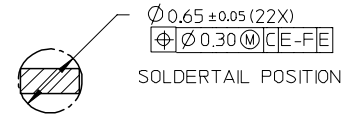
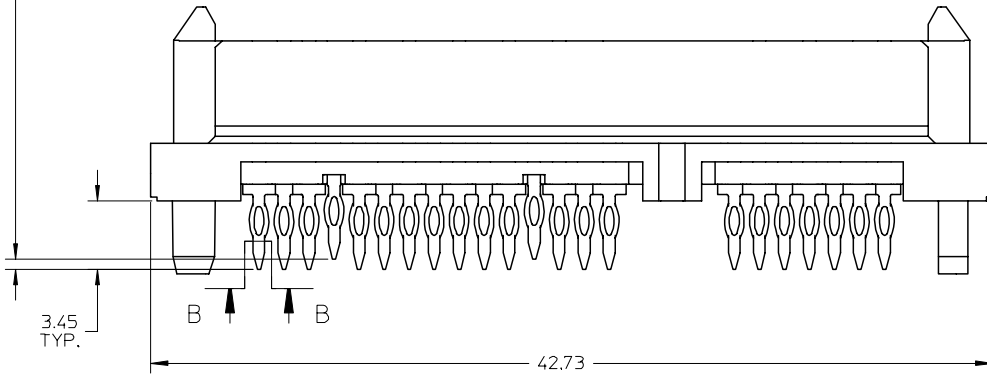
QUALITY SYMBOLS	▽=0
	∇=0

GENERAL TOLERANCES (UNLESS SPECIFIED)	
	mm INCH
4 PLACES	± --- ± ---
3 PLACES	± --- ± ---
2 PLACES	± 0.20 ± ---
1 PLACE	± --- ± ---
ANGULAR ± 3 °	
DRAFT WHERE APPLICABLE MUST REMAIN WITHIN DIMENSIONS	

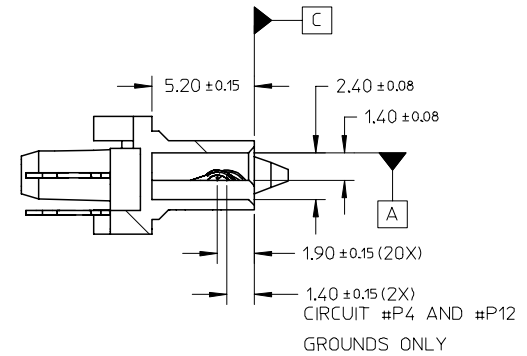
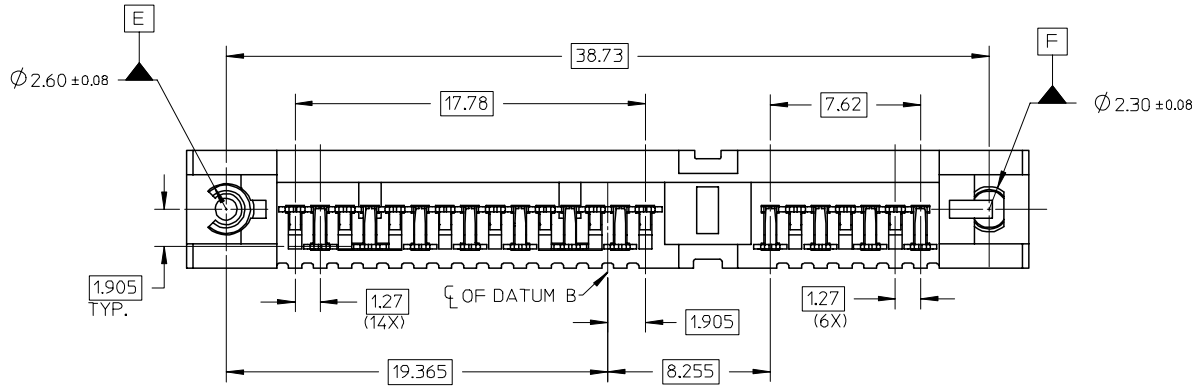
DIMENSION STYLE		SCALE	DESIGN UNITS	THIRD ANGLE PROJECTION
MM ONLY		NTS	METRIC	
DRAWN BY	DATE	TITLE		
DKOH	2002/07/01	SERIAL ATA BACKPLANE PRESS-FIT STD HEIGHT RECEPTACLE MOLEX INCORPORATED		
CHECKED BY	DATE			
KCLING	2002/07/05			
APPROVED BY	DATE	MOLEX INCORPORATED		
SKTOH	2002/07/05	MOLEX INCORPORATED		
MATERIAL NO.		DOCUMENT NO.	SHEET NO.	
87701-1001		SD-87701-013	1 OF 4	
SIZE A3 THIS DRAWING CONTAINS INFORMATION THAT IS PROPRIETARY TO MOLEX INCORPORATED AND SHOULD NOT BE USED WITHOUT WRITTEN PERMISSION				

9 8 7 6 5 4 3 2 1

CIRCUIT #P4 AND #P12 ONLY
0.50



SECTION B-B

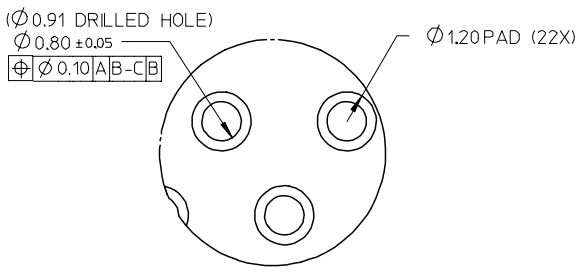
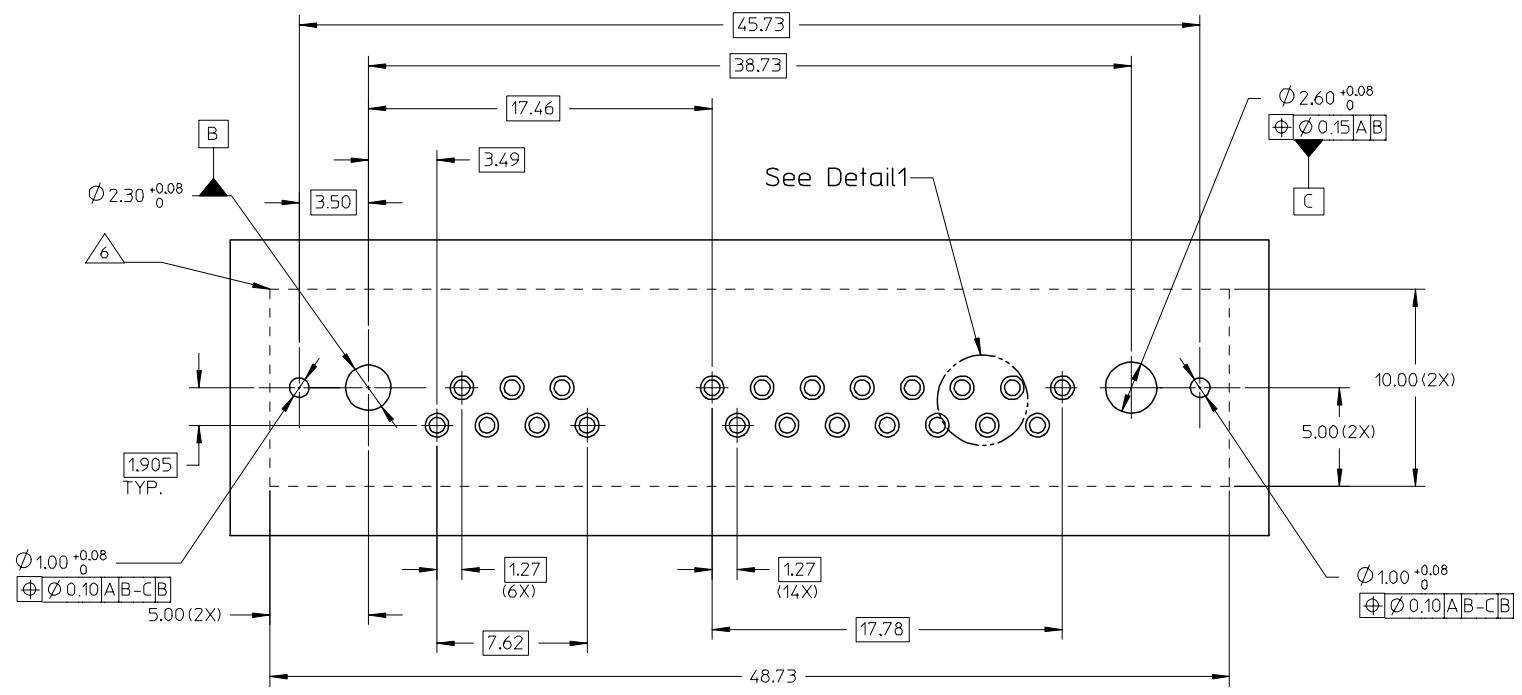


SECTION A-A

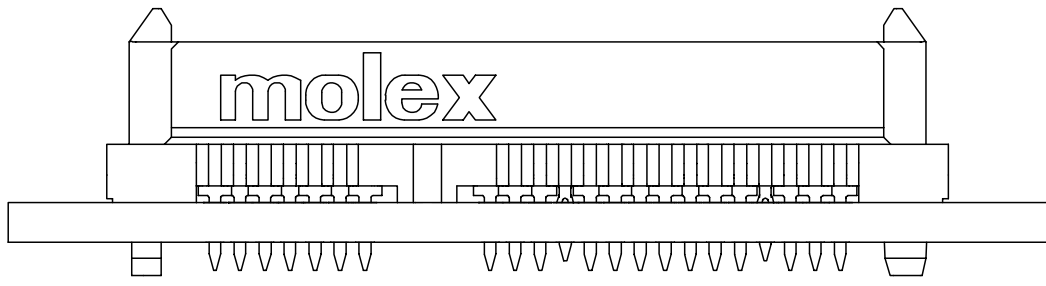
DIM UPDATE EC NO: S2008-0237 DRWN:KLLM CHKD:CGOH APPR:KCLING 2007/09/20 2007/09/20 2007/09/20	QUALITY SYMBOLS ▽=0 ▽=0	GENERAL TOLERANCES (UNLESS SPECIFIED)		DIMENSION STYLE MM ONLY	SCALE NTS	DESIGN UNITS METRIC	THIRD ANGLE PROJECTION				
		4 PLACES ± --- ± ---	3 PLACES ± --- ± ---	2 PLACES ± 0.20 ± ---	1 PLACE ± --- ± ---	ANGULAR ± 3 °	DRAWN BY DKOH	DATE 2002/07/01	SERIAL ATA BACKPLANE PRESS-FIT STD HEIGHT RECEPTACLE MOLEX INCORPORATED		
		DRAFT WHERE APPLICABLE MUST REMAIN WITHIN DIMENSIONS					CHECKED BY KCLING	DATE 2002/07/05			
							APPROVED BY SKTOH	DATE 2002/07/05			
					MATERIAL NO. 87701-1001	DOCUMENT NO. SD-87701-013	SHEET NO. 2 OF 4				

10 9 8 7 6 5 4 3 2 1

F
E
D
C
B
A



Detail1
SCALE 10:1



RECOMMENDED PCB LAYOUT

DIM UPDATE EC NO: S2008-0237 DRWN:KLLM CHKD:CGOH APPR:KCLING 2007/09/20 2007/09/20 2007/09/20	QUALITY SYMBOLS ▽=0 ▽=0	GENERAL TOLERANCES (UNLESS SPECIFIED)		DIMENSION STYLE MM ONLY		SCALE NTS	DESIGN UNITS METRIC	THIRD ANGLE PROJECTION			
		4 PLACES ± --- ± ---	3 PLACES ± --- ± ---	2 PLACES ± 0.20 ± ---	1 PLACE ± --- ± ---	ANGULAR ± 3 °	DRAWN BY DKOH	DATE 2002/07/01	TITLE SERIAL ATA BACKPLANE PRESS-FIT STD HEIGHT RECEPTACLE		
							APPROVED BY SKTOH	DATE 2002/07/05	MOLEX INCORPORATED		
							MATERIAL NO. 87701-1001	DOCUMENT NO. SD-87701-013	SHEET NO. 3 OF 4		
DRAFT WHERE APPLICABLE MUST REMAIN WITHIN DIMENSIONS		SIZE A3		THIS DRAWING CONTAINS INFORMATION THAT IS PROPRIETARY TO MOLEX INCORPORATED AND SHOULD NOT BE USED WITHOUT WRITTEN PERMISSION							

9 8 7 6 5 4 3 2 1

10 9 8 7 6 5 4 3 2 1

F

F

E

E

D

D

C

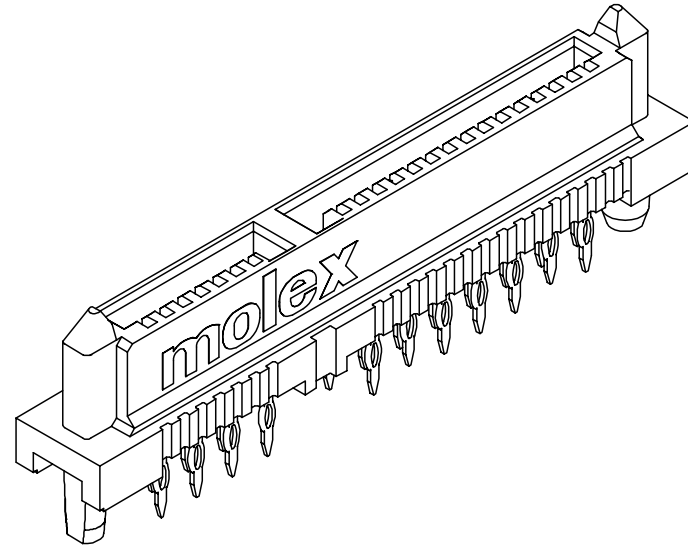
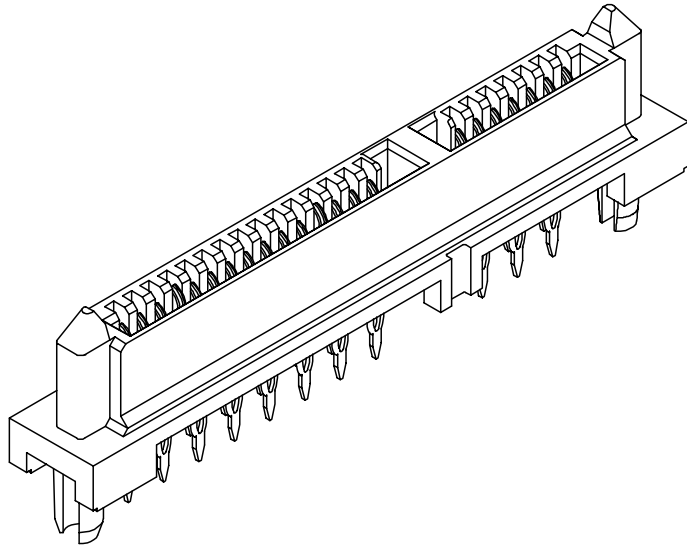
C

B

B

A

A



DIM UPDATE EC NO: S2008-0237 DRWN:KLLIM CHKD:CGOH APPR:KCLING	2007/09/20 2007/09/20 2007/09/20	DESCRIPTION REV	QUALITY SYMBOLS ▽=0 ◻=0	GENERAL TOLERANCES (UNLESS SPECIFIED)		DIMENSION STYLE MM ONLY		SCALE NTS	DESIGN UNITS METRIC	THIRD ANGLE PROJECTION			
				4 PLACES ± --- ± --- 3 PLACES ± --- ± --- 2 PLACES ± 0.20 ± --- 1 PLACE ± --- ± ---	mm INCH	DRAWN BY DKOH	DATE 2002/07/01	SERIAL ATA BACKPLANE PRESS-FIT STD HEIGHT RECEPTACLE					
				ANGULAR ± 3 °	CHECKED BY KCLING	DATE 2002/07/05							
				DRAFT WHERE APPLICABLE MUST REMAIN WITHIN DIMENSIONS	APPROVED BY SKTOH	DATE 2002/07/05	MATERIAL NO. 87701-1001		DOCUMENT NO. SD-87701-013		SHEET NO. 4 OF 4		
C2				THIS DRAWING CONTAINS INFORMATION THAT IS PROPRIETARY TO MOLEX INCORPORATED AND SHOULD NOT BE USED WITHOUT WRITTEN PERMISSION		MOLEX INCORPORATED							

9 8 7 6 5 4 3 2 1