



Chipsmall Limited consists of a professional team with an average of over 10 year of expertise in the distribution of electronic components. Based in Hongkong, we have already established firm and mutual-benefit business relationships with customers from,Europe,America and south Asia,supplying obsolete and hard-to-find components to meet their specific needs.

With the principle of "Quality Parts,Customers Priority,Honest Operation,and Considerate Service",our business mainly focus on the distribution of electronic components. Line cards we deal with include Microchip,ALPS,ROHM,Xilinx,Pulse,ON,Everlight and Freescale. Main products comprise IC,Modules,Potentiometer,IC Socket,Relay,Connector.Our parts cover such applications as commercial,industrial, and automotives areas.

We are looking forward to setting up business relationship with you and hope to provide you with the best service and solution. Let us make a better world for our industry!



Contact us

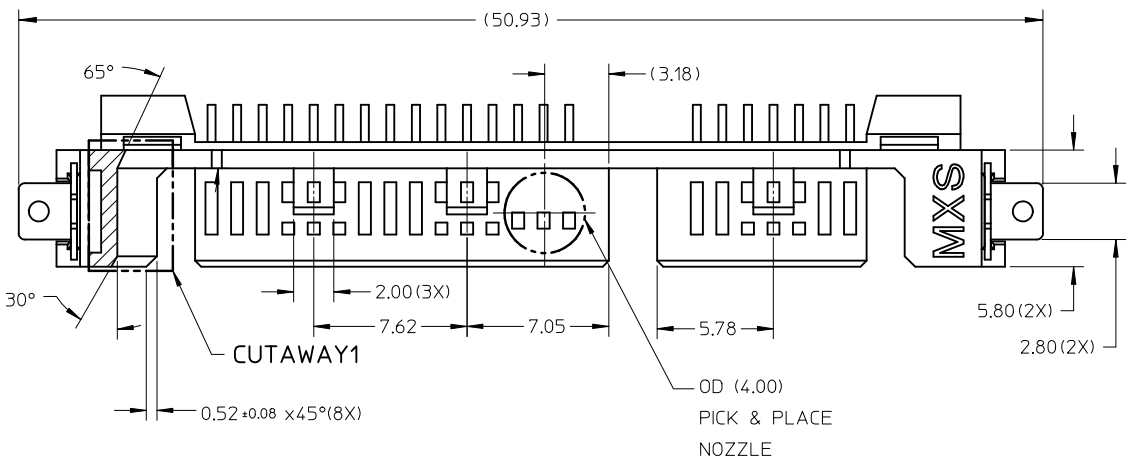
Tel: +86-755-8981 8866 Fax: +86-755-8427 6832

Email & Skype: info@chipsmall.com Web: www.chipsmall.com

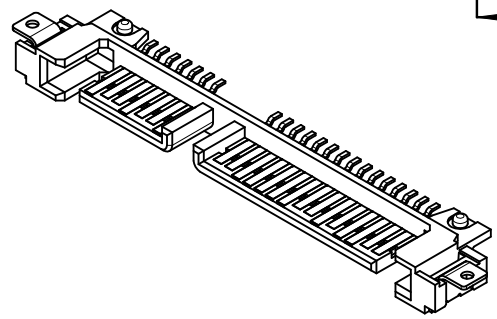
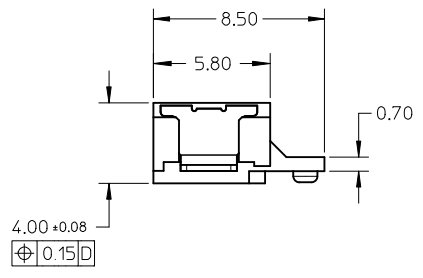
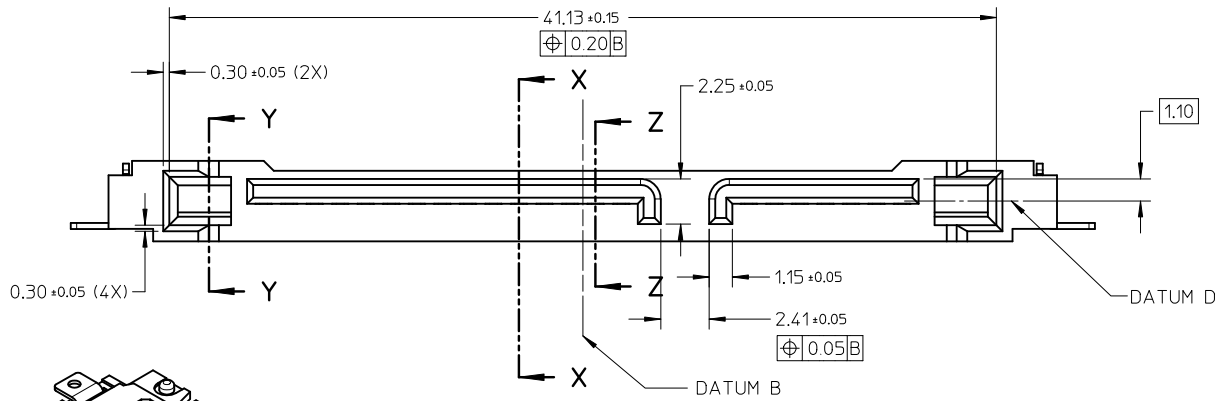
Address: A1208, Overseas Decoration Building, #122 Zhenhua RD., Futian, Shenzhen, China



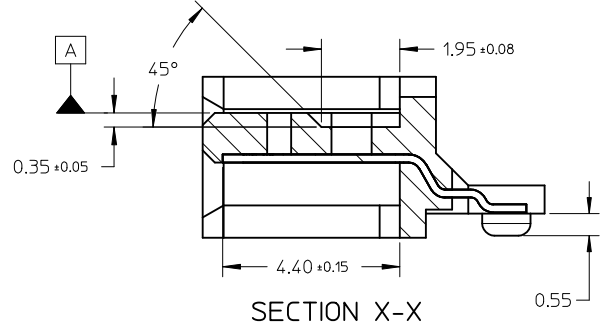
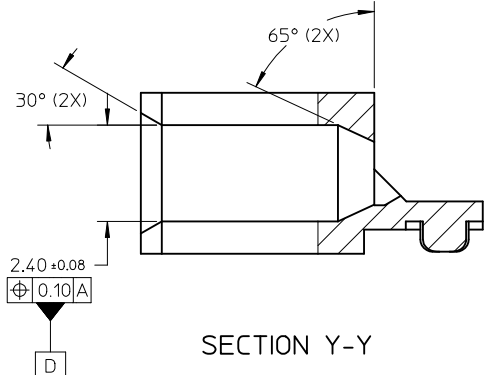
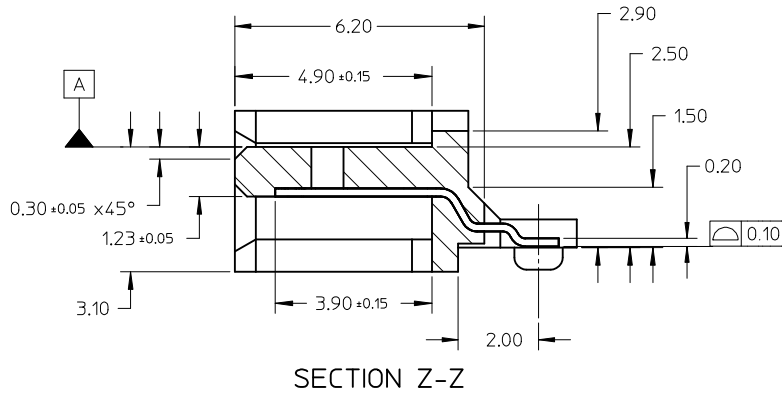
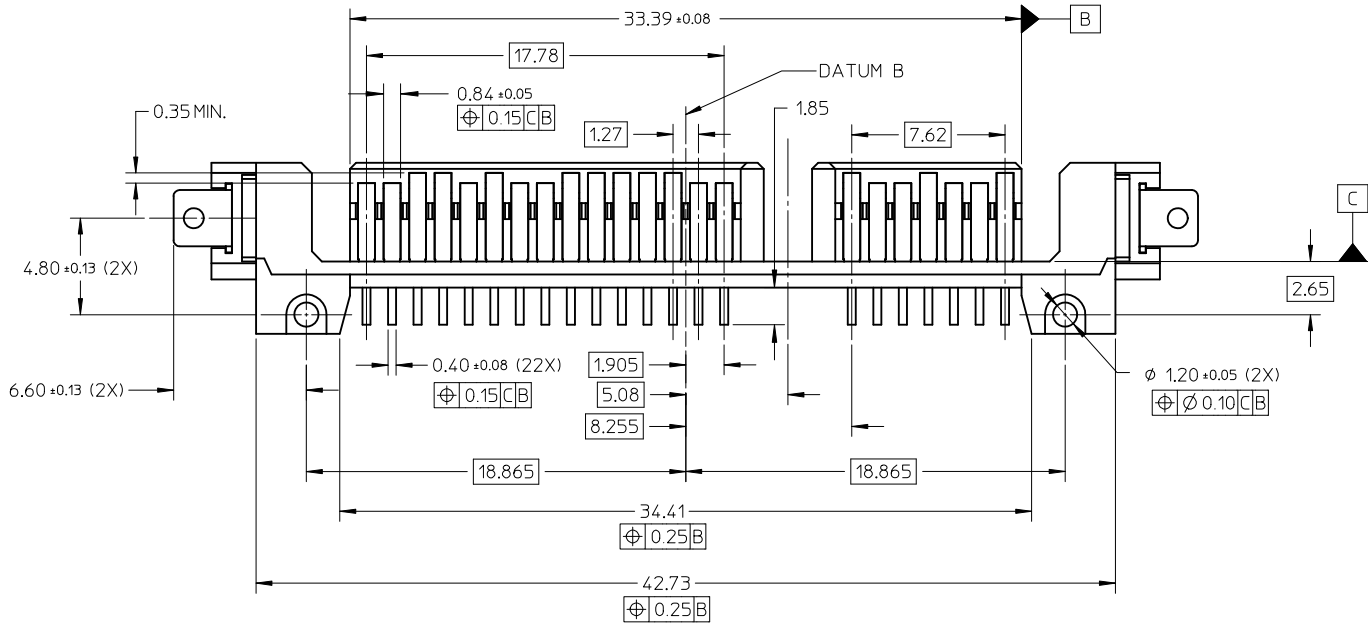
PART NUMBER	PACKAGING
87703-0001	TRAY
87703-0067	TAPE & REEL TYPE A
87703-0068	TAPE & REEL TYPE B



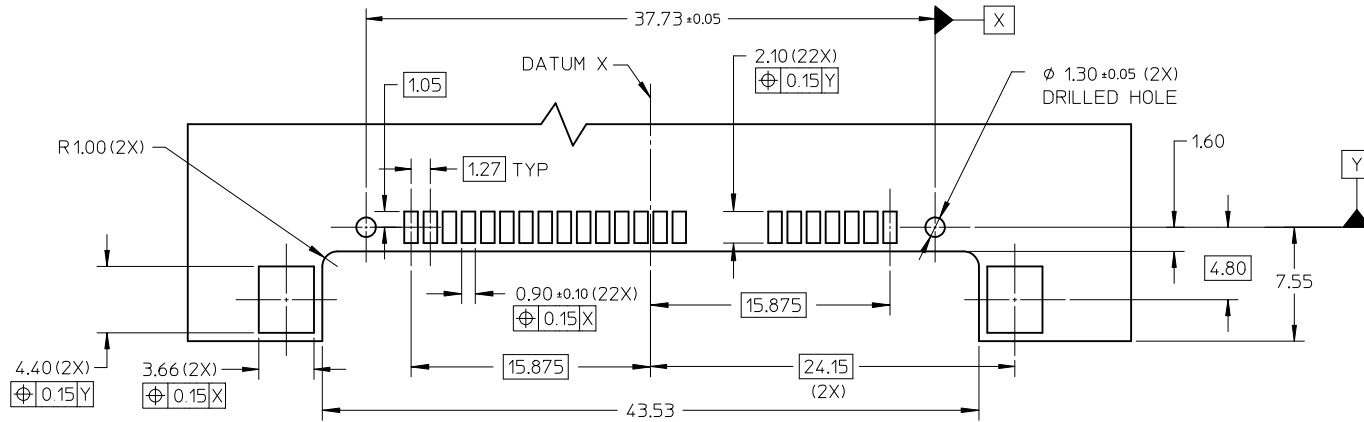
- NOTES:
- MATERIAL:
HOUSING: LIQUID CRYSTALLINE POLYMER (LCP), GLASS FILLED
UL 94V-0, COLOR: BLACK
CONTACTS & SMT NAILS: COPPER ALLOY
 - PLATING FINISH ON CONTACTS AND SOLDERTAILS:
0.127µm MIN. GOLD FLASH OVER 1.27µm MIN. NICKEL UNDERPLATE
 - PLATING FINISH ON SMT NAILS:
3.18µm MIN. TIN OVER 1.27µm MIN. NICKEL UNDERPLATE
 - PRODUCT SPECIFICATION: PS-87703-017 APPLIES
 - PRODUCT CONFORMS TO SERIAL ATA SPECIFICATION.
 - PACKAGING: SEE TABLE
 - PRODUCT IS COMPLIANT TO RoHS DIRECTIVE WITH THE FOLLOWING BANNED SUBSTANCES - LEAD, MERCURY, CADMIUM, HEXAVALENT CHROMIUM, POLYBROMINATED BIPHENYLS AND POLYBROMINATED DIPHENYL ETHERS.
 - MATES WITH: SATA RECEPTACLE SERIES: 87678, 87701, 87713, 87779, 87780, 87781
SFF-8482 RECEPTACLE SERIES: 87824, 87839, 87863, 87970



ADD P/N: 87703-0068 EC NO: S2012-0093 DRWN:SKANG 2011/08/02 CH'KD:ATSEE 2011/09/07 APPR:MLONG 2011/09/07	QUALITY SYMBOLS $F_A=0$ $F_C=0$ $F_B=0$	GENERAL TOLERANCES (UNLESS SPECIFIED)		DIMENSION STYLE MM ONLY		SCALE NTS	DESIGN UNITS METRIC	THIRD ANGLE PROJECTION			
		4 PLACES ± --- ± ---	3 PLACES ± --- ± ---	2 PLACES ± 0.20 ± ---	1 PLACE ± --- ± ---	DRAWN BY RSHAN	DATE 2002/11/18	TITLE SERIAL ATA PLUG 2.5 INCH HDD			
		ANGULAR ± 3 °				APPROVED BY SKTOH	DATE 2002/12/18	MOLEX INCORPORATED			
		DRAFT WHERE APPLICABLE MUST REMAIN WITHIN DIMENSIONS				MATERIAL NO. SEE TABLE	DOCUMENT NO. SD-87703-002	SHEET NO. 1 OF 5			



ADD P/N: 87703-0068 EC NO: S2012-0093 DRWN: SKANG 2011/08/02 CHKD: ATSEE 2011/09/07 APPR: WLONG 2011/09/07 REV B7	QUALITY SYMBOLS	GENERAL TOLERANCES (UNLESS SPECIFIED)	DIMENSION STYLE	SCALE	DESIGN UNITS	THIRD ANGLE PROJECTION															
	$\nabla = 0$ $\nabla = 0$ $\nabla = 0$	<table border="1"> <thead> <tr> <th></th> <th>mm</th> <th>INCH</th> </tr> </thead> <tbody> <tr> <td>4 PLACES</td> <td>± ---</td> <td>± ---</td> </tr> <tr> <td>3 PLACES</td> <td>± ---</td> <td>± ---</td> </tr> <tr> <td>2 PLACES</td> <td>± 0.20</td> <td>± ---</td> </tr> <tr> <td>1 PLACE</td> <td>± ---</td> <td>± ---</td> </tr> </tbody> </table>		mm	INCH	4 PLACES	± ---	± ---	3 PLACES	± ---	± ---	2 PLACES	± 0.20	± ---	1 PLACE	± ---	± ---	MM ONLY	NTS	METRIC	
		mm	INCH																		
	4 PLACES	± ---	± ---																		
3 PLACES	± ---	± ---																			
2 PLACES	± 0.20	± ---																			
1 PLACE	± ---	± ---																			
DRAFT WHERE APPLICABLE MUST REMAIN WITHIN DIMENSIONS	<table border="1"> <thead> <tr> <th>DRAWN BY</th> <th>DATE</th> <th>TITLE</th> </tr> </thead> <tbody> <tr> <td>RSHAN</td> <td>2002/11/18</td> <td rowspan="2">SERIAL ATA PLUG 2.5 INCH HDD</td> </tr> <tr> <td>CHECKED BY</td> <td>DATE</td> </tr> <tr> <td>KCL ING</td> <td>2002/12/18</td> <td rowspan="2">MOLEX INCORPORATED</td> </tr> <tr> <td>APPROVED BY</td> <td>DATE</td> </tr> <tr> <td>SKTOH</td> <td>2002/12/18</td> <td>SD-87703-002</td> </tr> </tbody> </table>	DRAWN BY	DATE	TITLE	RSHAN	2002/11/18	SERIAL ATA PLUG 2.5 INCH HDD	CHECKED BY	DATE	KCL ING	2002/12/18	MOLEX INCORPORATED	APPROVED BY	DATE	SKTOH	2002/12/18	SD-87703-002	SEE TABLE THIS DRAWING CONTAINS INFORMATION THAT IS PROPRIETARY TO MOLEX INCORPORATED AND SHOULD NOT BE USED WITHOUT WRITTEN PERMISSION	MATERIAL NO. DOCUMENT NO.	SHEET NO. 2 OF 5	
DRAWN BY	DATE	TITLE																			
RSHAN	2002/11/18	SERIAL ATA PLUG 2.5 INCH HDD																			
CHECKED BY	DATE																				
KCL ING	2002/12/18	MOLEX INCORPORATED																			
APPROVED BY	DATE																				
SKTOH	2002/12/18	SD-87703-002																			



RECOMMENDED PCB LAYOUT
PCB THICKNESS : 0.50±0.08

ADD P/N: 87703-0068 EC NO: S2012-0093 DRWN:SKANG 2011/08/02 CHKD:ATSEE 2011/09/07 APPR:MLONG 2011/09/07	DESCRIPTION REV	QUALITY SYMBOLS	GENERAL TOLERANCES (UNLESS SPECIFIED)	DIMENSION STYLE	SCALE	DESIGN UNITS	THIRD ANGLE PROJECTION
		$F_A = 0$ $F_C = 0$ $F_P = 0$	mm INCH 4 PLACES ± --- ± --- 3 PLACES ± --- ± --- 2 PLACES ± 0.20 ± --- 1 PLACE ± --- ± --- ANGULAR ± 3 °	MM ONLY	NTS	METRIC	
			DRAFT WHERE APPLICABLE MUST REMAIN WITHIN DIMENSIONS	DRAWN BY: RSHAN DATE: 2002/11/18 CHECKED BY: KCLING DATE: 2002/12/18 APPROVED BY: SKTOH DATE: 2002/12/18	TITLE: SERIAL ATA PLUG 2.5 INCH HDD		
		B7		MATERIAL NO. SEE TABLE SIZE: A3 THIS DRAWING CONTAINS INFORMATION THAT IS PROPRIETARY TO MOLEX INCORPORATED AND SHOULD NOT BE USED WITHOUT WRITTEN PERMISSION	MOLEX MOLEX INCORPORATED DOCUMENT NO. SD-87703-002 SHEET NO. 3 OF 5		

10 9 8 7 6 5 4 3 2 1

F

E

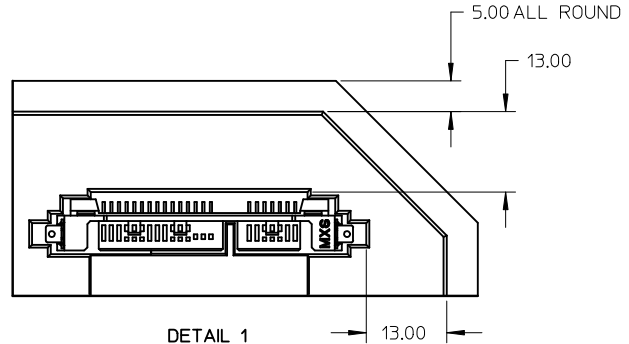
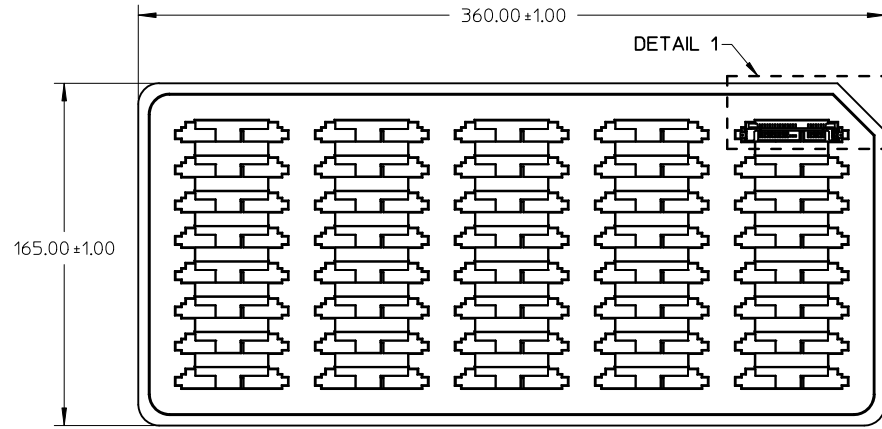
D

C

B

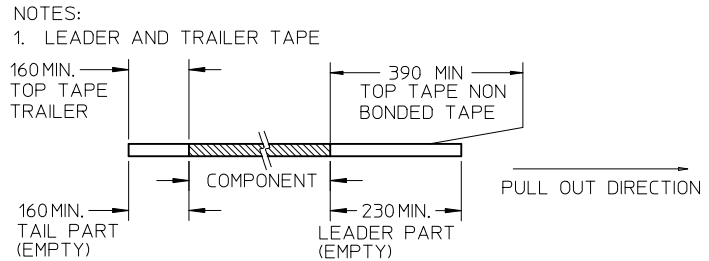
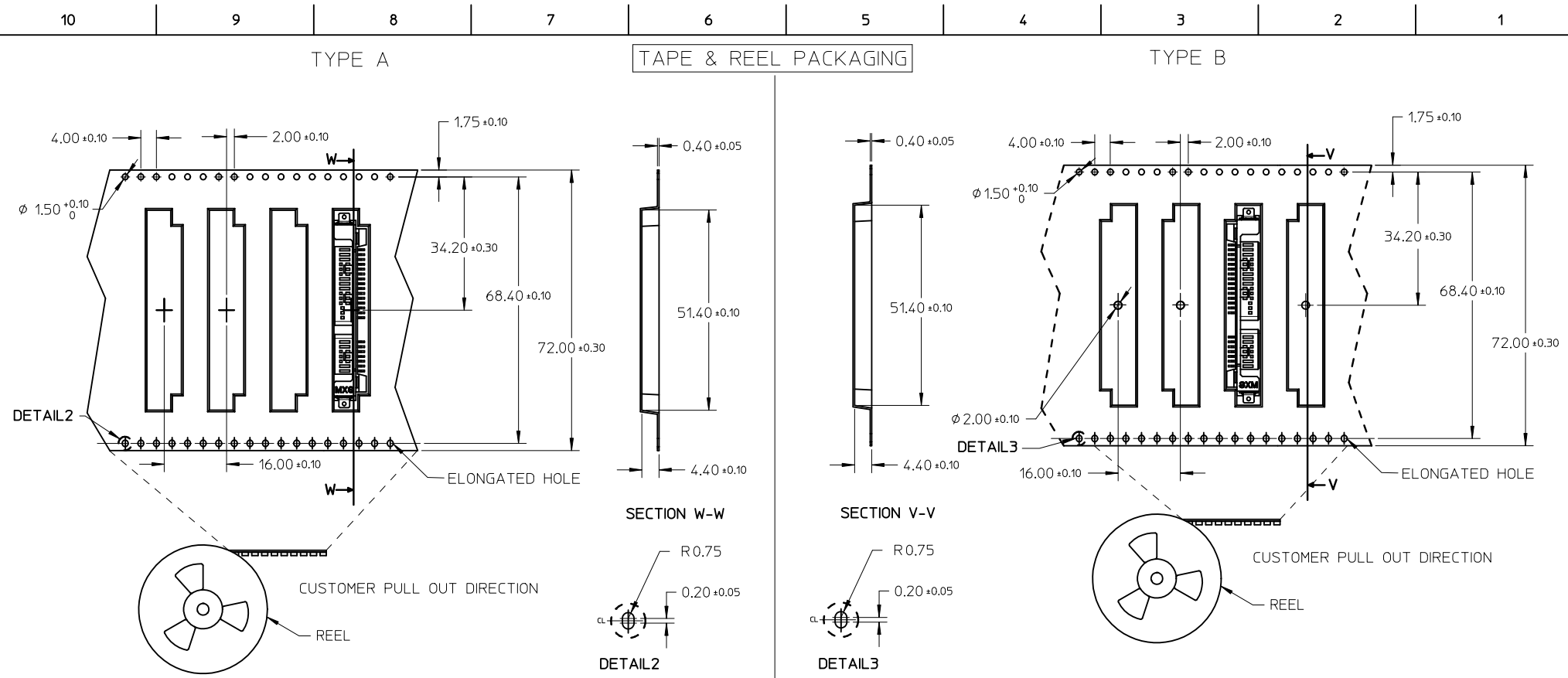
A

TRAY PACKAGING



ADD P/N: 87703-0068 EC NO: S2012-0093 DRWN:SKANG 2011/08/02 CHKD:ATSEE 2011/09/07 APPR:MLONG 2011/09/07	REV DESCRIPTION B7	QUALITY SYMBOLS	GENERAL TOLERANCES (UNLESS SPECIFIED)		DIMENSION STYLE MM ONLY		SCALE NTS	DESIGN UNITS METRIC	THIRD ANGLE PROJECTION		
		$F_A=0$ $F_G=0$ $F_P=0$	mm INCH 4 PLACES ± --- ± --- 3 PLACES ± --- ± --- 2 PLACES ± 0.20 ± --- 1 PLACE ± --- ± --- ANGULAR ± 3 °	DRAWN BY RSHAN CHECKED BY KCLING APPROVED BY SKTOH MATERIAL NO.	DATE 2002/11/18 DATE 2002/12/18 DATE 2002/12/18	TITLE		SERIAL ATA PLUG 2.5 INCH HDD	MOLEX INCORPORATED	DOCUMENT NO. SD-87703-002	SHEET NO. 4 OF 5
		DRAFT WHERE APPLICABLE MUST REMAIN WITHIN DIMENSIONS		SEE TABLE		THIS DRAWING CONTAINS INFORMATION THAT IS PROPRIETARY TO MOLEX INCORPORATED AND SHOULD NOT BE USED WITHOUT WRITTEN PERMISSION					
						SIZE A3					

9 8 7 6 5 4 3 2 1



2. PEELING OFF FORCE OF THE TOP TAPE: 20 - 60gf. (PEELING DIRECTION AS SHOWN IN FOLLOWING FIGURE)
-
3. TAPE AND REEL SPECIFICATION IS AS PER EIA-481.
4. TAPE AND REEL QUANTITY : 850 PCS/ REEL.
5. THE TAPE IS TREATED FOR ANTI-STATIC.

ADD P/N: 87703-0068 EC NO: S2012-0093 DRWN:SKANG 2011/08/02 CHKD:ATSEE 2011/09/07 APPR:MLONG 2011/09/07	DESCRIPTION	QUALITY SYMBOLS	GENERAL TOLERANCES (UNLESS SPECIFIED)		DIMENSION STYLE		SCALE	DESIGN UNITS	THIRD ANGLE PROJECTION	
		$\nabla_A = 0$ $\nabla_G = 0$ $\nabla_P = 0$	mm	INCH	MM ONLY		NTS	METRIC		
REV B7	REV	DRAWN BY		DATE		TITLE				
		RSHAN		2002/11/18		SERIAL ATA PLUG 2.5 INCH HDD				
		CHECKED BY		DATE		MATERIAL NO. SKTOH 2002/12/18				
		KCL ING		2002/12/18						
		APPROVED BY		DATE		MOLEX INCORPORATED				
		SKTOH		2002/12/18						
		MATERIAL NO.		DOCUMENT NO.		SEE TABLE				
		SD-87703-002		SD-87703-002						
		SIZE		THIS DRAWING CONTAINS INFORMATION THAT IS PROPRIETARY TO MOLEX INCORPORATED AND SHOULD NOT BE USED WITHOUT WRITTEN PERMISSION		SHEET NO. 5 OF 5				
		A3								