



Chipsmall Limited consists of a professional team with an average of over 10 year of expertise in the distribution of electronic components. Based in Hongkong, we have already established firm and mutual-benefit business relationships with customers from,Europe,America and south Asia,supplying obsolete and hard-to-find components to meet their specific needs.

With the principle of “Quality Parts,Customers Priority,Honest Operation,and Considerate Service”,our business mainly focus on the distribution of electronic components. Line cards we deal with include Microchip,ALPS,ROHM,Xilinx,Pulse,ON,Everlight and Freescale. Main products comprise IC,Modules,Potentiometer,IC Socket,Relay,Connector.Our parts cover such applications as commercial,industrial, and automotives areas.

We are looking forward to setting up business relationship with you and hope to provide you with the best service and solution. Let us make a better world for our industry!



## Contact us

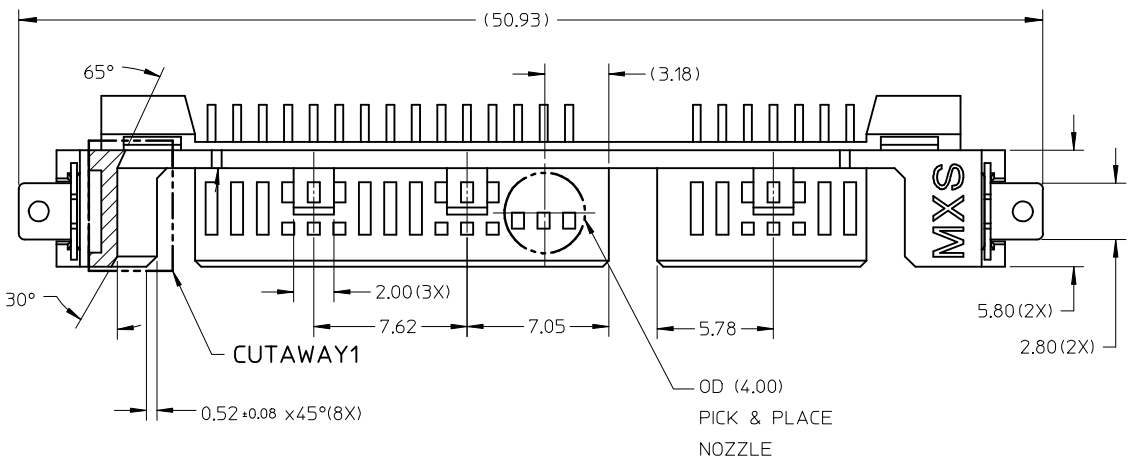
Tel: +86-755-8981 8866 Fax: +86-755-8427 6832

Email & Skype: info@chipsmall.com Web: www.chipsmall.com

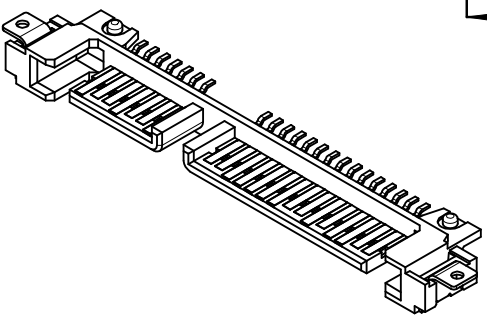
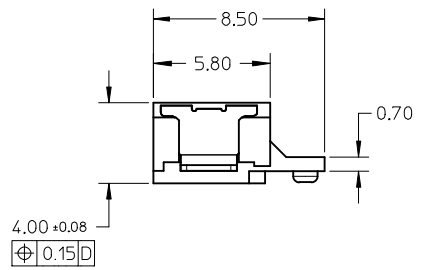
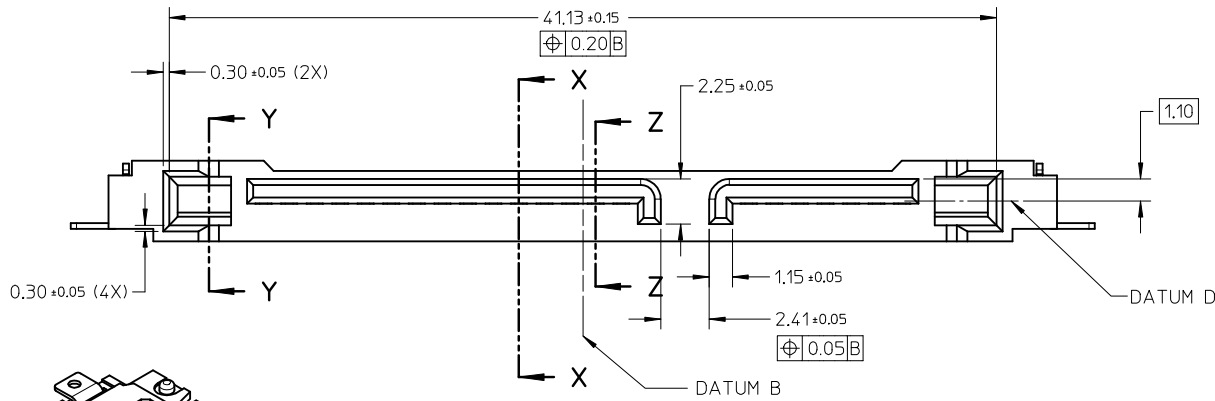
Address: A1208, Overseas Decoration Building, #122 Zhenhua RD., Futian, Shenzhen, China



PART NUMBER	PACKAGING
87703-0001	TRAY
87703-0068	TAPE & REEL



- NOTES:
- MATERIAL:  
HOUSING: LIQUID CRYSTALLINE POLYMER (LCP), GLASS FILLED  
UL 94V-0, COLOR: BLACK  
CONTACTS & SMT NAILS: COPPER ALLOY
  - PLATING FINISH ON CONTACTS AND SOLDERTAILS:  
0.127µm MIN. GOLD FLASH OVER 1.27µm MIN. NICKEL UNDERPLATE
  - PLATING FINISH ON SMT NAILS:  
3.18µm MIN. TIN OVER 1.27µm MIN. NICKEL UNDERPLATE
  - PRODUCT SPECIFICATION: PS-87703-017 APPLIES
  - PRODUCT CONFORMS TO SERIAL ATA SPECIFICATION.
  - PACKAGING: SEE TABLE
  - PRODUCT IS COMPLIANT TO RoHS DIRECTIVE WITH THE FOLLOWING BANNED SUBSTANCES - LEAD, MERCURY, CADMIUM, HEXAVALENT CHROMIUM, POLYBROMINATED BIPHENYLS AND POLYBROMINATED DIPHENYL ETHERS.
  - MATES WITH: SATA RECEPTACLE SERIES: 87678, 87701, 87713, 87779, 87780, 87781  
SFF-8482 RECEPTACLE SERIES: 87824, 87839, 87863, 87970



OBS P/N: 87703-0067	DRW:SKANG	2014/02/07
EC NO: S2014-0743	CHKD:MLONG	2014/03/31
APP:MLONG	2014/03/31	

QUALITY SYMBOLS	GENERAL TOLERANCES (UNLESS SPECIFIED)
F <sub>A</sub> =0	mm INCH
F <sub>C</sub> =0	4 PLACES ± --- ± ---
F <sub>E</sub> =0	3 PLACES ± --- ± ---
	2 PLACES ± 0.20 ± ---
	1 PLACE ± --- ± ---
	ANGULAR ± 3 °
	DRAFT WHERE APPLICABLE MUST REMAIN WITHIN DIMENSIONS

DIMENSION STYLE	SCALE	DESIGN UNITS	THIRD ANGLE PROJECTION
MM ONLY	NTS	METRIC	
DRAWN BY	DATE	TITLE	
RSHAN	2002/11/18	SERIAL ATA PLUG	
CHECKED BY	DATE	2.5 INCH HDD	
KCL ING	2002/12/18		
APPROVED BY	DATE		
SKTOH	2002/12/18		
MATERIAL NO.	DOCUMENT NO.		
SEE TABLE			

MOLEX INCORPORATED	
SD-87703-002	SHEET NO. 1 OF 5
THIS DRAWING CONTAINS INFORMATION THAT IS PROPRIETARY TO MOLEX INCORPORATED AND SHOULD NOT BE USED WITHOUT WRITTEN PERMISSION	

10 9 8 7 6 5 4 3 2 1

F

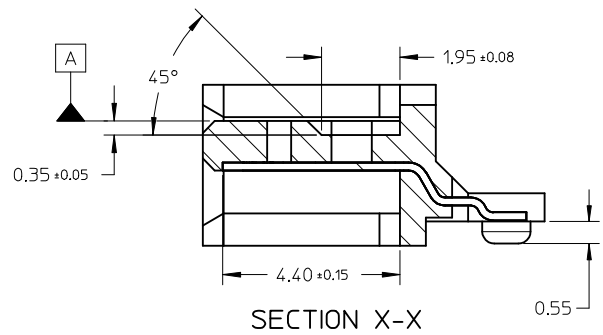
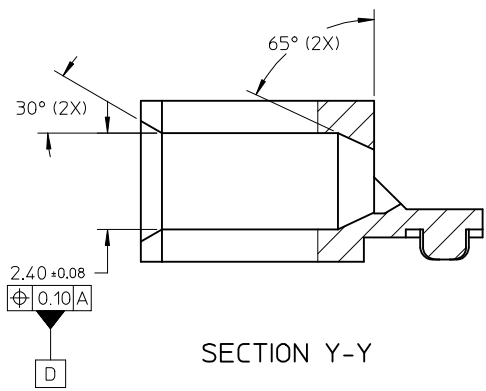
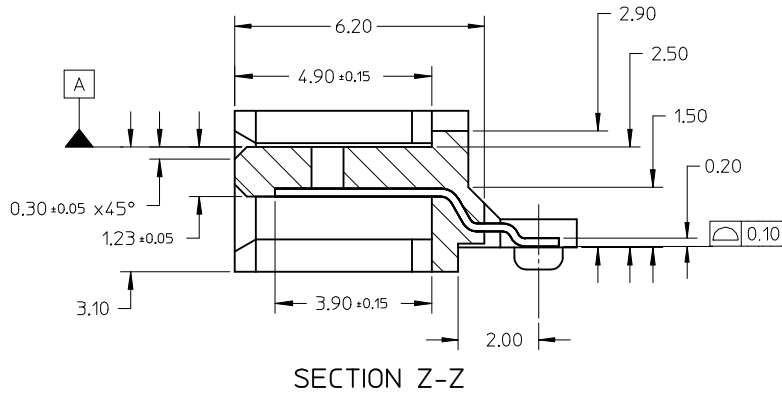
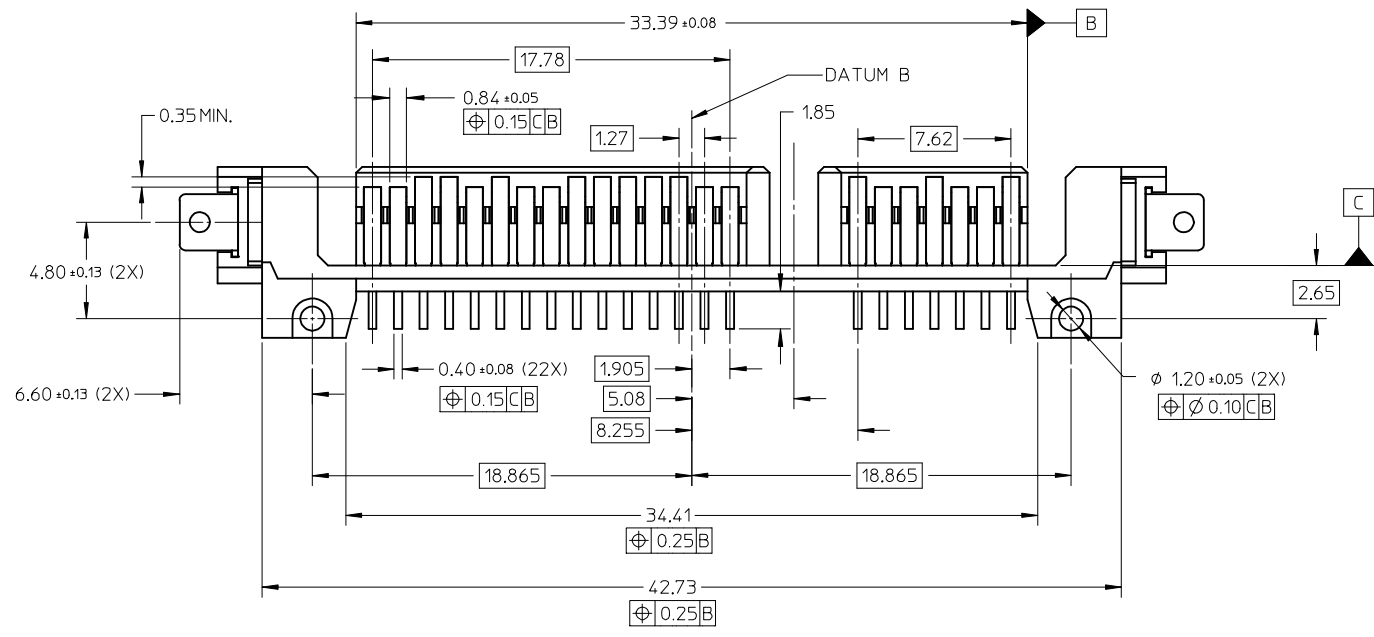
E

D

C

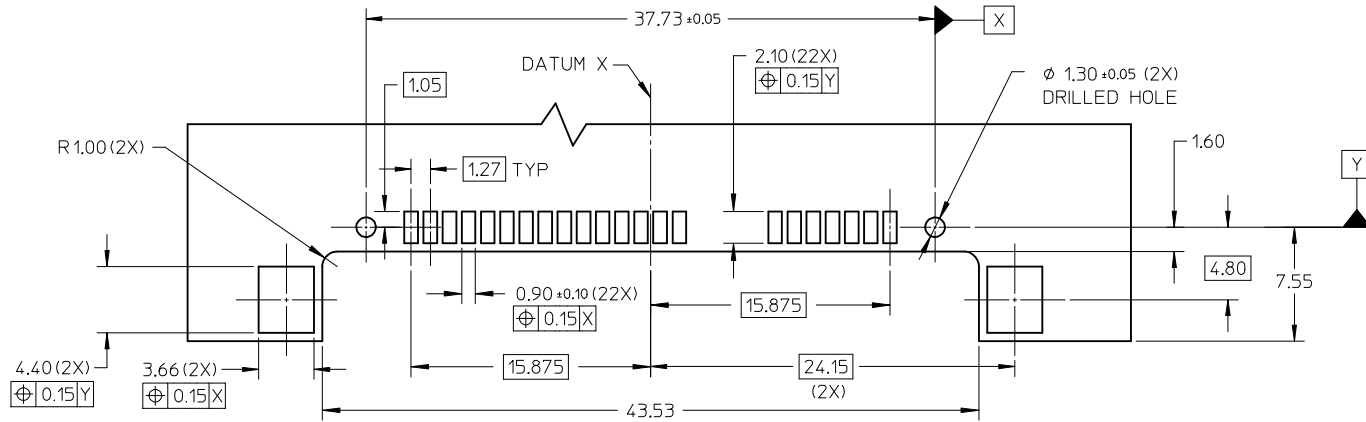
B

A



OBS P/N: 87703-0067 EC NO: SZ014-0743 DRWN: SKANG 2014/02/07 CHKD: MLONG 2014/03/31 APPR: MLONG 2014/03/31	QUALITY SYMBOLS	GENERAL TOLERANCES (UNLESS SPECIFIED)		DIMENSION STYLE		SCALE	DESIGN UNITS	THIRD ANGLE PROJECTION	
	▽=0	mm	INCH	MM ONLY		NTS	METRIC		
	▽=0	4 PLACES ± --- ± ---		DRAWN BY	DATE	TITLE			
	▽=0	3 PLACES ± --- ± ---		RSHAN	2002/11/18	SERIAL ATA PLUG 2.5 INCH HDD			
	2 PLACES ± 0.20 ± ---		CHECKED BY	DATE	MOLEX INCORPORATED				
	1 PLACE ± --- ± ---		KCLING	2002/12/18	SD-87703-002				
	ANGULAR ± 3°	DRAFT WHERE APPLICABLE MUST REMAIN WITHIN DIMENSIONS		APPROVED BY	DATE	DOCUMENT NO.		SHEET NO.	
				SKTOH	2002/12/18	SEE TABLE		2 OF 5	
				MATERIAL NO.		THIS DRAWING CONTAINS INFORMATION THAT IS PROPRIETARY TO MOLEX INCORPORATED AND SHOULD NOT BE USED WITHOUT WRITTEN PERMISSION			

9 8 7 6 5 4 3 2 1

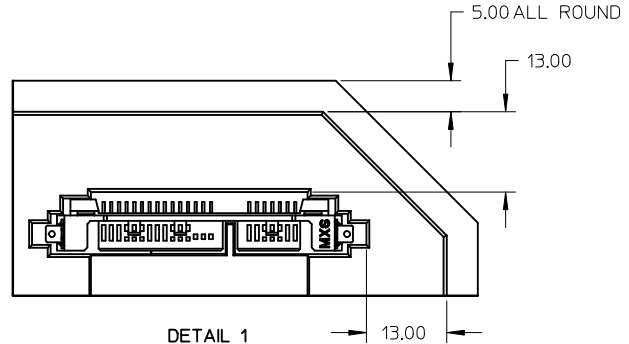
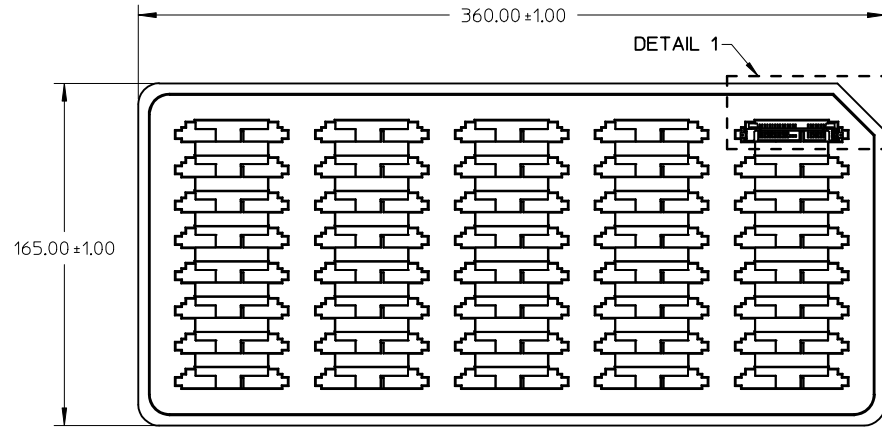


RECOMMENDED PCB LAYOUT  
PCB THICKNESS : 0.50±0.08

OBS P/N: 87703-0067 EC NO: S2014-0743 DRWN:SKANG 2014/02/07 CHKD:MLONG 2014/03/31 APPR:MLONG 2014/03/31	QUALITY SYMBOLS F <sub>A</sub> =0 F <sub>C</sub> =0 F <sub>P</sub> =0	GENERAL TOLERANCES (UNLESS SPECIFIED)		DIMENSION STYLE	SCALE	DESIGN UNITS	THIRD ANGLE PROJECTION	
		mm	INCH	MM ONLY	NTS	METRIC		
		4 PLACES ± --- ± ---	3 PLACES ± --- ± ---	DRAWN BY	DATE	TITLE		
		2 PLACES ± 0.20 ± ---	1 PLACE ± --- ± ---	RSHAN	2002/11/18	SERIAL ATA PLUG 2.5 INCH HDD		
		ANGULAR ± 3 °		CHECKED BY	DATE	MOLEX INCORPORATED		
		DRAFT WHERE APPLICABLE MUST REMAIN WITHIN DIMENSIONS		APPROVED BY	DATE	DOCUMENT NO.	SHEET NO.	
				SKTOH	2002/12/18	SD-87703-002	3 OF 5	
				MATERIAL NO.	THIS DRAWING CONTAINS INFORMATION THAT IS PROPRIETARY TO MOLEX INCORPORATED AND SHOULD NOT BE USED WITHOUT WRITTEN PERMISSION			
				SEE TABLE				

10 9 8 7 6 5 4 3 2 1

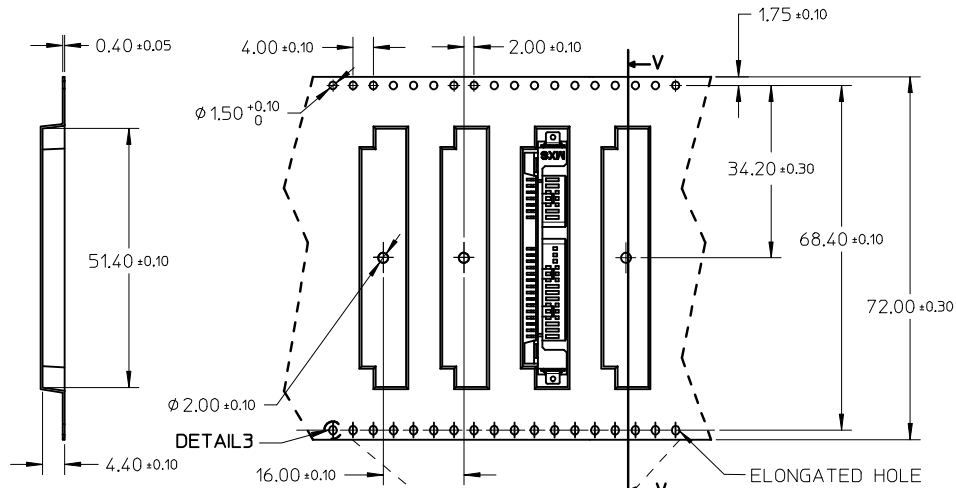
TRAY PACKAGING



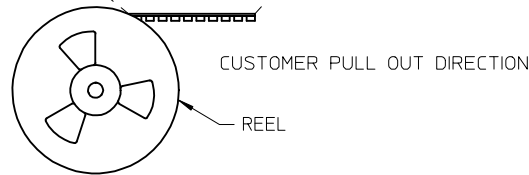
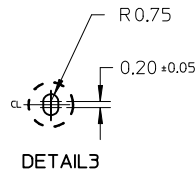
OBS P/N: 87703-0067 EC NO: S2014-0743 DRWN:SKANG 2014/02/07 CHKD:MLONG 2014/03/31 APPR:MLONG 2014/03/31	REV C	DESCRIPTION	QUALITY SYMBOLS	GENERAL TOLERANCES (UNLESS SPECIFIED)	DIMENSION STYLE		SCALE	DESIGN UNITS	THIRD ANGLE PROJECTION	
			$F_A=0$		mm	INCH	NTS	METRIC		
			$F_G=0$		4 PLACES ± ---	± ---	DRAWN BY	DATE	TITLE	
			$F_B=0$		3 PLACES ± ---	± ---	RSHAN	2002/11/18	SERIAL ATA PLUG 2.5 INCH HDD	
			2 PLACES ± 0.20	± ---	CHECKED BY	DATE	MOLEX INCORPORATED			
			1 PLACE ± ---	± ---	KCLING	2002/12/18				
			ANGULAR ± 3 °	DRAFT WHERE APPLICABLE MUST REMAIN WITHIN DIMENSIONS		APPROVED BY	DATE	DOCUMENT NO.		SHEET NO.
				SEE TABLE		SKTOH	2002/12/18	SD-87703-002		4 OF 5
						MATERIAL NO.	THIS DRAWING CONTAINS INFORMATION THAT IS PROPRIETARY TO MOLEX INCORPORATED AND SHOULD NOT BE USED WITHOUT WRITTEN PERMISSION			
						SIZE	A3			

9 8 7 6 5 4 3 2 1

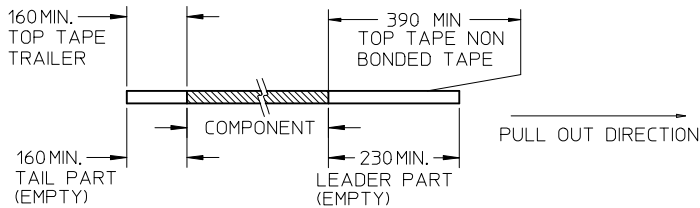
TAPE & REEL PACKAGING



SECTION V-V



NOTES:  
1. LEADER AND TRAILER TAPE



2. PEELING OFF FORCE OF THE TOP TAPE: 20 - 60gf.  
(PEELING DIRECTION AS SHOWN IN FOLLOWING FIGURE)



- 3. TAPE AND REEL SPECIFICATION IS AS PER EIA-481.
- 4. TAPE AND REEL QUANTITY : 850 PCS/ REEL.
- 5. THE TAPE IS TREATED FOR ANTI-STATIC.

OBS P/N: 87703-0067 EC NO: S2014-0743 DRW:SKANG 2014/02/07 CHKD:MLONG 2014/03/31 APPR:MLONG 2014/03/31	DESCRIPTION REV	QUALITY SYMBOLS	GENERAL TOLERANCES (UNLESS SPECIFIED)	DIMENSION STYLE	SCALE	DESIGN UNITS	THIRD ANGLE PROJECTION
		$F_A=0$ $F_G=0$ $F_P=0$	mm    INCH 4 PLACES ± --- ± --- 3 PLACES ± --- ± --- 2 PLACES ± 0.20 ± --- 1 PLACE ± --- ± --- ANGULAR ± 3 °	MM ONLY	NTS	METRIC	
			DRAWN BY: RSHAN    DATE: 2002/11/18 CHECKED BY: KCL ING    DATE: 2002/12/18 APPROVED BY: SKTOH    DATE: 2002/12/18	TITLE	SERIAL ATA PLUG 2.5 INCH HDD		
			DRAFT WHERE APPLICABLE MUST REMAIN WITHIN DIMENSIONS	MATERIAL NO.    SHEET NO. SEE TABLE    5 OF 5	MOLEX INCORPORATED DOCUMENT NO. SD-87703-002		