



Chipsmall Limited consists of a professional team with an average of over 10 year of expertise in the distribution of electronic components. Based in Hongkong, we have already established firm and mutual-benefit business relationships with customers from,Europe,America and south Asia,supplying obsolete and hard-to-find components to meet their specific needs.

With the principle of “Quality Parts,Customers Priority,Honest Operation,and Considerate Service”,our business mainly focus on the distribution of electronic components. Line cards we deal with include Microchip,ALPS,ROHM,Xilinx,Pulse,ON,Everlight and Freescale. Main products comprise IC,Modules,Potentiometer,IC Socket,Relay,Connector.Our parts cover such applications as commercial,industrial, and automotives areas.

We are looking forward to setting up business relationship with you and hope to provide you with the best service and solution. Let us make a better world for our industry!



## Contact us

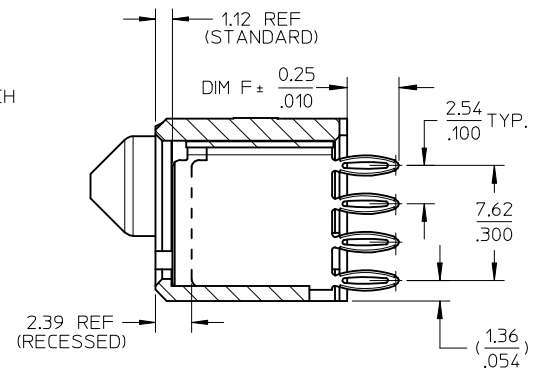
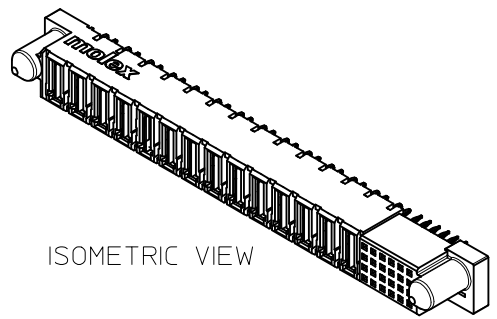
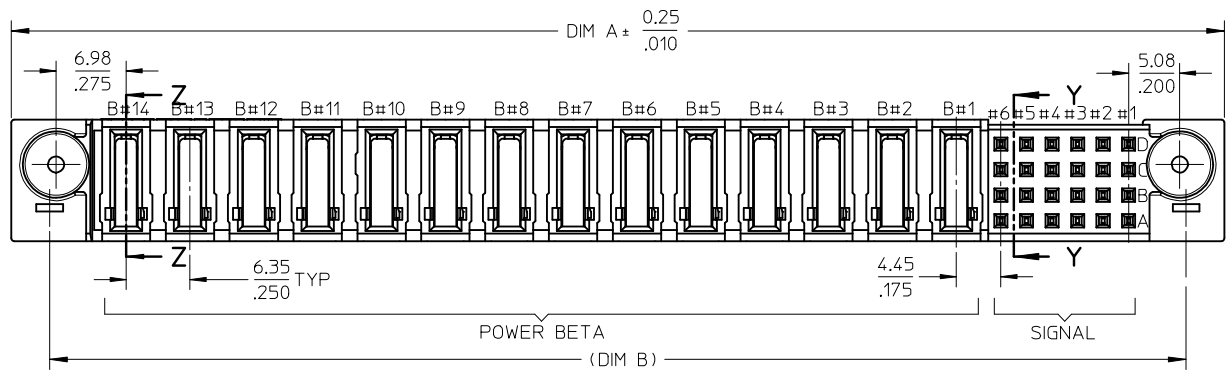
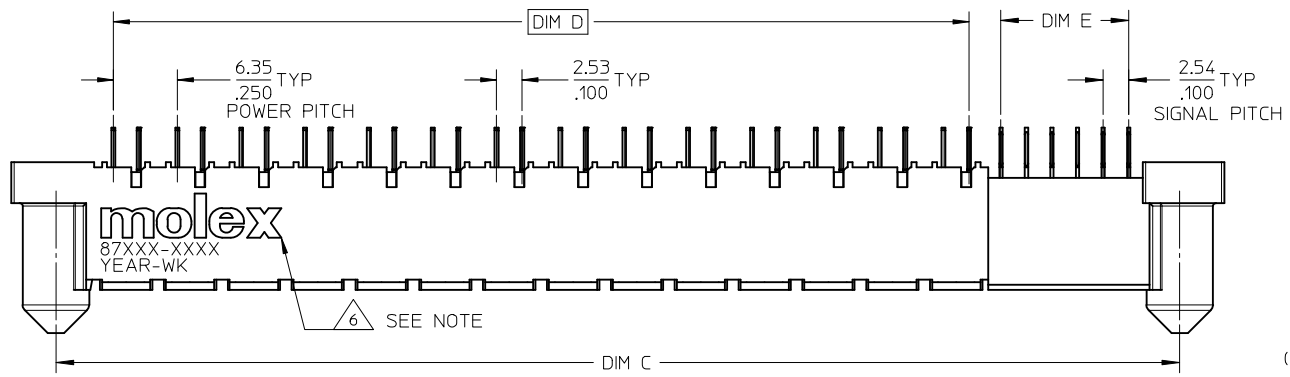
Tel: +86-755-8981 8866 Fax: +86-755-8427 6832

Email & Skype: info@chipsmall.com Web: www.chipsmall.com

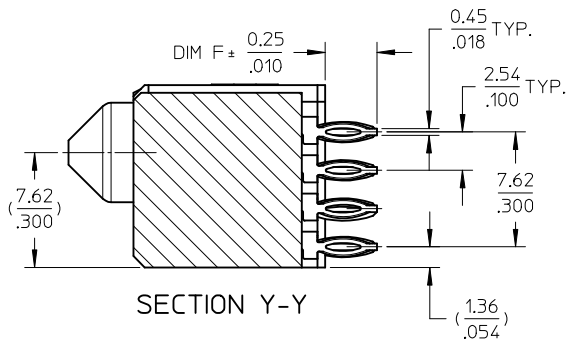
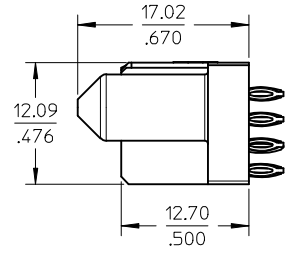
Address: A1208, Overseas Decoration Building, #122 Zhenhua RD., Futian, Shenzhen, China



10 9 8 7 6 5 4 3 2 1



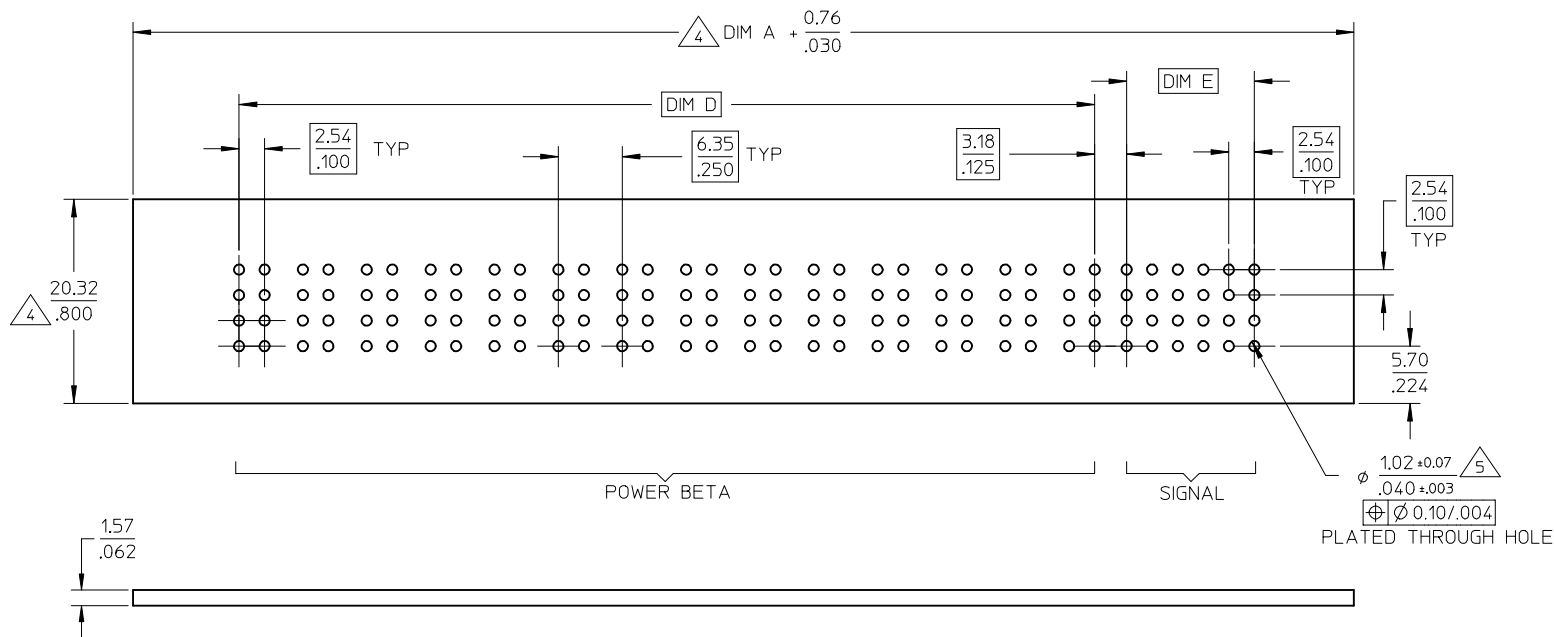
SECTION Z-Z



SECTION Y-Y

REVISED IEC NO: S2014-0060 DRW:SKANG 2013/07/16 CH:KD:MLONG 2013/09/06 APPR:MLONG 2013/09/09	QUALITY SYMBOLS $F_A=0$ $F_G=0$ $F_B=0$	GENERAL TOLERANCES (UNLESS SPECIFIED)		DIMENSION STYLE MM/IN		SCALE NTS	DESIGN UNITS METRIC	THIRD ANGLE PROJECTION
			mm	INCH	DRAWN BY	DATE	TITLE	
		4 PLACES	± ---	± ---	KMGOH	2002/10/10	POWER CONN. RECEPTACLE	
		3 PLACES	± ---	± .010	CHECKED BY	DATE	S-P(B) CONFIGURATION	
			2 PLACES	± 0.25	± ---	PTLIM	2002/11/25	VERTICAL PRESS-FIT
			1 PLACE	± ---	± ---	APPROVED BY	DATE	<b>molex</b>
			0 PLACE	± ---	± ---	SKTOH	2002/11/26	
			ANGULAR ± 3 °		MATERIAL NO.	DOCUMENT NO.	SHEET NO.	
D1			DRAFT WHERE APPLICABLE MUST REMAIN WITHIN DIMENSIONS		SIZE A3	SEE TABLE		SD-87710-011 1 OF 3
THIS DRAWING CONTAINS INFORMATION THAT IS PROPRIETARY TO MOLEX INCORPORATED AND SHOULD NOT BE USED WITHOUT WRITTEN PERMISSION								

9 8 7 6 5 4 3 2 1



RECOMMENDED PCB LAYOUT

CONNECTOR - NOTES

1. MATERIALS :
  - HOUSING - LCP, GLASS FILLED, UL94-0,COLOR:BLACK.
  - SIGNAL PIN - COPPER ALLOY
  - POWER PIN - COPPER ALLOY
2. FINISH :
  - SIGNAL & POWER CONTACTS
  - 0.76 MICROMETER MINIMUM GOLD (Au) AT CONTACT AREA AND
  - 2.54 MICROMETER MINIMUM TIN (Sn) AT SOLDERTAIL AREA
  - OVER 1.27um MIN. NICKEL (Ni) UNDERPLATE.
3. PRODUCT SPECIFICATION: PS-87633-006.
4. COMPONENT STAY AWAY ZONE FROM CONNECTOR.
5. PCB NOTE FOR DIAMETER 1.02/0.40 PLATED HOLE.
  - DRILLED HOLE SIZE IS 1.151/0.453
  - PLATE WITH 0.007/0.003 MINIMUM TIN OVER 0.03/0.001 TO 0.08/0.003 COPPER PLATING TO ACHIEVE 1.02±0.08/0.40±.003 HOLE. SEE SHEET 2 FOR RECOMMENDED PCB LAYOUT.
6. MANUFACTURER LOGO,PART NUMBER AND YEAR-WEEK CODE.
7. 14 POWER BETA-24 SIGNAL CONFIGURATION IS SHOWN FOR ILLUSTRATION ONLY.

REVISED EC NO: S2014-0060 DRWN:SKANG 2013/07/16 CHKD:MLONG 2013/09/06 APPR:MLONG 2013/09/09	DESCRIPTION REV	QUALITY SYMBOLS		GENERAL TOLERANCES (UNLESS SPECIFIED)		DIMENSION STYLE		SCALE	DESIGN UNITS	THIRD ANGLE PROJECTION	
						MM/IN		NTS	METRIC		
						DRAWN BY DATE		TITLE			
						CHECKED BY DATE		POWER CONN. RECEPTACLE S-P(B) CONFIGURATION VERTICAL PRESS-FIT			
				APPROVED BY DATE		<b>molex</b>					
				MATERIAL NO. DOCUMENT NO.							
				ANGULAR ± 3 °		SEE TABLE		SD-87710-011		SHEET NO.	
				DRAFT WHERE APPLICABLE MUST REMAIN WITHIN DIMENSIONS		SIZE A3		THIS DRAWING CONTAINS INFORMATION THAT IS PROPRIETARY TO MOLEX INCORPORATED AND SHOULD NOT BE USED WITHOUT WRITTEN PERMISSION		2 OF 3	

10 9 8 7 6 5 4 3 2 1

PART NUMBER	P-S CONFIGURATION		RECESS POWER CIRCUIT #	DIM A	DIM B	DIM C	DIM D	DIM E	DIM F +0.25	PACKAGING
	POWER BETA	SIGNAL								
87710-2001	14	24	NIL	<u>120.65</u> 4.750	<u>113.03</u> 4.450	<u>111.76</u> 4.400	<u>85.09</u> 3.350	<u>12.70</u> .500	<u>3.43</u> .135	TRAY
87710-2002	6	24	NIL	<u>69.85</u> 2.750	<u>62.23</u> 2.450	<u>60.96</u> 2.400	<u>34.29</u> 1.350	<u>12.70</u> .500	<u>3.43</u> .135	TRAY
87710-2003	6	24	B4,B5,B6	<u>69.85</u> 2.750	<u>62.23</u> 2.450	<u>60.96</u> 2.400	<u>34.29</u> 1.350	<u>12.70</u> .500	<u>3.43</u> .135	TRAY
87710-2005	10	24	NIL	<u>95.25</u> 3.750	<u>87.63</u> 3.450	<u>86.36</u> 3.400	<u>59.69</u> 2.350	<u>12.70</u> .500	<u>3.43</u> .135	TRAY
87710-2011	4	16	NIL	<u>52.07</u> 2.050	<u>44.45</u> 1.750	<u>43.18</u> 1.700	<u>21.59</u> .850	<u>7.62</u> .300	<u>3.43</u> .135	TRAY
87710-2012	4	24	NIL	<u>57.15</u> 2.250	<u>49.53</u> 1.950	<u>48.26</u> 1.900	<u>21.59</u> .850	<u>12.70</u> .500	<u>3.43</u> .135	TRAY

D

C

B

A

REVISED EC NO: SZ014-0060 DRWN:SKANG 2013/07/16 CHKD:MLONG 2013/09/06 APPR:MLONG 2013/09/09	QUALITY SYMBOLS	GENERAL TOLERANCES (UNLESS SPECIFIED)		DIMENSION STYLE		SCALE	DESIGN UNITS	THIRD ANGLE PROJECTION	
	$\nabla = 0$	4 PLACES	mm	INCH	MM/IN		NTS	METRIC	TITLE POWER CONN. RECEPTACLE S-P(B) CONFIGURATION VERTICAL PRESS-FIT  <b>molex</b>  DOCUMENT NO. SD-87710-011 SHEET NO. 3 OF 3
	$\nabla = 0$	3 PLACES	± ---	± ---	DRAWN BY DATE		DATE		
	$\nabla = 0$	2 PLACES	± 0.25	± 0.10	CHECKED BY DATE		DATE		
		1 PLACE	± ---	± ---	APPROVED BY DATE		DATE		
	0 PLACE	±	±	SKTOH 2002/11/26		DATE			
D1	REV	DRAFT WHERE APPLICABLE MUST REMAIN WITHIN DIMENSIONS		SEE TABLE		MATERIAL NO.			
				ANGULAR ± 3 °		THIS DRAWING CONTAINS INFORMATION THAT IS PROPRIETARY TO MOLEX INCORPORATED AND SHOULD NOT BE USED WITHOUT WRITTEN PERMISSION			

9 8 7 6 5 4 3 2 1