



Chipsmall Limited consists of a professional team with an average of over 10 year of expertise in the distribution of electronic components. Based in Hongkong, we have already established firm and mutual-benefit business relationships with customers from,Europe,America and south Asia,supplying obsolete and hard-to-find components to meet their specific needs.

With the principle of “Quality Parts,Customers Priority,Honest Operation,and Considerate Service”,our business mainly focus on the distribution of electronic components. Line cards we deal with include Microchip,ALPS,ROHM,Xilinx,Pulse,ON,Everlight and Freescale. Main products comprise IC,Modules,Potentiometer,IC Socket,Relay,Connector.Our parts cover such applications as commercial,industrial, and automotives areas.

We are looking forward to setting up business relationship with you and hope to provide you with the best service and solution. Let us make a better world for our industry!



Contact us

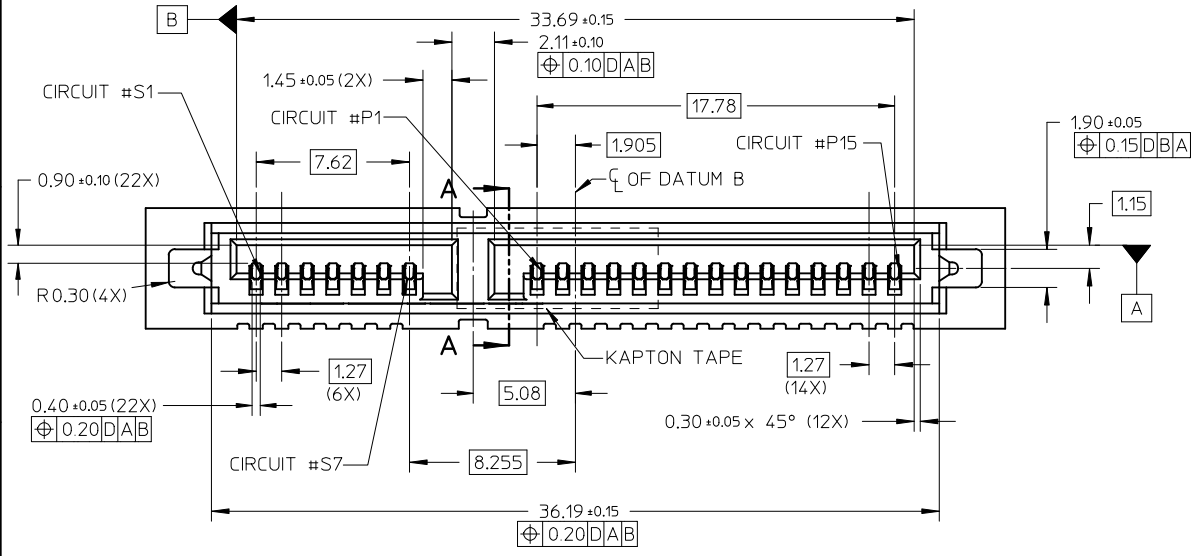
Tel: +86-755-8981 8866 Fax: +86-755-8427 6832

Email & Skype: info@chipsmall.com Web: www.chipsmall.com

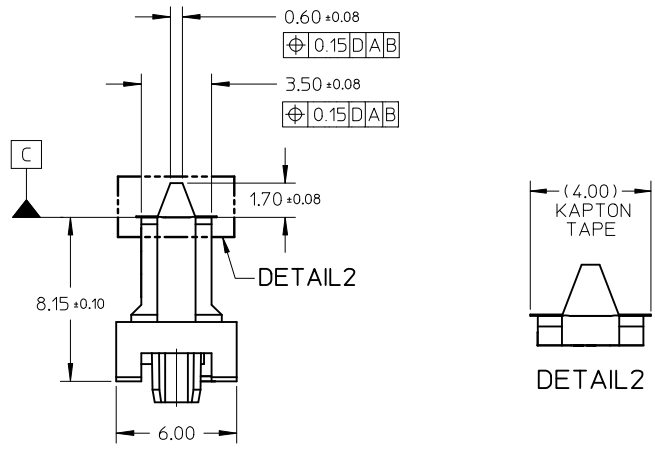
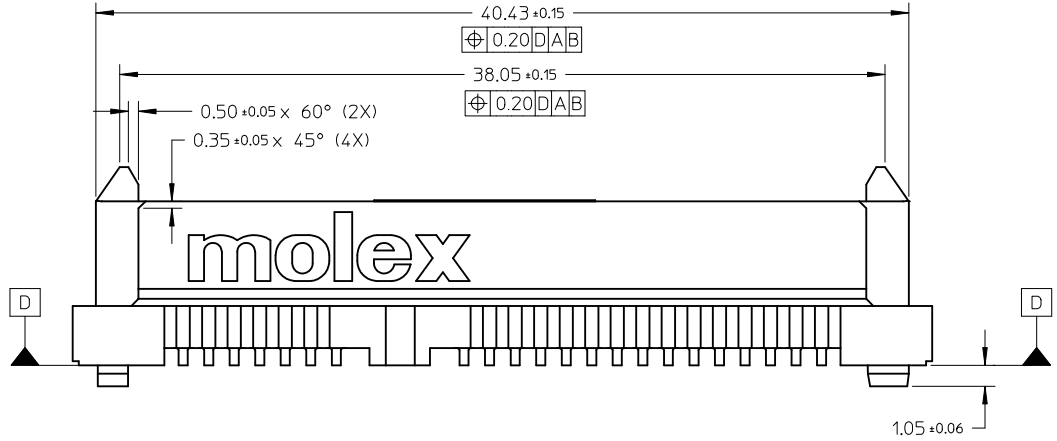
Address: A1208, Overseas Decoration Building, #122 Zhenhua RD., Futian, Shenzhen, China



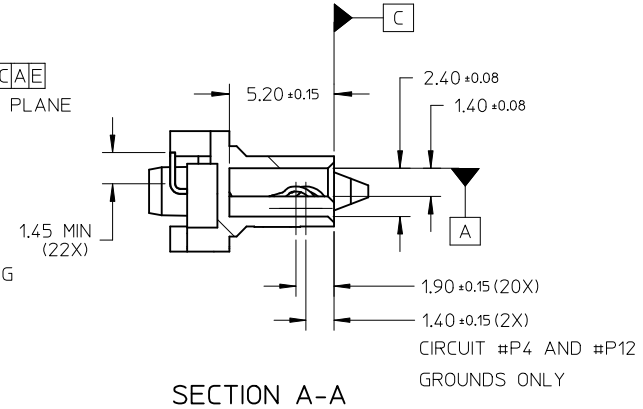
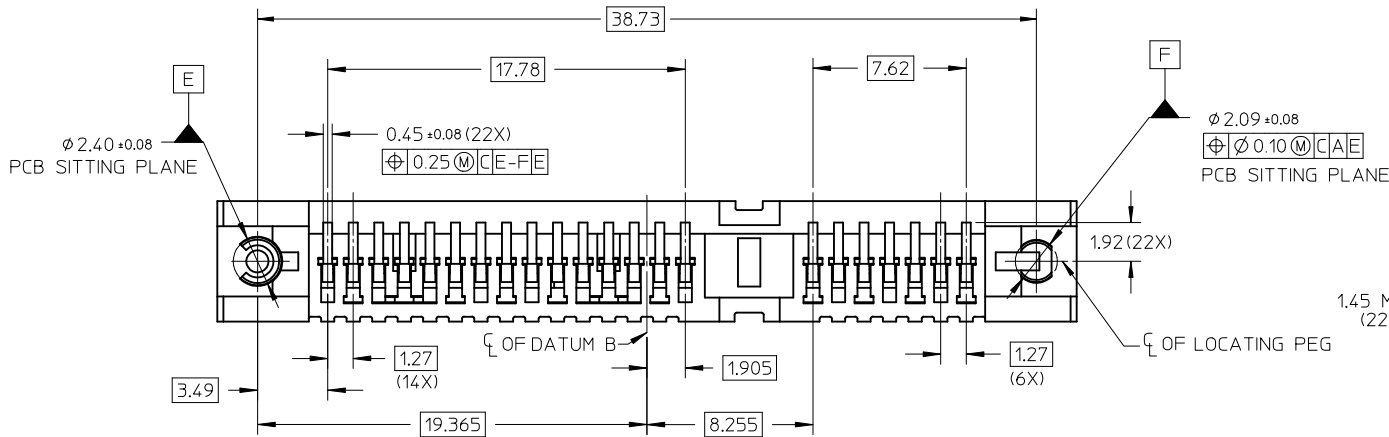
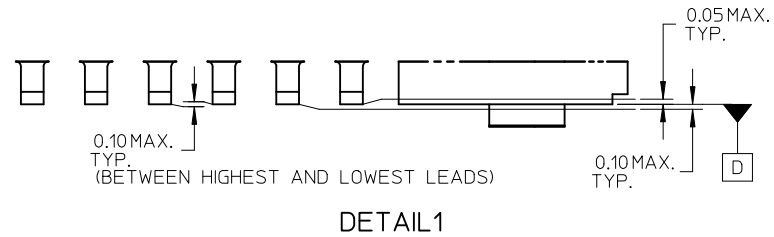
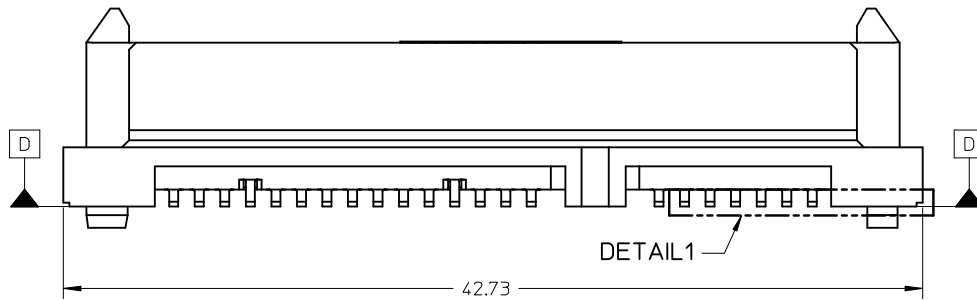
10	9	8	7	6	5	4	3	2	1
							ASSEMBLY	KAPTON TAPE	PACKAGING
							87713-1005	NO	TRAY
							87713-1006	YES	TAPE & REEL



- NOTES:
- MATERIAL: LCP, GLASS FILLED, UL 94V-0, COLOR: BLACK
TERMINAL: COPPER ALLOY
 - PLATING:
CONTACT: 0.76μm MIN. SELECTIVE GOLD OVER 1.27μm MIN. NICKEL UNDERPLATE
SOLDERTAIL: 2.54μm MIN. TIN OVER 1.27 μm MIN. NICKEL UNDERPLATE
 - MOLEX LOGO LOCATED APPROXIMATELY AS SHOWN
 - MAXIMUM WARPAGE OF 0.13 mm OVER THE LENGTH OF THE CONNECTOR IN ANY DIRECTION BEFORE AND AFTER EXPOSURE TO MAX. 260°C FOR 10 SECONDS
 - PRODUCT SPECIFICATION: PS-87713-016 APPLIES
 - PACKAGING
30 CONNECTORS PER TRAY
 - KAPTON TAPE : 11.00mm X 4.00mm. KAPTON TAPE LOCATION IS CENTERED ALONG THE PART AS SHOWN. TOP SURFACE OF TAPE TO BE FLAT FOR THE PURPOSE OF PICK & PLACE.

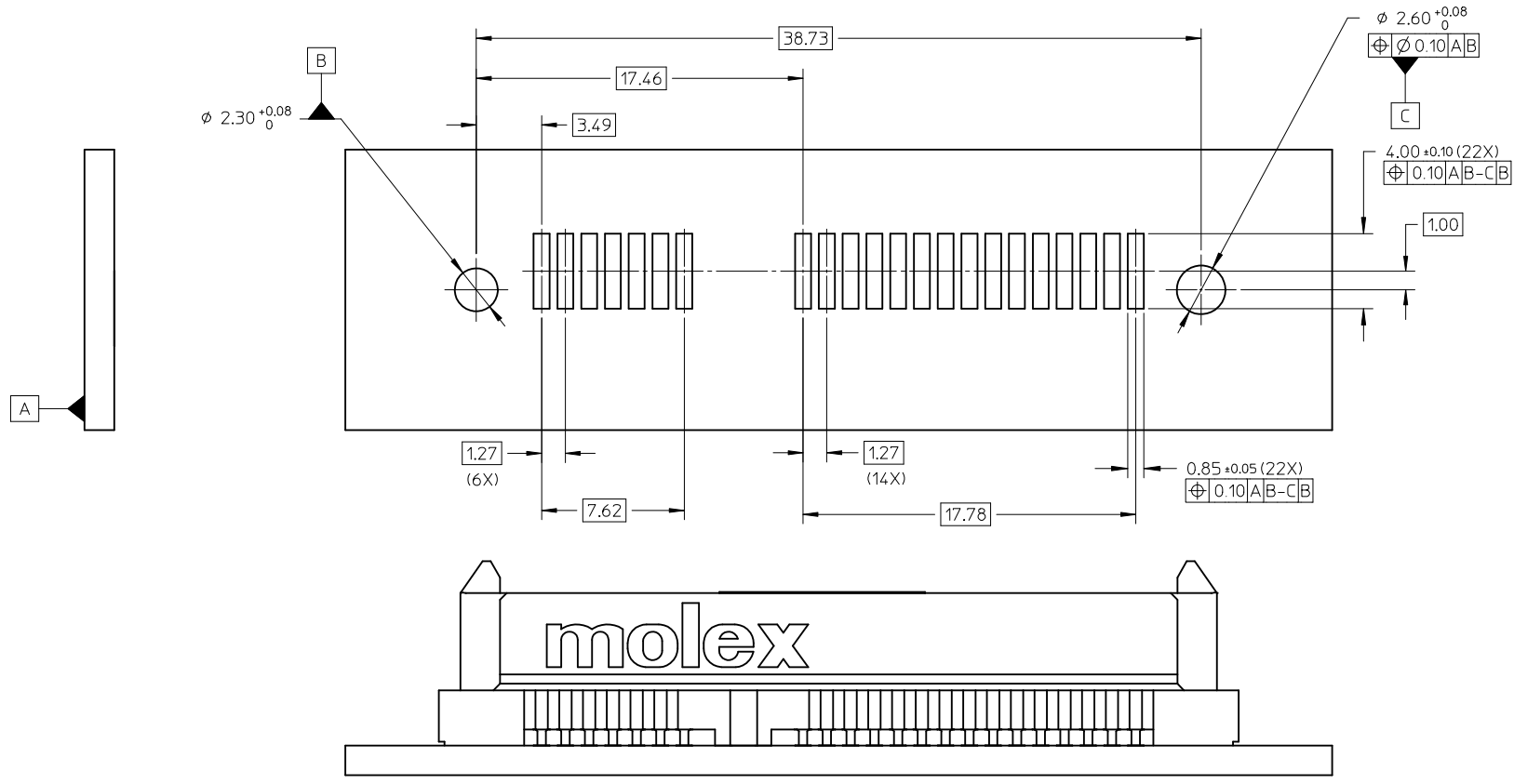


SHTS. UPDATE E/TAPE EC NO: S2012-0010 DRWN:ATSEE 2011/07/05 CH'KD:SKANG 2011/07/11 APPR:MLONG 2011/07/11	QUALITY SYMBOLS F=0 F=0 F=0	GENERAL TOLERANCES (UNLESS SPECIFIED)		DIMENSION STYLE MM ONLY		SCALE NTS	DESIGN UNITS METRIC	THIRD ANGLE PROJECTION			
		4 PLACES ± --- ± --- 3 PLACES ± --- ± --- 2 PLACES ± 0.20 ± --- 1 PLACE ± --- ± ---	mm INCH ± --- ± --- ± 0.20 ± --- ± --- ± ---	DRAWN BY KHLIM	DATE 2005/03/07	TITLE SERIAL ATA BACKPLANE SIL WITH 1.05 PEGS STD HEIGHT, RECEPT., SMT					
		ANGULAR ± 3 °		CHECKED BY KCLING	DATE 2005/04/14	MOLEX INCORPORATED					
		DRAFT WHERE APPLICABLE MUST REMAIN WITHIN DIMENSIONS		APPROVED BY SKTOH	DATE 2005/04/14	MATERIAL NO. SEE TABLE		DOCUMENT NO. SD-87713-029	SHEET NO. 1 OF 5		



SHTS, UPDATE E/TAPE EC NO: S2012-0010 DRW:WATSEE 2011/07/05 CHK'D:SKANG 2011/07/11 APPR:MLONG 2011/07/11	QUALITY SYMBOLS $F_A=0$ $F_C=0$ $F_B=0$	GENERAL TOLERANCES (UNLESS SPECIFIED) mm INCH 4 PLACES ± --- ± --- 3 PLACES ± --- ± --- 2 PLACES ± 0.20 ± --- 1 PLACE ± --- ± --- ANGULAR ± 3 °	DIMENSION STYLE MM ONLY DRAWN BY: KHLIM DATE: 2005/03/07 CHECKED BY: KCLING DATE: 2005/04/14 APPROVED BY: SKTOH DATE: 2005/04/14	SCALE: NTS DESIGN UNITS: METRIC THIRD ANGLE PROJECTION	TITLE: SERIAL ATA BACKPLANE SIL WITH 1.05 PEGS STD HEIGHT, RECEPT., SMT MOLEX INCORPORATED
	DRAFT WHERE APPLICABLE MUST REMAIN WITHIN DIMENSIONS	MATERIAL NO. SEE TABLE SIZE: A3 THIS DRAWING CONTAINS INFORMATION THAT IS PROPRIETARY TO MOLEX INCORPORATED AND SHOULD NOT BE USED WITHOUT WRITTEN PERMISSION	DOCUMENT NO. SD-87713-029 SHEET NO. 2 OF 5		
	REV: B4	DESCRIPTION:	DATE:		
	REV:	DESCRIPTION:	DATE:		

10 9 8 7 6 5 4 3 2 1



PCB THICKNESS: 1.60±0.10 mm
RECOMMENDED PCB LAYOUT

SHT5. UPDATE E/TAPE EC NO: S2012-0010 DRWN:ATSEE 2011/07/05 CHKD:SKANG 2011/07/11 APPR:MLONG 2011/07/11 REV B4	QUALITY SYMBOLS $F_A=0$ $F_G=0$ $F_P=0$	GENERAL TOLERANCES (UNLESS SPECIFIED) <table border="1"> <thead> <tr> <th></th> <th>mm</th> <th>INCH</th> </tr> </thead> <tbody> <tr> <td>4 PLACES</td> <td>± ---</td> <td>± ---</td> </tr> <tr> <td>3 PLACES</td> <td>± ---</td> <td>± ---</td> </tr> <tr> <td>2 PLACES</td> <td>± 0.20</td> <td>± ---</td> </tr> <tr> <td>1 PLACE</td> <td>± ---</td> <td>± ---</td> </tr> </tbody> </table> ANGULAR ± 3 °		mm	INCH	4 PLACES	± ---	± ---	3 PLACES	± ---	± ---	2 PLACES	± 0.20	± ---	1 PLACE	± ---	± ---	DIMENSION STYLE MM ONLY DRAWN BY: KHL IM CHECKED BY: KCL ING APPROVED BY: SKTOH MATERIAL NO. SEE TABLE	SCALE: NTS DESIGN UNITS: METRIC DATE: 2005/03/07 DATE: 2005/04/14 DATE: 2005/04/14	THIRD ANGLE PROJECTION TITLE: SERIAL ATA BACKPLANE SIL WITH 1.05 PEGS STD HEIGHT, RECEPT., SMT MOLEX MOLEX INCORPORATED DOCUMENT NO. SD-87713-029
		mm	INCH																	
	4 PLACES	± ---	± ---																	
	3 PLACES	± ---	± ---																	
2 PLACES	± 0.20	± ---																		
1 PLACE	± ---	± ---																		
DRAFT WHERE APPLICABLE MUST REMAIN WITHIN DIMENSIONS			SIZE: A3 THIS DRAWING CONTAINS INFORMATION THAT IS PROPRIETARY TO MOLEX INCORPORATED AND SHOULD NOT BE USED WITHOUT WRITTEN PERMISSION	SHEET NO. 3 OF 5																

9 8 7 6 5 4 3 2 1

10 9 8 7 6 5 4 3 2 1

F

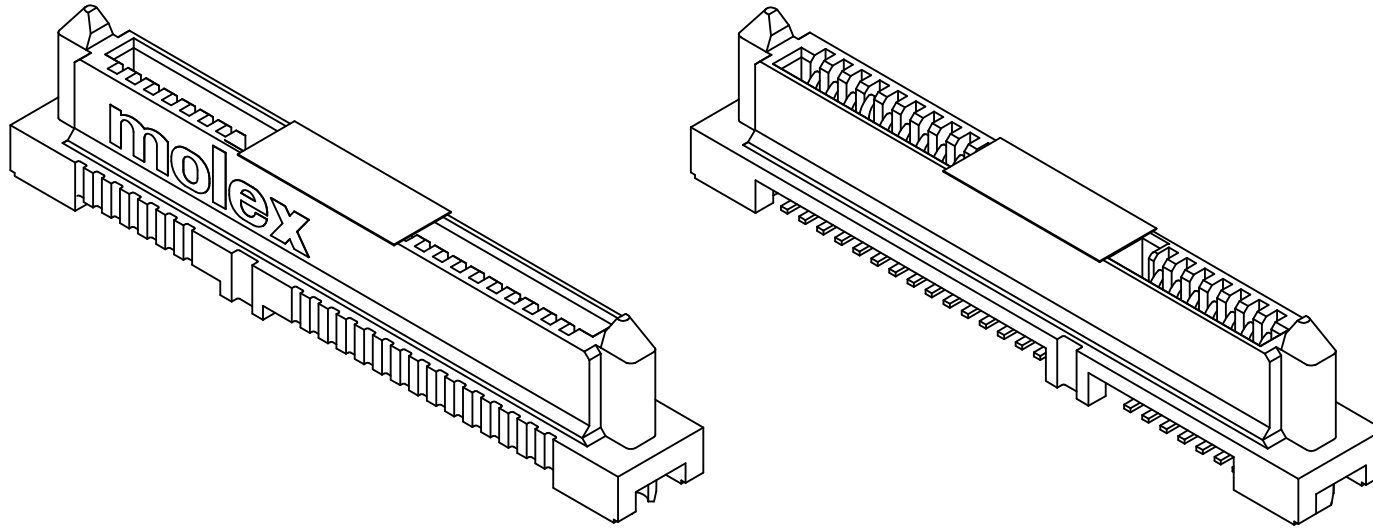
E

D

C

B

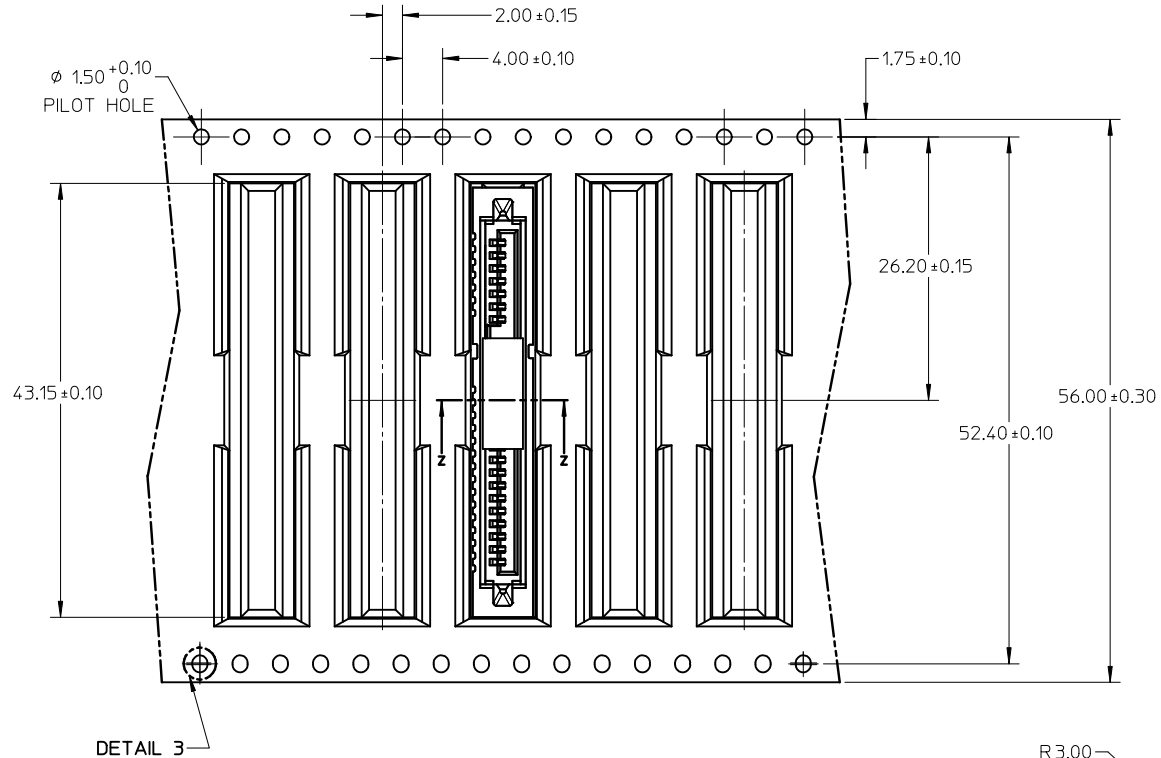
A



SHT5. UPDATE E/TAPE EC NO: S2012-0010 DRWN:ATSEE 2011/07/05 CHKD:SKANG 2011/07/11 APPR:MLONG 2011/07/11	DESCRIPTION REV	QUALITY SYMBOLS	GENERAL TOLERANCES (UNLESS SPECIFIED)		DIMENSION STYLE MM ONLY		SCALE NTS	DESIGN UNITS METRIC	THIRD ANGLE PROJECTION																										
		$\nabla_A = 0$ $\nabla_C = 0$ $\nabla_P = 0$	<table border="1"> <thead> <tr> <th></th> <th>mm</th> <th>INCH</th> </tr> </thead> <tbody> <tr> <td>4 PLACES</td> <td>± ---</td> <td>± ---</td> </tr> <tr> <td>3 PLACES</td> <td>± ---</td> <td>± ---</td> </tr> <tr> <td>2 PLACES</td> <td>± 0.20</td> <td>± ---</td> </tr> <tr> <td>1 PLACE</td> <td>± ---</td> <td>± ---</td> </tr> </tbody> </table>		mm	INCH	4 PLACES	± ---	± ---	3 PLACES	± ---	± ---	2 PLACES	± 0.20	± ---	1 PLACE	± ---	± ---	<table border="1"> <thead> <tr> <th>DRAWN BY</th> <th>DATE</th> </tr> </thead> <tbody> <tr> <td>KHLIM</td> <td>2005/03/07</td> </tr> <tr> <th>CHECKED BY</th> <th>DATE</th> </tr> <tr> <td>KCLING</td> <td>2005/04/14</td> </tr> <tr> <th>APPROVED BY</th> <th>DATE</th> </tr> <tr> <td>SKTOH</td> <td>2005/04/14</td> </tr> </tbody> </table>	DRAWN BY	DATE	KHLIM	2005/03/07	CHECKED BY	DATE	KCLING	2005/04/14	APPROVED BY	DATE	SKTOH	2005/04/14	TITLE		SERIAL ATA BACKPLANE SIL WITH 1.05 PEGS STD HEIGHT, RECEPT., SMT	
			mm	INCH																															
		4 PLACES	± ---	± ---																															
3 PLACES	± ---	± ---																																	
2 PLACES	± 0.20	± ---																																	
1 PLACE	± ---	± ---																																	
DRAWN BY	DATE																																		
KHLIM	2005/03/07																																		
CHECKED BY	DATE																																		
KCLING	2005/04/14																																		
APPROVED BY	DATE																																		
SKTOH	2005/04/14																																		
B4		DRAFT WHERE APPLICABLE MUST REMAIN WITHIN DIMENSIONS		MATERIAL NO. SEE TABLE		DOCUMENT NO. SD-87713-029		SHEET NO. 4 OF 5																											

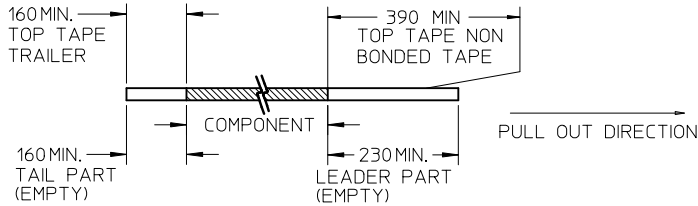
9 8 7 6 5 4 3 2 1

TAPE AND REEL PACKAGING

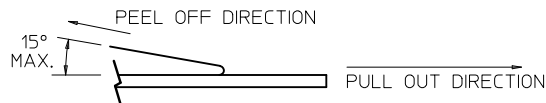


NOTES:

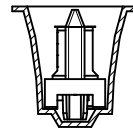
1. LEADER AND TRAILER TAPE



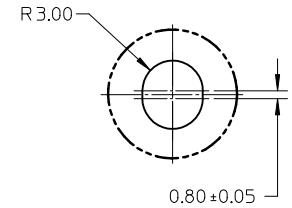
2. PEELING OFF FORCE OF THE TOP TAPE: 80gf MAX.
(PEELING DIRECTION AS SHOWN IN FOLLOWING FIGURE)



3. TAPE AND REEL SPECIFICATION IS AS PER EIA-481.
4. TAPE AND REEL QUANTITY : 400 PCS/ REEL.
5. THE TAPE IS TREATED FOR ANTI-STATIC.



SECTION Z-Z



DETAIL 3

SHTS, UPDATE E/TAPE EC NO: S2012-0010 DRW:ATSEE CHK:D:SKANG APPR:MLONG 2011/07/05 2011/07/11 2011/07/11	DESCRIPTION REV	QUALITY SYMBOLS	GENERAL TOLERANCES (UNLESS SPECIFIED)		DIMENSION STYLE MM ONLY		SCALE NTS	DESIGN UNITS METRIC	THIRD ANGLE PROJECTION	
		$\nabla_A = 0$	mm	INCH	DRAWN BY KHLIM	DATE 2005/03/07	TITLE SERIAL ATA BACKPLANE SIL WITH 1.05 PEGS STD HEIGHT, RECEPT., SMT			
		$\nabla_C = 0$	4 PLACES ± --- ± ---	3 PLACES ± --- ± ---	CHECKED BY KCLING	DATE 2005/04/14	MATERIAL NO. SD-87713-029			
		$\nabla_F = 0$	2 PLACES ± 0.20 ± ---	1 PLACE ± --- ± ---	APPROVED BY SKTOH	DATE 2005/04/14	DOCUMENT NO. SD-87713-029			
ANGULAR ± 3 °			DRAFT WHERE APPLICABLE MUST REMAIN WITHIN DIMENSIONS		SEE TABLE		SHEET NO. 5 OF 5			
THIS DRAWING CONTAINS INFORMATION THAT IS PROPRIETARY TO MOLEX INCORPORATED AND SHOULD NOT BE USED WITHOUT WRITTEN PERMISSION										