



Chipsmall Limited consists of a professional team with an average of over 10 year of expertise in the distribution of electronic components. Based in Hongkong, we have already established firm and mutual-benefit business relationships with customers from,Europe,America and south Asia,supplying obsolete and hard-to-find components to meet their specific needs.

With the principle of "Quality Parts,Customers Priority,Honest Operation,and Considerate Service",our business mainly focus on the distribution of electronic components. Line cards we deal with include Microchip,ALPS,ROHM,Xilinx,Pulse,ON,Everlight and Freescale. Main products comprise IC,Modules,Potentiometer,IC Socket,Relay,Connector.Our parts cover such applications as commercial,industrial, and automotives areas.

We are looking forward to setting up business relationship with you and hope to provide you with the best service and solution. Let us make a better world for our industry!



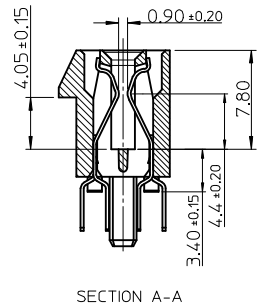
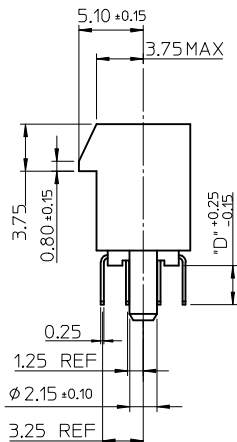
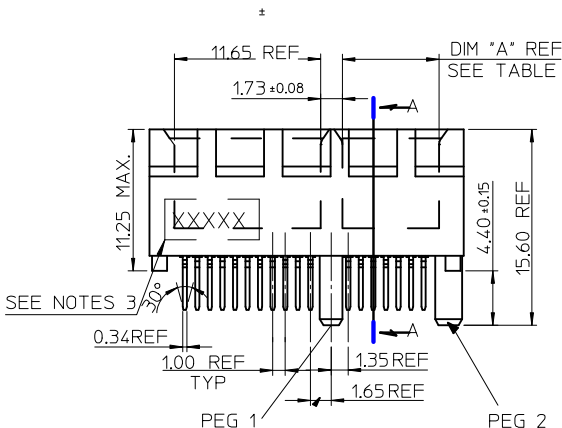
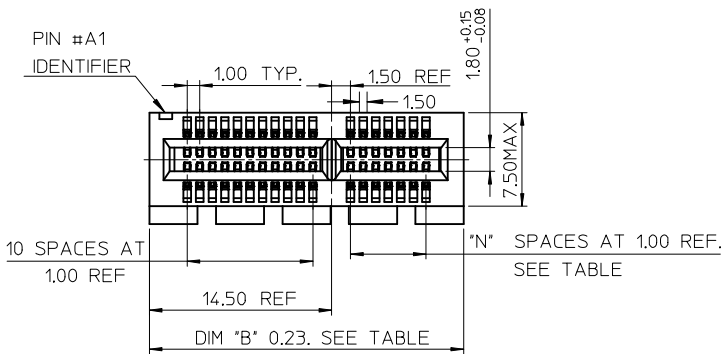
Contact us

Tel: +86-755-8981 8866 Fax: +86-755-8427 6832

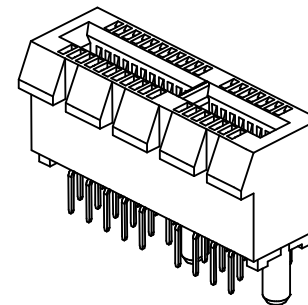
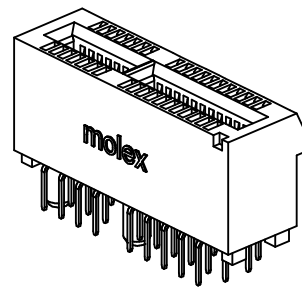
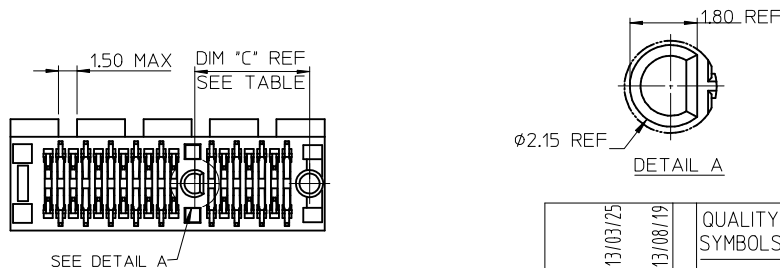
Email & Skype: info@chipsmall.com Web: www.chipsmall.com

Address: A1208, Overseas Decoration Building, #122 Zhenhua RD., Futian, Shenzhen, China





SECTION A-A



NOTES:

1.MATERIALS:

1-1.HOUSING: SEE TABLE ,GLASS FIBER FILLED UL94V-0, COLOR: SEE TABLE.

1-2.CONTACT: SEE TABLE

2.PLATING:

2-1.CONTACT AREA: GOLD, THICKNESS : SEE TABLE .

2-2.SOLDER TAIL: 100 MICRONCH MIN. TIN PLATING.

2-3.UNDER PLATING: NICKEL PLATING OVERALL.

3.DATE CODE: YY MM DD.

4.PRODUCT SPECIFICATION REFER TO PS-87715-200.

5.TEST SUMMARY:REFER TO TS-87715-207.

CONNECTOR LINK WIDTH	# POS REF	N	DIM 'A'	DIM 'B'	DIM 'C'
X1	36	6	7.65	25.00	9.15
X16	164	70	71.65	89.00	73.15

PCB THK (REF)	DIM 'D'
1.58	2.54
2.36	3.00

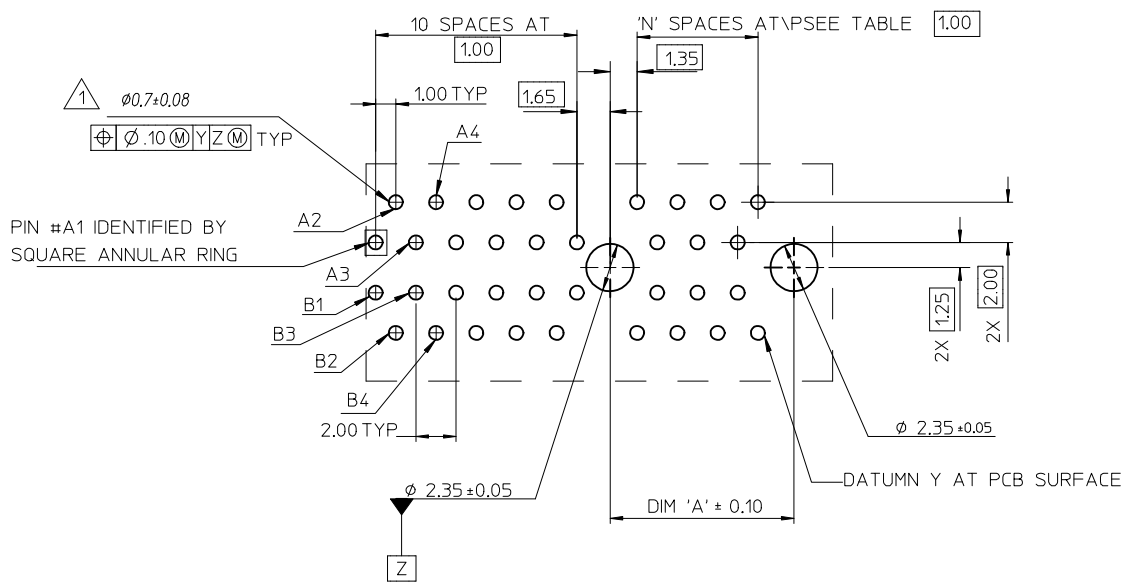
ADDED OPTION	EC NO:	DATE	DESCRIPTION	REV	QUALITY SYMBOLS
	T1DRWNRLL109	2013/03/25			F=0
	CHYKD:				F=0
	APPR:RZHANG	2013/08/19			F=0

	GENERAL TOLERANCES (UNLESS SPECIFIED)	
	mm	INCH
4 PLACES	± ---	± ---
3 PLACES	± ---	± ---
2 PLACES	± 0.25	± ---
1 PLACE	± 0.25	± ---
0 PLACE	±	±

ANGULAR ± 3 °
DRAFT WHERE APPLICABLE MUST REMAIN WITHIN DIMENSIONS

DIMENSION STYLE		SCALE	DESIGN UNITS	THIRD ANGLE PROJECTION
MM ONLY			METRIC	
DRAWN BY	DATE	TITLE		
DAVID HU	2007/05/14	PCI EXPRESS EDGE CARD CONNECTOR (LEAD FREE VERSION)		
CHECKED BY	DATE			
HARVEY	2007/05/14			
APPROVED BY	DATE			
JENNY CHEN	2007/05/14			
MATERIAL NO.				
SEE TABLE		DOCUMENT NO.	SHEET NO.	
		SD-87715-901	1 OF 6	

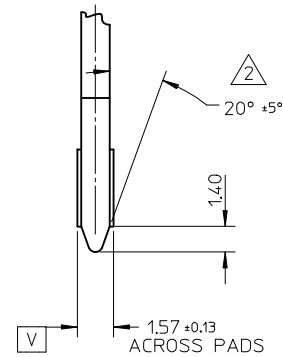
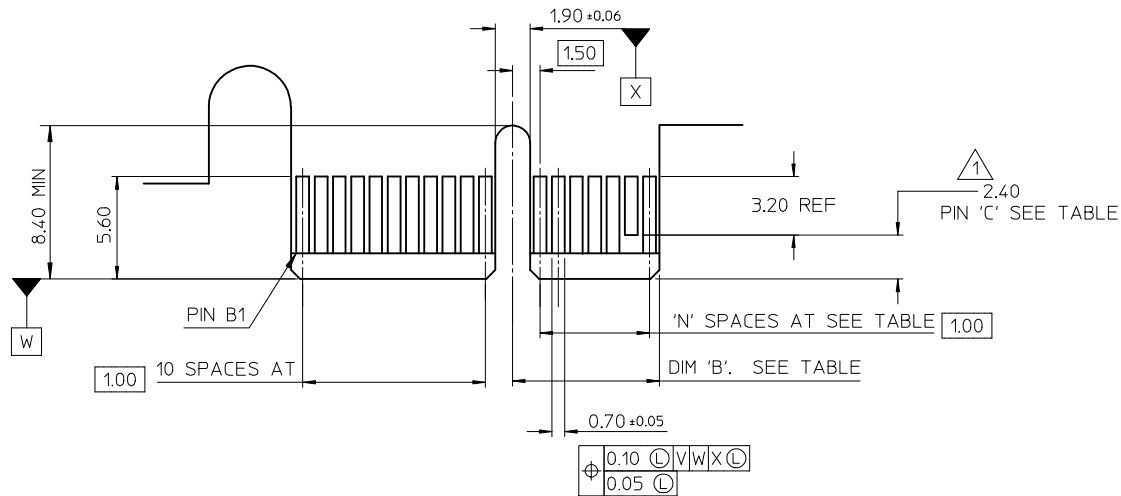
THIS DRAWING CONTAINS INFORMATION THAT IS PROPRIETARY TO MOLEX INCORPORATED AND SHOULD NOT BE USED WITHOUT WRITTEN PERMISSION



1 THE HORIZONTAL AXIS FOR THE HOLE PATTERN IS ESTABLISHED BY A LINE THROUGH THE CENTER OF THE TWO $\phi 2.35$ HOLES. THE VERTICAL AXIS IS 90° TO THE HORIZONTAL AXIS, THROUGH THE CENTER OF DATUM Z

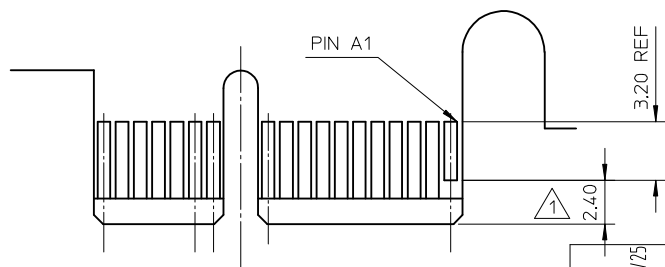
CONNECTOR LINK WIDTH	# POS REF	N	DIM 'A'
X1	36	6	9.15
X16	164	70	73.15

ADDED OPTION EC NO: SH2013-0300 TDRW:RL109 2013/03/25 CHKD: APPR:RZHANG 2013/08/19	QUALITY SYMBOLS	GENERAL TOLERANCES (UNLESS SPECIFIED)	DIMENSION STYLE	SCALE	DESIGN UNITS	THIRD ANGLE PROJECTION	
	$F_A=0$ $F_G=0$ $F_P=0$	mm INCH 4 PLACES ± --- ± --- 3 PLACES ± --- ± --- 2 PLACES ± 0.25 ± --- 1 PLACE ± 0.25 ± --- 0 PLACE ± ±	MM ONLY	---	METRIC	DRAWN BY DATE DAVID HU 2007/05/14 CHECKED BY DATE HARVEY 2007/05/14 APPROVED BY DATE JENNY CHEN 2007/05/14	TITLE
	ANGULAR ± 3° DRAFT WHERE APPLICABLE MUST REMAIN WITHIN DIMENSIONS	SEE TABLE	PCI EXPRESS EDGE CARD CONNECTOR (LEAD FREE VERSION)	molex		MATERIAL NO. DOCUMENT NO.	SHEET NO. 2 OF 6
	THIS DRAWING CONTAINS INFORMATION THAT IS PROPRIETARY TO MOLEX INCORPORATED AND SHOULD NOT BE USED WITHOUT WRITTEN PERMISSION						



← I/O PANEL DIRECTION

PRIMARY (COMPONENT) SIDE



I/O PANEL DIRECTION →

SECONDARY (SOLDER) SIDE

- 1 NO TIE BAR PERMITTED FROM CARD EDGE TO LEADING EDGE OF PAD FOR PINS A1 AND "C".
- 2 CHAMFER EDGES MUST BE FREE OF CUTTING BURRS.
- 3 TOLERANCE: .XX±.13

CONNECTOR LINK WIDTH	# POS REF	N	DIM 'B'	'C' 1
X1	36	6	8.15	B17
X16	164	70	72.15	B17, B31 B48,B81

ADDED OPTION EC NO: SH2013-0300 DRWNR: 109 2013/03/25 CHKD: APPR: RZHANG 2013/08/19	QUALITY SYMBOLS	GENERAL TOLERANCES (UNLESS SPECIFIED)		DIMENSION STYLE	SCALE	DESIGN UNITS	THIRD ANGLE PROJECTION	
	$\nabla = 0$ $\nabla = 0$ $\nabla = 0$	mm	INCH	MM ONLY		METRIC		
		4 PLACES ± --- ± ---	DRAWN BY DAVID HU	DATE 2007/05/14	TITLE PCI EXPRESS EDGE CARD CONNECTOR (LEAD FREE VERSION)			
		3 PLACES ± --- ± ---	CHECKED BY HARVEY	DATE 2007/05/14				
	2 PLACES ± 0.25 ± ---	APPROVED BY JENNY CHEN	DATE 2007/05/14	MATERIAL NO. SD-87715-901 DOCUMENT NO.				
	1 PLACE ± 0.25 ± ---							
	0 PLACE ± ±	ANGULAR ± 3 °		SHEET NO. 3 OF 6				
	DRAFT WHERE APPLICABLE MUST REMAIN WITHIN DIMENSIONS		SEE TABLE		THIS DRAWING CONTAINS INFORMATION THAT IS PROPRIETARY TO MOLEX INCORPORATED AND SHOULD NOT BE USED WITHOUT WRITTEN PERMISSION			

F

E

D

C

B

A

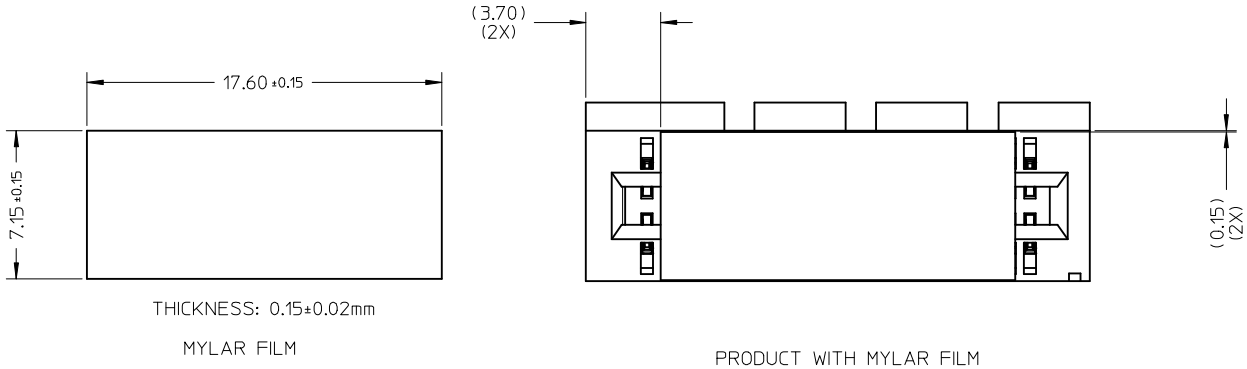
MOLEX P/N	CIRCUIT SIZE	HOUSING MATERIAL	HOUSING COLOR	TERMINAL MATERIAL	CONTACT PLATING	SOLDER TAIL "D" LENGTH	PEG 1	PEG 2	DESCRIPTION	PACKING
87715-9000	36	NYLON46	BLACK	PHOSPHOR BRONZE	GOLD FLASH	2.54	WITH	WITH	TOOLED	TRAY
87715-9002					15 MICROINCH					
87715-9005					15 MICROINCH					
87715-9006					30 MICROINCH					
87715-9009					30 MICROINCH					

MOLEX P/N	CIRCUIT SIZE	HOUSING MATERIAL	HOUSING COLOR	TERMINAL MATERIAL	CONTACT PLATING	SOLDER TAIL "D" LENGTH	PEG 1	PEG 2	DESCRIPTION	PACKING
87715-9300	164	NYLON46	BLACK	PHOSPHOR BRONZE	GOLD FLASH	2.54	WITH	WITH	TOOLED	TRAY
87715-9302					15 MICROINCH					
87715-9303					GOLD FLASH					
87715-9305					15 MICROINCH					
87715-9306					30 MICROINCH					
87715-9309	30 MICROINCH									

ADDED OPTION EC NO: SH2013-0300 2013/03/25 TDRW:RL109 CHKD: APPR:RZHANG 2013/06/19	QUALITY SYMBOLS	GENERAL TOLERANCES (UNLESS SPECIFIED)	DIMENSION STYLE	SCALE	DESIGN UNITS	THIRD ANGLE PROJECTION	
	$F_A=0$	mm INCH	MM ONLY		METRIC		
	$F_G=0$	4 PLACES ± --- ± ---	DRAWN BY DATE	PCI EXPRESS EDGE CARD CONNECTOR (LEAD FREE VERSION) molex SD-87715-901 SHEET NO. 4 OF 6			
	$F_C=0$	3 PLACES ± --- ± ---	CHECKED BY DATE				
	$F_P=0$	2 PLACES ± 0.25 ± ---	HARVEY 2007/05/14				
	1 PLACE ± 0.25 ± ---	APPROVED BY DATE					
	0 PLACE ± ±	JENNY CHEN 2007/05/14					
	ANGULAR ± 3 °	DRAFT WHERE APPLICABLE MUST REMAIN WITHIN DIMENSIONS	MATERIAL NO.	DOCUMENT NO.			
			SEE TABLE				
			SIZE A3	THIS DRAWING CONTAINS INFORMATION THAT IS PROPRIETARY TO MOLEX INCORPORATED AND SHOULD NOT BE USED WITHOUT WRITTEN PERMISSION			

THIS SHEET IS ONLY FOR 87715-0006

MOLEX PN	CIRCUIT SIZE	HOUSING MATERIAL	HOUSING COLOR	TERMINAL MATERIAL	CONTACT PLATING	SOLDER TAIL "D" LENGTH	PEG 1	PEG 2	DESCRIPTION	MYLAR FILM	PACKAGING
87715-0006	36	NYLON 46	BLACK	PHOSPHOR BRONZE	30 MICROINCH	2.54	WITH	WITH	TOOLED	WITH	TAPE & REEL PK-87715-006



ADDED OPTION EC NO: SH2013-0300 TDRW:RL109 2013/03/25 CHKD: APPR:RZHANG 2013/08/19	QUALITY SYMBOLS	GENERAL TOLERANCES (UNLESS SPECIFIED)		DIMENSION STYLE	SCALE	DESIGN UNITS	THIRD ANGLE PROJECTION
	$F_A=0$	mm	INCH	MM ONLY	1:1	METRIC	
	$F_G=0$	4 PLACES ± --- ± ---	3 PLACES ± --- ± ---	DRAWN BY	DATE	TITLE	
	$F_P=0$	2 PLACES ± 0.25 ± ---	1 PLACE ± 0.25 ± ---	DAVID HU	2007/05/14	PCI EXPRESS EDGE CARD CONNECTOR (LEAD FREE VERSION)	
	0 PLACE ± ±	ANGULAR ± 3 °	DRAFT WHERE APPLICABLE MUST REMAIN WITHIN DIMENSIONS	CHECKED BY	DATE	DOCUMENT NO.	
				HARVEY	2007/05/14	SD-87715-901	
				APPROVED BY	DATE	SHEET NO.	
				JENNY CHEN	2007/05/14	5 OF 6	
				MATERIAL NO.	THIS DRAWING CONTAINS INFORMATION THAT IS PROPRIETARY TO MOLEX INCORPORATED AND SHOULD NOT BE USED WITHOUT WRITTEN PERMISSION		
				SEE TABLE			

THIS SHEET IS ONLY FOR 87715-0016

MOLEX PN	CIRCUIT SIZE	HOUSING MATERIAL	HOUSING COLOR	TERMINAL MATERIAL	CONTACT PLATING	SOLDER TAIL "D" LENGTH	PEG 1	PEG 2	DESCRIPTION	PACKAING
87715-0016	36	NYLON 46	BLACK	PHOSPHOR BRONZE	30 MICROINCH	2.54	WITH	WITH	TOOLED	TAPE & REEL PK-87715-016

ADDED OPTION EC NO: SH2013-0436 DRWNR: L109 CHKD: APPR:	DESCRIPTION REV	QUALITY SYMBOLS $\nabla_A = 0$ $\nabla_G = 0$ $\nabla_P = 0$		GENERAL TOLERANCES (UNLESS SPECIFIED)		DIMENSION STYLE MM ONLY		SCALE 1:1	DESIGN UNITS METRIC	THIRD ANGLE PROJECTION	
				mm	INCH	DRAWN BY	DATE	TITLE PCI EXPRESS EDGE CARD CONNECTOR (LEAD FREE VERSION)			
		4 PLACES	± ---	± ---	DAVID HU	2007/05/14					
		3 PLACES	± ---	± ---	CHECKED BY	DATE	molex DOCUMENT NO. SD-87715-901 SHEET NO. 5 OF 6				
		2 PLACES	± 0.25	± ---	HARVEY	2007/05/14					
1 PLACE	± 0.25	± ---	APPROVED BY	DATE	SEE TABLE THIS DRAWING CONTAINS INFORMATION THAT IS PROPRIETARY TO MOLEX INCORPORATED AND SHOULD NOT BE USED WITHOUT WRITTEN PERMISSION						
0 PLACE	±	±	JENNY CHEN	2007/05/14							
ANGULAR ± 3° DRAFT WHERE APPLICABLE MUST REMAIN WITHIN DIMENSIONS				MATERIAL NO.							