



Chipsmall Limited consists of a professional team with an average of over 10 year of expertise in the distribution of electronic components. Based in Hongkong, we have already established firm and mutual-benefit business relationships with customers from,Europe,America and south Asia,supplying obsolete and hard-to-find components to meet their specific needs.

With the principle of "Quality Parts,Customers Priority,Honest Operation,and Considerate Service",our business mainly focus on the distribution of electronic components. Line cards we deal with include Microchip,ALPS,ROHM,Xilinx,Pulse,ON,Everlight and Freescale. Main products comprise IC,Modules,Potentiometer,IC Socket,Relay,Connector.Our parts cover such applications as commercial,industrial, and automotives areas.

We are looking forward to setting up business relationship with you and hope to provide you with the best service and solution. Let us make a better world for our industry!



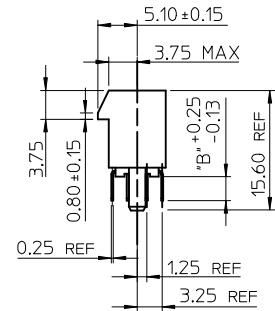
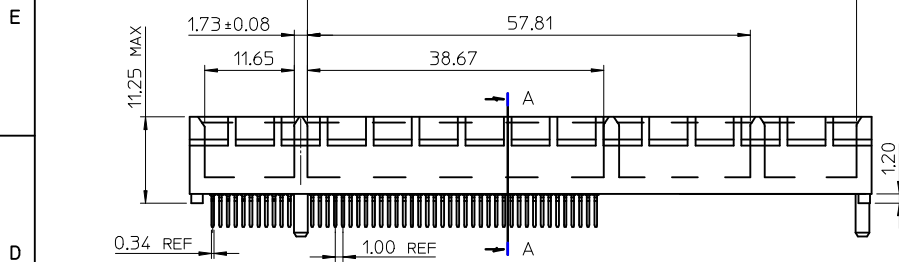
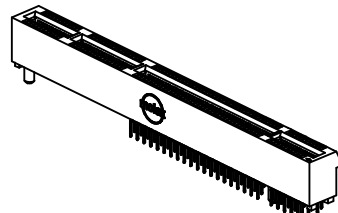
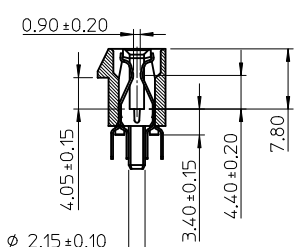
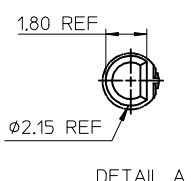
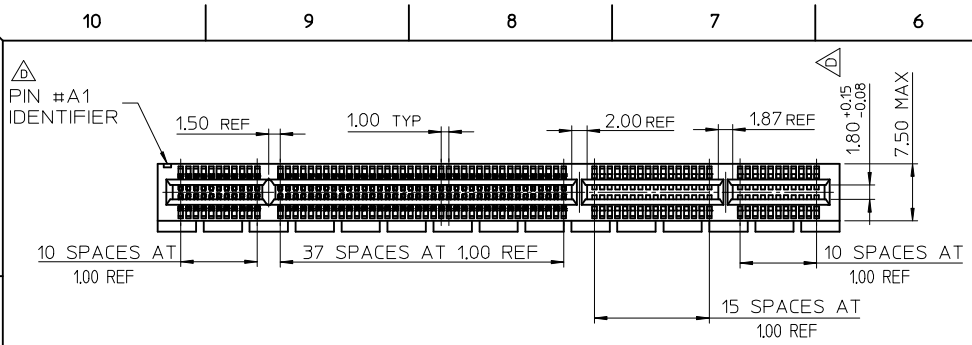
Contact us

Tel: +86-755-8981 8866 Fax: +86-755-8427 6832

Email & Skype: info@chipsmall.com Web: www.chipsmall.com

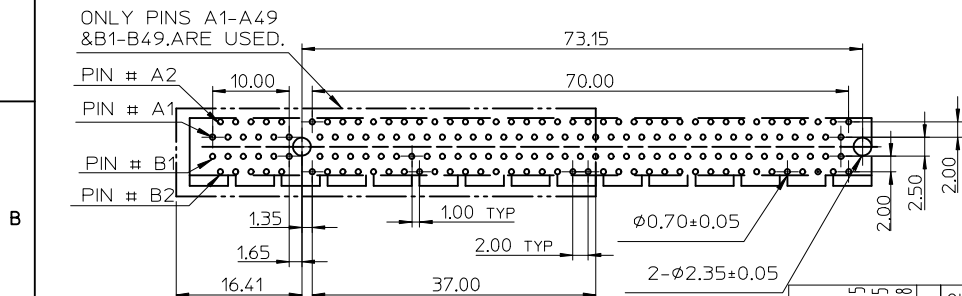
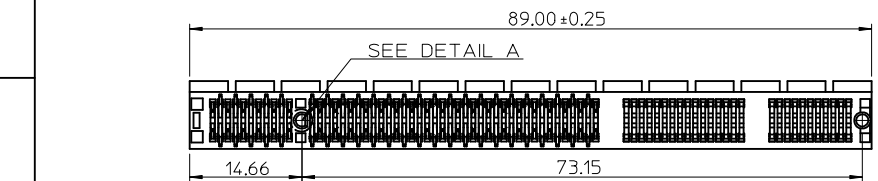
Address: A1208, Overseas Decoration Building, #122 Zhenhua RD., Futian, Shenzhen, China





SECTION A-A

- NOTES:
 1.MATERIALS:
 1-1.HOUSING:SEE TABLE, 30% GLASS FIBER FILLED UL94V-0
 COLOR:SEE TABLE
 1-2.CONTACT:SEE TABLE
 2.PLATING:
 2-1.CONTACT AREA:SEE TABLE
 2-2.SOLDER TAIL:SEE TABLE
 2-3.UNDER PLATING:SEE TABLE
 3.DATE CODE:TO BE PRINTED
 4.PRODUCT SPECIFICATION REFER TO PS-87715-200
 5.PACKAGE SPECIFICATION REFER TO PK-87715-203
 6.TEST SUMMARY:REFER TO TS-87715-203
 7.LEAD FREE AND RoHS COMPLIANT PRODUCT.



MOLEX P/N	CIRCUIT SIZE	HOUSING MATERIAL	HOUSING COLOR	TERMINAL MATERIAL	CONTACT PLATING	SOLDERTAIL PLATING	DIM"B"
87715-9902				PHOSPHOR BROZNE	GOLD FLASH	100 MICROINCH MIN TIN OVER 50 MICROINCH NICKEL OVERALL	2.30
87715-9903	N/A	NYLON46	BLACK	PHOSPHOR BROZNE	GOLD FLASH	100 MICROINCH MIN TIN OVER 50 MICROINCH NICKEL OVERALL	2.54
87715-9904				PHOSPHOR BROZNE	GOLD	100 MICROINCH MIN TIN OVER 50 MICROINCH NICKEL OVERALL	3.00
87715-9905				PHOSPHOR BROZNE	15 MICROINCH	100 MICROINCH MIN TIN OVER 50 MICROINCH NICKEL OVERALL	2.30
87715-9906	N/A	NYLON46	BLACK	PHOSPHOR BROZNE	15 MICROINCH	100 MICROINCH MIN TIN OVER 50 MICROINCH NICKEL OVERALL	2.54
87715-9907				PHOSPHOR BROZNE	15 MICROINCH	100 MICROINCH MIN TIN OVER 50 MICROINCH NICKEL OVERALL	3.00

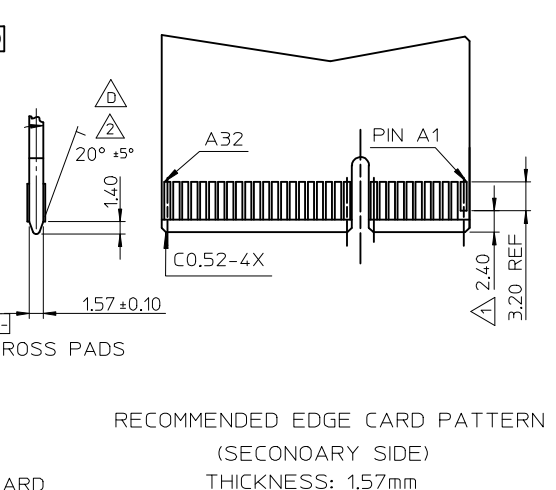
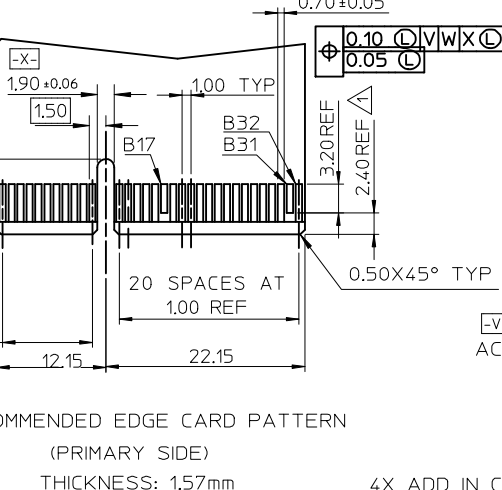
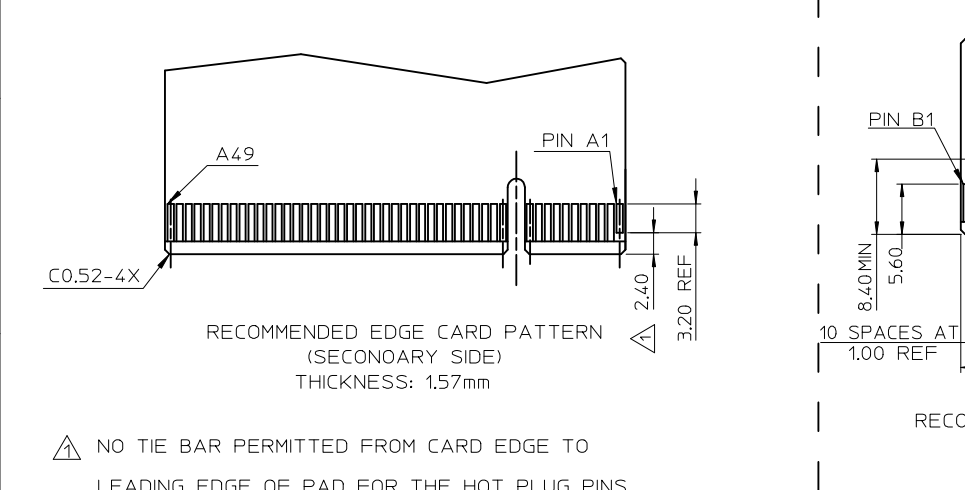
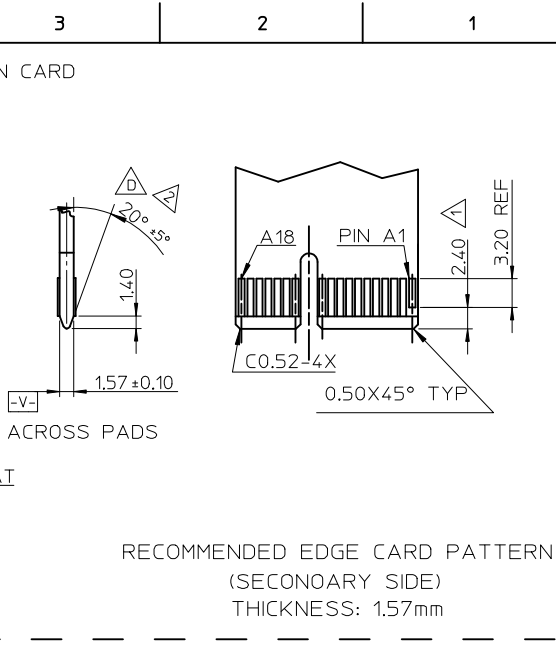
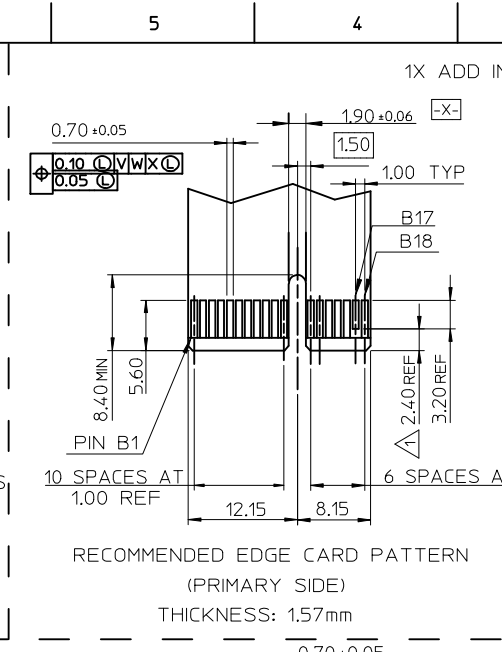
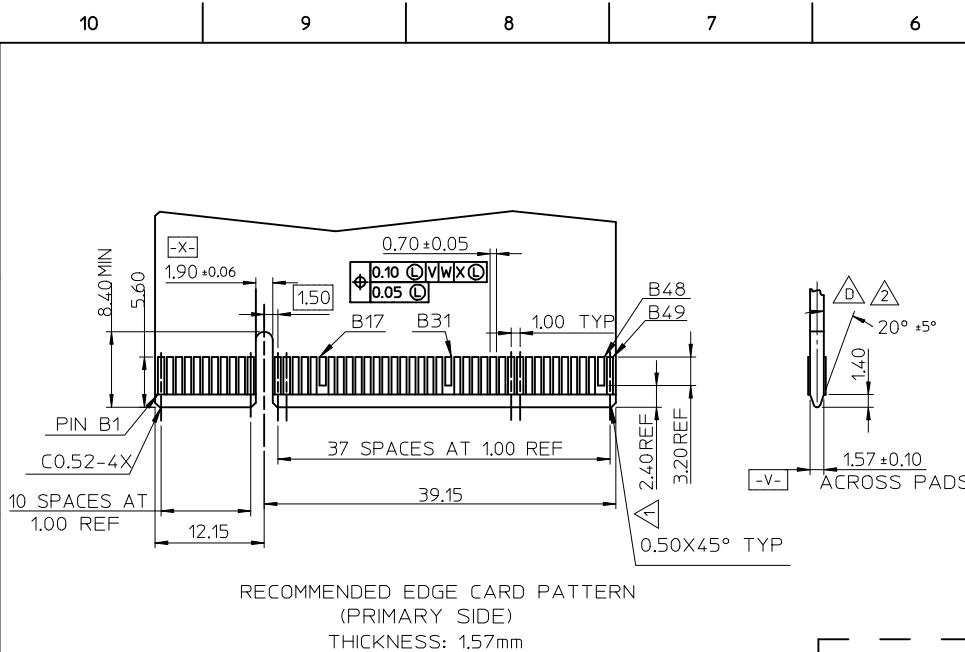
EWR 2006-0005 & 0019	2006/05/15	2006/05/15	2006/05/18
2005-0094	2006/05/15	2006/05/15	2006/05/18
DRWN:ALL IN	CHKD:	APPR:WMSCHANG	DESCRIPTION
EC NO: SF2006-0100			

QUALITY SYMBOLS	GENERAL TOLERANCES (UNLESS SPECIFIED)	
	mm	INCH
▽=0	4 PLACES ± ---	± ---
▽=0	3 PLACES ± ---	± ---
	2 PLACES ± 0.25	± ---
	1 PLACE ± 0.25	± ---
	ANGULAR ± 3°	

DIMENSION STYLE		SCALE	DESIGN UNITS	THIRD ANGLE PROJECTION
MM ONLY			METRIC	
DRAWN BY	DATE	TITLE	PCI EXPRESS X16 LOAD 98 CKT CONNECTOR (LEAD FREE VERSION) MOLEX INCORPORATED	
CHECKED BY	DATE			
APPROVED BY	DATE			
WILSON CHANG 2004/10/26		DOCUMENT NO.	SD-87715-208	
MATERIAL NO.		SEE TABLE		SHEET NO. 1 OF 2

DRAFT WHERE APPLICABLE
MUST REMAIN WITHIN DIMENSIONS

THIS DRAWING CONTAINS INFORMATION THAT IS PROPRIETARY TO MOLEX INCORPORATED AND SHOULD NOT BE USED WITHOUT WRITTEN PERMISSION



- △ NO TIE BAR PERMITTED FROM CARD EDGE TO LEADING EDGE OF PAD FOR THE HOT PLUG PINS
- △ CHAMFER EDGES MUST BE FREE OF CUTTING BURRS.

SEE SHEET 1	EC NO: SH2006-0700	2006/05/15	QUALITY SYMBOLS	GENERAL TOLERANCES (UNLESS SPECIFIED)	DIMENSION STYLE		SCALE	DESIGN UNITS	THIRD ANGLE PROJECTION			
	DRWN: ALL IN	2006/05/15			MM ONLY					TITLE		
	CHKD:	2006/05/18			4 PLACES	± ---					± ---	PCI EXPRESS X16 LOAD 98 CKT CONNECTOR (LEAD FREE VERSION)
	APPR: WWSCHANG	2006/05/18			3 PLACES	± ---					± ---	
REV	DESCRIPTION	2 PLACES	± 0.25	± ---	MOLEX INCORPORATED							
D		1 PLACE	± 0.25	± ---								
DRAFT WHERE APPLICABLE MUST REMAIN WITHIN DIMENSIONS				ANGULAR ± 3 °		MATERIAL NO.		DOCUMENT NO.				
				DRAFT WHERE APPLICABLE MUST REMAIN WITHIN DIMENSIONS		SEE TABLE		SD-87715-208				
						SIZE A3		SHEET NO. 2 OF 2				
THIS DRAWING CONTAINS INFORMATION THAT IS PROPRIETARY TO MOLEX INCORPORATED AND SHOULD NOT BE USED WITHOUT WRITTEN PERMISSION												