



Chipsmall Limited consists of a professional team with an average of over 10 year of expertise in the distribution of electronic components. Based in Hongkong, we have already established firm and mutual-benefit business relationships with customers from,Europe,America and south Asia,supplying obsolete and hard-to-find components to meet their specific needs.

With the principle of “Quality Parts,Customers Priority,Honest Operation,and Considerate Service”,our business mainly focus on the distribution of electronic components. Line cards we deal with include Microchip,ALPS,ROHM,Xilinx,Pulse,ON,Everlight and Freescale. Main products comprise IC,Modules,Potentiometer,IC Socket,Relay,Connector.Our parts cover such applications as commercial,industrial, and automotives areas.

We are looking forward to setting up business relationship with you and hope to provide you with the best service and solution. Let us make a better world for our industry!



## Contact us

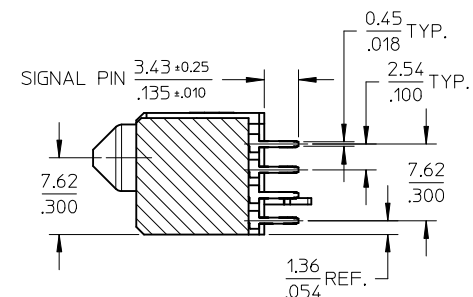
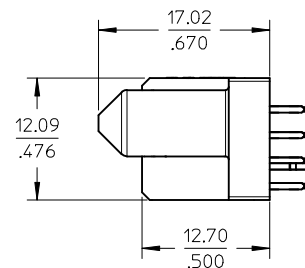
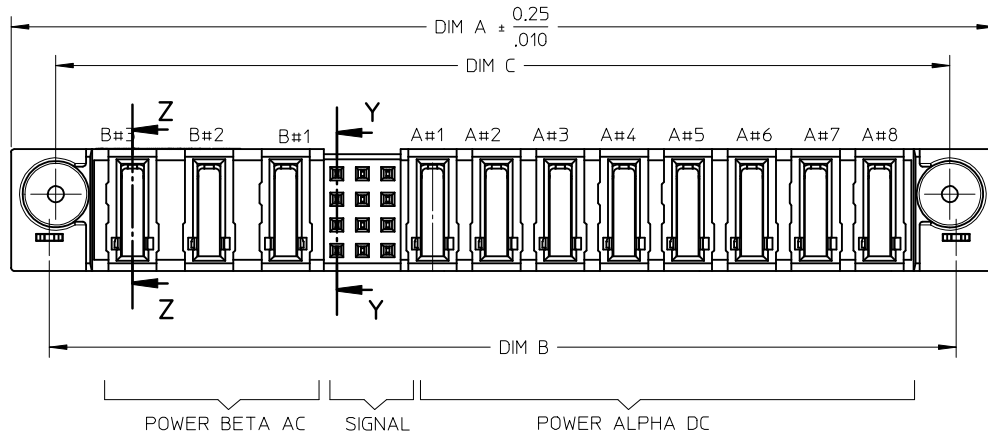
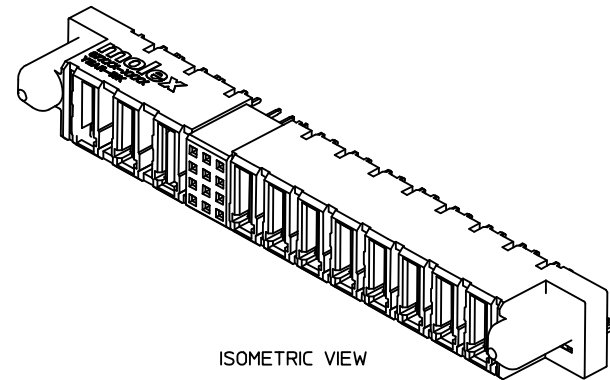
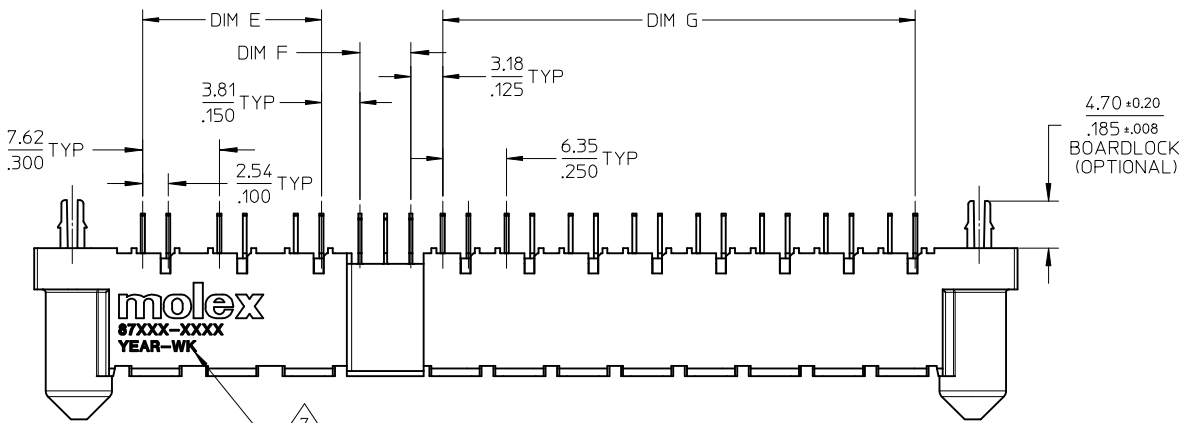
Tel: +86-755-8981 8866 Fax: +86-755-8427 6832

Email & Skype: info@chipsmall.com Web: www.chipsmall.com

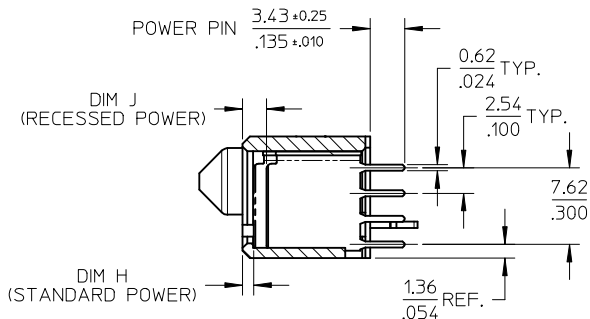
Address: A1208, Overseas Decoration Building, #122 Zhenhua RD., Futian, Shenzhen, China



10 9 8 7 6 5 4 3 2 1



SECTION Y-Y

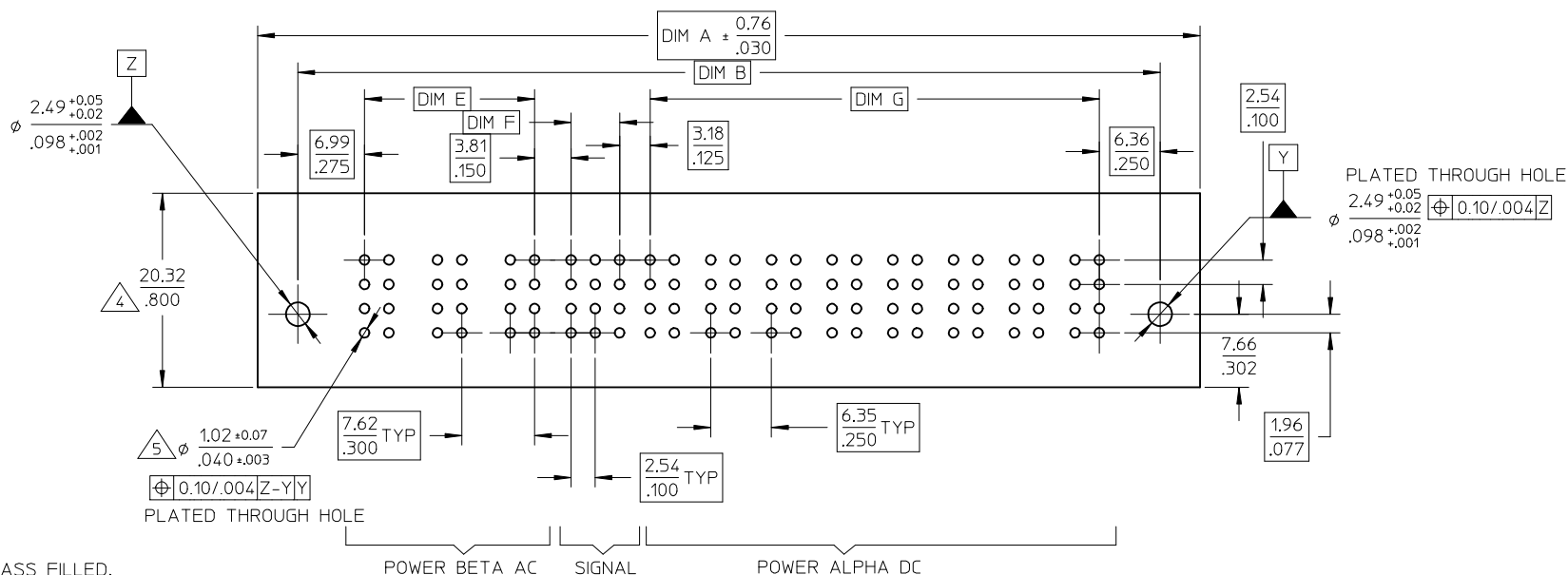


SECTION Z-Z

REVISED EC NO: S2014-0060 DRW:SKANG CHKD:MLONG APPR:MLONG	QUALITY SYMBOLS FA=0 FE=0 FB=0	GENERAL TOLERANCES (UNLESS SPECIFIED)		DIMENSION STYLE MM/IN		SCALE NTS	DESIGN UNITS METRIC	THIRD ANGLE PROJECTION	
		4 PLACES ± --- ± ---	3 PLACES ± --- ± .005	2 PLACES ± 0.13 ± .010	1 PLACE ± 0.25 ± ---	0 PLACE ± ±	DRAWN BY BHLOW		DATE 2004/02/18
D1	REV	DRAFT WHERE APPLICABLE MUST REMAIN WITHIN DIMENSIONS		MATERIAL NO. SEE TABLE		DOCUMENT NO. SD-87734-020		SHEET NO. 1 OF 2	
		ANGULAR ± 3 °		SIZE A3		THIS DRAWING CONTAINS INFORMATION THAT IS PROPRIETARY TO MOLEX INCORPORATED AND SHOULD NOT BE USED WITHOUT WRITTEN PERMISSION			

9 8 7 6 5 4 3 2 1

PART NUMBER	P-S-P CONFIGURATION			RECESSED POWER CIRCUIT #	DIM A	DIM B	DIM C	DIM D	DIM E	DIM F	DIM G	DIM H STANDARD	DIM J RECESSED	BOARDLOCK OPITON	PACKAGING
	POWER BETA AC	SIGNAL	POWER ALPHA DC												
87734-2000	3	12	8	ALL EXCEPT B1.	97.79 3.850	90.17 3.550	88.90 3.500	74.30 2.925	17.78 .700	5.08 .200	46.99 1.850	.112 .044	2.39 .094	NIL	TRAY
87734-2001	3	12	8	ALL EXCEPT B1.	97.79 3.850	90.17 3.550	88.90 3.500	74.30 2.925	17.78 .700	5.08 .200	46.99 1.850	.112 .044	2.39 .094	YES	TRAY



CONNECTOR - NOTES

1. MATERIALS :

- HOUSING - LCP, GLASS FILLED, UL 94V-0, COLOR: BLACK.
- POWER PIN - COPPER ALLOY

2. PLATING :

- POWER CONTACTS
- 0.76 MICROMETER MINIMUM GOLD (Au) AT CONTACT AREA AND 2.54 MICROMETER MINIMUM TIN AT SOLDERTAIL AREA OVER 1.27um MIN. NICKEL (Ni) UNDERPLATE.

3. PRODUCT SPECIFICATION: PS-87663-006.

4. COMPONENT STAY AWAY ZONE FROM CONNECTOR.

5. PCB NOTE FOR DIAMETER 1.02/.040 PLATED HOLE.

- DRILLED HOLE SIZE IS 1.151/.0453
- PLATE WITH 0.007/.0003 MINIMUM TIN OVER 0.03/.001 TO 0.08/.003 COPPER PLATING TO ACHIEVE 1.02±0.08/.040±.003 HOLE. SEE SHEET 2 FOR RECOMMENDED PCB LAYOUT.

6. 4P(B)-24S-3P(A) CONFIGURATION IS SHOWN FOR ILLUSTRATION ONLY.

7. MANUFACTURER LOGO, PART NUMBER AND YEAR-WEEK CODE.

8. IMAGINARY LINE & DIMENSION TO POSITION AND PROVIDE CONNECTOR ORIENTATION W.R.T. TO PCB LAYOUT.

RECOMMENDED PCB LAYOUT

<b>REVISED</b> EC NO: S2014-0060 DRWN:SKANG 2013/07/18 CHKD:MLONG 2013/09/06 APPR:MLONG 2013/09/09	QUALITY SYMBOLS $F_A=0$ $F_G=0$ $F_P=0$	GENERAL TOLERANCES (UNLESS SPECIFIED)		DIMENSION STYLE		SCALE	DESIGN UNITS	THIRD ANGLE PROJECTION			
				MM/IN		NTS	METRIC				
				mm	INCH	DRAWN BY DATE		TITLE			
						BHLW 2004/02/18		DC/AC POWER RECEPTACLE P(A)DC-S-P(B)AC CONFIG. VERTICAL T/H, BOARD-LOCK			
				CHECKED BY DATE		DOCUMENT NO.					
				KCLING 2004/03/03		SHEET NO.					
				APPROVED BY DATE		2 OF 2					
				PTLIM 2004/03/15		SD-87734-020					
				MATERIAL NO.		THIS DRAWING CONTAINS INFORMATION THAT IS PROPRIETARY TO MOLEX INCORPORATED AND SHOULD NOT BE USED WITHOUT WRITTEN PERMISSION					
				SEE TABLE							
				ANGULAR ± 3 °							
				DRAFT WHERE APPLICABLE MUST REMAIN WITHIN DIMENSIONS							
				SIZE A3							