



Chipsmall Limited consists of a professional team with an average of over 10 year of expertise in the distribution of electronic components. Based in Hongkong, we have already established firm and mutual-benefit business relationships with customers from,Europe,America and south Asia,supplying obsolete and hard-to-find components to meet their specific needs.

With the principle of "Quality Parts,Customers Priority,Honest Operation,and Considerate Service",our business mainly focus on the distribution of electronic components. Line cards we deal with include Microchip,ALPS,ROHM,Xilinx,Pulse,ON,Everlight and Freescale. Main products comprise IC,Modules,Potentiometer,IC Socket,Relay,Connector.Our parts cover such applications as commercial,industrial, and automotives areas.

We are looking forward to setting up business relationship with you and hope to provide you with the best service and solution. Let us make a better world for our industry!



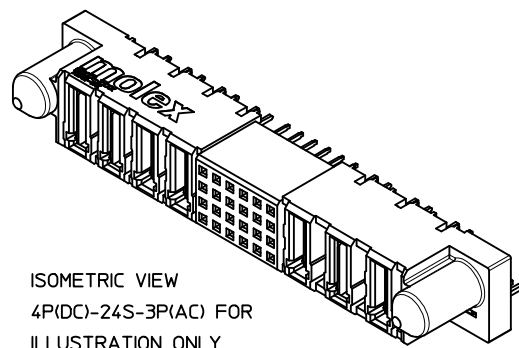
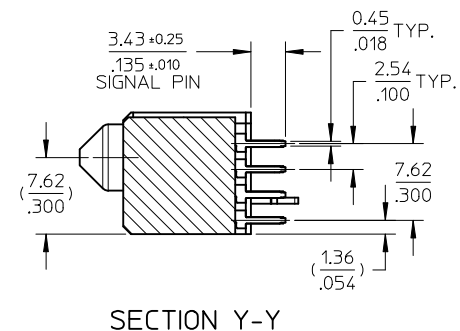
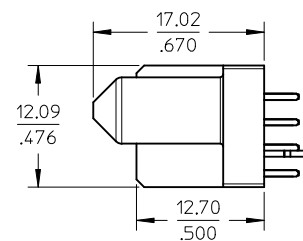
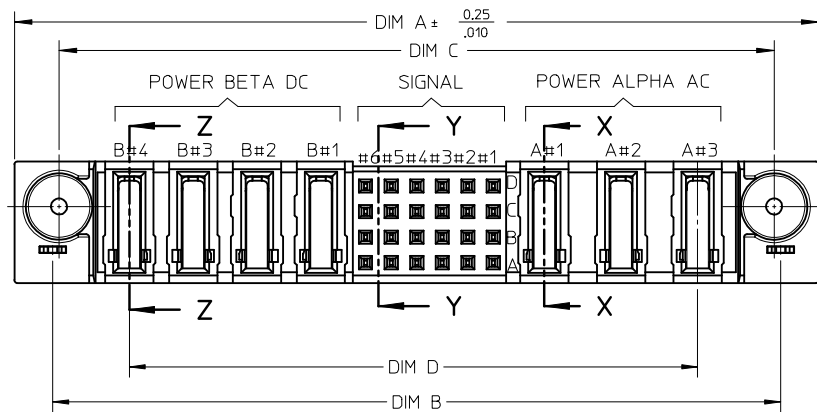
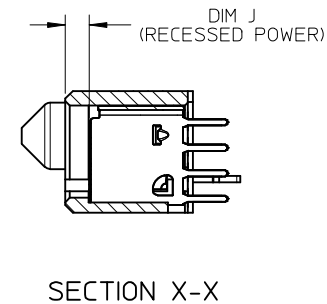
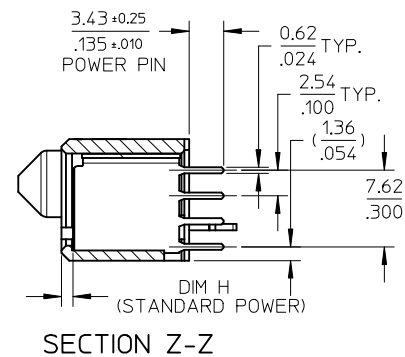
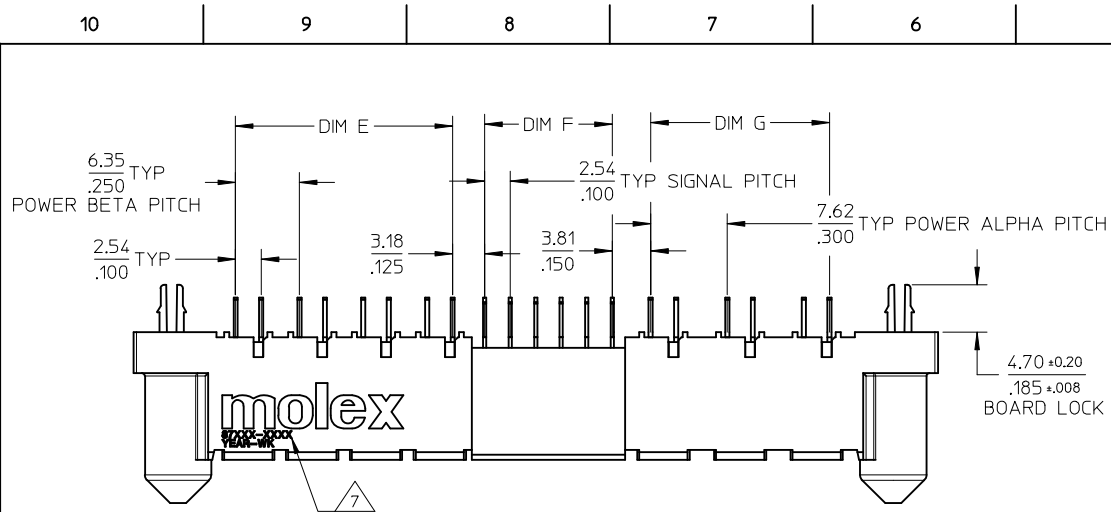
Contact us

Tel: +86-755-8981 8866 Fax: +86-755-8427 6832

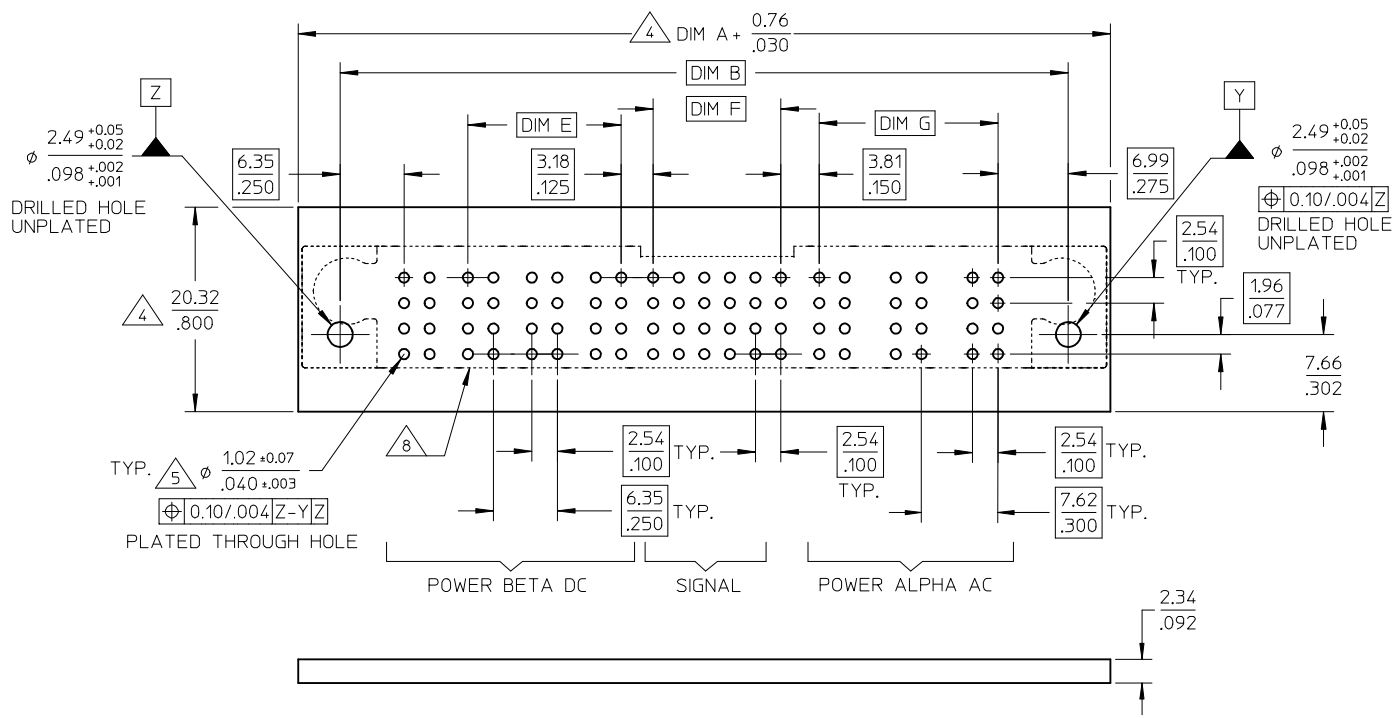
Email & Skype: info@chipsmall.com Web: www.chipsmall.com

Address: A1208, Overseas Decoration Building, #122 Zhenhua RD., Futian, Shenzhen, China





REVISED EC NO: S2014-0060 DRWN:SKANG 2013/07/18 CHKD:MLONG 2013/09/06 APPR:MLONG 2013/09/09	QUALITY SYMBOLS	GENERAL TOLERANCES (UNLESS SPECIFIED)		DIMENSION STYLE MM/IN		SCALE NTS	DESIGN UNITS METRIC	THIRD ANGLE PROJECTION
	$F_{\alpha} = 0$	4 PLACES	mm	INCH	DRAWN BY KMG0H	DATE 2002/11/08	TITLE AC/DC POWER RECEPTACLE P(A)AC-S-P(B)DC CONFIG. VERTICAL T/H, BOARD-LOCK	
	$F_{\beta} = 0$	3 PLACES	± ---	± ---	CHECKED BY PTL IM	DATE 2002/11/12		
	$F_{\gamma} = 0$	2 PLACES	± 0.13	± 0.10	APPROVED BY SKTOH	DATE 2002/11/13		
		1 PLACE	± 0.25	± ---	MATERIAL NO.		THIS DRAWING CONTAINS INFORMATION THAT IS PROPRIETARY TO MOLEX INCORPORATED AND SHOULD NOT BE USED WITHOUT WRITTEN PERMISSION	
		0 PLACE	±	±	SEE TABLE			
		ANGULAR ± 3°						
		DRAFT WHERE APPLICABLE MUST REMAIN WITHIN DIMENSIONS						



CONNECTOR - NOTES

1. MATERIALS :
 - HOUSING - LCP, GLASS FILLED,
UL 94V-0, COLOR: BLACK.
 - POWER PIN - COPPER ALLOY
2. PLATING :
 - POWER CONTACTS
0.76 MICROMETER MINIMUM GOLD (Au) AT CONTACT AREA AND
2.54 MICROMETER MINIMUM TIN AT SOLDERTAIL AREA
OVER 1.27um MIN, NICKEL (Ni) UNDERPLATE.
3. PRODUCT SPECIFICATION: PS-87663-006.
4. COMPONENT STAY AWAY ZONE FROM CONNECTOR.
5. PCB NOTE FOR DIAMETER 1.02/0.40 PLATED HOLE.
 - DRILLED HOLE SIZE IS 1.151/0.453
 - PLATE WITH 0.007/0.003 MINIMUM TIN OVER 0.03/0.01
TO 0.08/0.003 COPPER PLATING TO ACHIEVE 1.02±0.08/0.40±0.003 HOLE.
- SEE SHEET 2 FOR RECOMMENDED PCB LAYOUT.
6. 4P(B)-24S-3P(A) CONFIGURATION IS SHOWN FOR ILLUSTRATION ONLY.
7. MANUFACTURER LOGO, PART NUMBER AND YEAR-WEEK CODE.
8. IMAGINARY LINE & DIMENSION TO POSITION AND PROVIDE
CONNECTOR ORIENTATION W.R.T. TO PCB LAYOUT.

RECOMMENDED PCB LAYOUT

REVISED EC NO: S2014-0060 DRWN:SKANG 2013/07/18 CH'KD:MLONG 2013/09/06 APPR:MLONG 2013/09/09 REV D5	QUALITY SYMBOLS	GENERAL TOLERANCES (UNLESS SPECIFIED)		DIMENSION STYLE		SCALE	DESIGN UNITS	THIRD ANGLE PROJECTION		
	$F_{\Delta} = 0$ $F_{\nabla} = 0$ $F_{\square} = 0$	mm	INCH	MM/IN		NTS	METRIC			
		4 PLACES ± --- ± ---	3 PLACES ± --- ± .005	DRAWN BY	DATE	TITLE				
		2 PLACES ± 0.13 ± .010	1 PLACE ± 0.25 ± ---	CHECKED BY	DATE	AC/DC POWER RECEPTACLE P(A)AC-S-P(B)DC CONFIG. VERTICAL T/H, BOARD-LOCK				
	0 PLACE ± ±	ANGULAR ± 3 °	APPROVED BY	DATE						
	DRAFT WHERE APPLICABLE MUST REMAIN WITHIN DIMENSIONS	SEE TABLE	SKTOH	2002/11/13						DOCUMENT NO. SD-87734-001
			SIZE A 3		THIS DRAWING CONTAINS INFORMATION THAT IS PROPRIETARY TO MOLEX INCORPORATED AND SHOULD NOT BE USED WITHOUT WRITTEN PERMISSION					

PART NUMBER	P-S-P CONFIGURATION			RECESSED POWER CIRCUIT #	VOID SIGNAL PIN#	DIM A	DIM B	DIM C	DIM D	DIM E	DIM F	DIM G	DIM H STANDARD	DIM J RECESSED	BOARDLOCK OPTION	PACKAGING
	POWER BETA DC	SIGNAL	POWER ALPHA AC													
87734-3002	4	24	3	A1,A3,B1,B2	NIL	80.01 3.150	72.39 2.850	71.12 2.800	56.52 2.225	21.59 .850	12.70 .500	17.78 .700	1.12 .044	2.39 .094	YES	TRAY
87734-3003	5	24	3	ALL EXCEPT A1	NIL	86.36 3.400	78.74 3.100	77.47 3.05	62.87 2.475	27.94 1.100	12.70 .500	17.78 .700	1.12 .044	2.39 .094	NO	TRAY
87734-3004	4	16	4	ALL EXCEPT A1 & A2	NIL	82.55 3.250	74.93 2.950	73.66 2.900	59.06 2.325	21.59 .850	7.62 .300	25.40 1.000	1.12 .044	2.39 .094	YES	TRAY
87734-3005	5	24	3	A1,B3,B4,B5	NIL	86.36 3.400	78.74 3.100	77.47 3.05	62.87 2.475	27.94 1.100	12.70 .500	17.78 .700	1.12 .044	2.39 .094	NO	TRAY
87734-3006	6	16	4	NIL	NIL	95.25 3.750	87.63 3.450	86.36 3.400	71.76 2.825	34.29 1.350	7.62 .300	25.40 1.000	1.12 .044	2.39 .094	YES	TRAY
87734-3007	5	24	3	A2,A3,B1,B2	A1,B1,C1,D1, A2,B2,C2,D2, A3,B3,C3,D3	86.36 3.400	78.74 3.100	77.47 3.05	62.87 2.475	27.94 1.100	12.70 .500	17.78 .700	1.12 .044	2.39 .094	NO	TRAY

REVISED IEC NO: S2014-0060 DRWN:SKANG 2013/07/18 CHK:D:MLONG 2013/09/06 APPR:MLONG 2013/09/09	DESCRIPTION REV	QUALITY SYMBOLS	GENERAL TOLERANCES (UNLESS SPECIFIED)	DIMENSION STYLE	SCALE	DESIGN UNITS	THIRD ANGLE PROJECTION
		$\nabla = 0$ $\nabla = 0$ $\nabla = 0$	mm INCH 4 PLACES ± --- ± --- 3 PLACES ± --- ± .005 2 PLACES ± 0.13 ± .010 1 PLACE ± 0.25 ± --- 0 PLACE ± ±	MM/IN	NTS	METRIC	TITLE AC/DC POWER RECEPTACLE P(A)AC-S-P(B)DC CONFIG. VERTICAL T/H, BOARD-LOCK molex DOCUMENT NO. SD-87734-001 SHEET NO. 3 OF 3
		ANGULAR ± 3 ° DRAFT WHERE APPLICABLE MUST REMAIN WITHIN DIMENSIONS	DRAWN BY: KMG0H DATE: 2002/11/08 CHECKED BY: PTLIM DATE: 2002/11/12 APPROVED BY: SKTOH DATE: 2002/11/13	MATERIAL NO. SEE TABLE			
		THIS DRAWING CONTAINS INFORMATION THAT IS PROPRIETARY TO MOLEX INCORPORATED AND SHOULD NOT BE USED WITHOUT WRITTEN PERMISSION					