



Chipsmall Limited consists of a professional team with an average of over 10 year of expertise in the distribution of electronic components. Based in Hongkong, we have already established firm and mutual-benefit business relationships with customers from,Europe,America and south Asia,supplying obsolete and hard-to-find components to meet their specific needs.

With the principle of “Quality Parts,Customers Priority,Honest Operation,and Considerate Service”,our business mainly focus on the distribution of electronic components. Line cards we deal with include Microchip,ALPS,ROHM,Xilinx,Pulse,ON,Everlight and Freescale. Main products comprise IC,Modules,Potentiometer,IC Socket,Relay,Connector.Our parts cover such applications as commercial,industrial, and automotives areas.

We are looking forward to setting up business relationship with you and hope to provide you with the best service and solution. Let us make a better world for our industry!



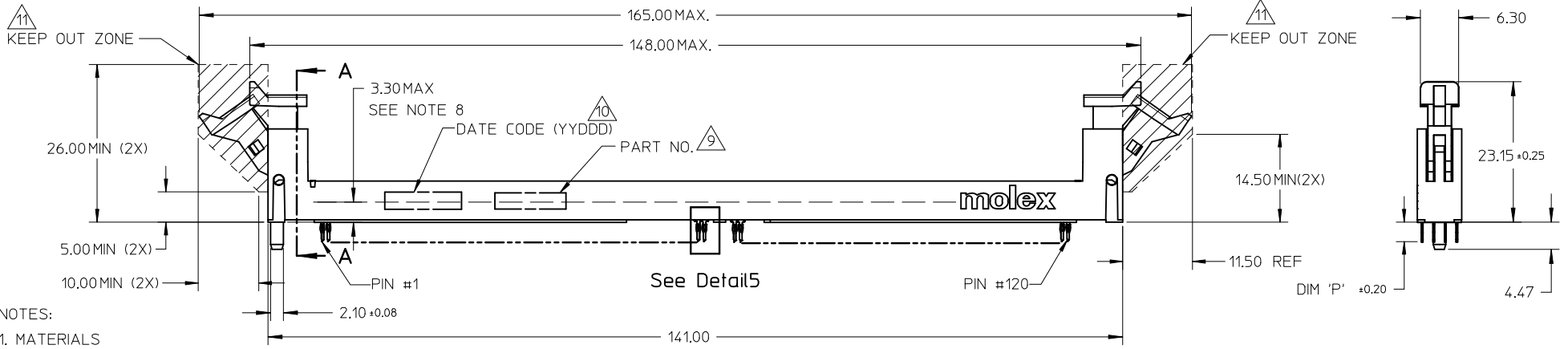
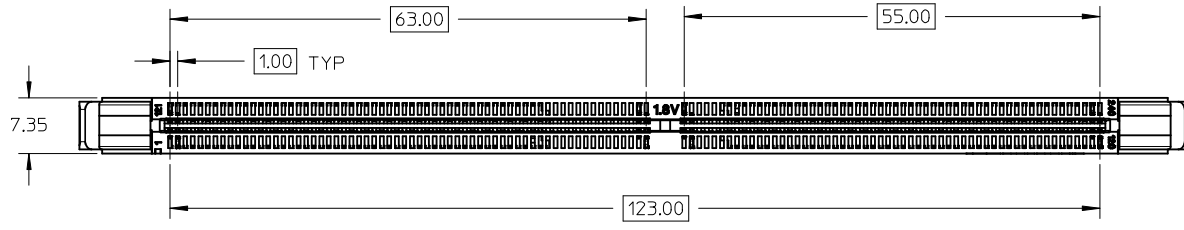
Contact us

Tel: +86-755-8981 8866 Fax: +86-755-8427 6832

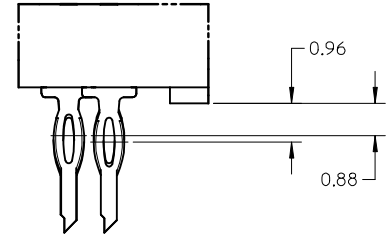
Email & Skype: info@chipsmall.com Web: www.chipsmall.com

Address: A1208, Overseas Decoration Building, #122 Zhenhua RD., Futian, Shenzhen, China





- NOTES:
- MATERIALS
HOUSING - HIGH TEMP. NYLON, GLASS-FILLED, UL 94V-0.
LATCH - HIGH TEMP. NYLON, GLASS-FILLED, UL 94V-0 - NATURAL
POLYSULFONE, UL 94HB - CLEAR
(COLOUR OF THE HOUSING AND LATCHES REFER TO TABLE ON SHEET 5 & 6).
TERMINAL - PHOSPHOR BRONZE
 - FINISHES - CONTACT AREA - SEE TABLE IN SHEET 5.
TAIL AREA - 15µIN(0.38µM) TO 60µIN(1.52µM) MIN.
TIN OVER 50µIN(1.27µM) MIN. NICKEL.
 - REFER TO PRODUCT SPEC. PS-87746-002 FOR PERFORMANCE SPECIFICATIONS.
 - PRODUCT SHALL BE PACKED IN TRAY.
 - CARD SLOT ACCEPTS 1.27±0.10 MM MODULE THICKNESS. (MEASURED OVER P.C. PADS)
 - RECOMMENDED MODULE LAYOUT SHALL BE AS PER JEDEC MO-237.
 - RECOMMENDED PLATING ON MODULE PADS: 30µIN(0.76µM) MIN. HARD GOLD OVER 79µIN(2µM) MIN. NICKEL.
 - DIMM MODULE SEATING PLANE FROM TOP OF PCB.
 - PART NUMBER SHALL BE MARKED LEGIBLY AS : 87746 XXXX
 - DATE CODE SHALL BE MARKED LEGIBLY AS SHOWN : YYDDD
 - KEEP OUT CROSS HATCHED ARE RESERVED FOR SOCKET EJECTORS AT BOTH ENDS.
 - KEEP OUT ZONE IS HEIGHT LIMITED PER 11.



Detail5

OBS DOC & P/N EC NO: S2014-0372 DRWN:SKANG CHKD:MLONG APPR:MLONG	QUALITY SYMBOLS ▽=0 ◻=0	GENERAL TOLERANCES (UNLESS SPECIFIED)		DIMENSION STYLE	SCALE	DESIGN UNITS	THIRD ANGLE PROJECTION			
		mm	INCH	MM ONLY	NTS	METRIC				
		4 PLACES	± ---	± ---	DRAWN BY	DATE	TITLE			
		3 PLACES	± ---	± ---	CGOH	2002/06/13	DDR2 DIMM, 100MM PITCH 240 CKTS, VERT. PRESSFIT			
			2 PLACES	± 0.20	± ---	± ---	CHECKED BY	DATE		
			1 PLACE	± ---	± ---	± ---	DSOH	2002/08/07		
			ANGULAR ± 5 °		APPROVED BY	DATE	MOLEX INCORPORATED			
			DRAFT WHERE APPLICABLE MUST REMAIN WITHIN DIMENSIONS		SKTOH	2002/08/08	DOCUMENT NO.		SHEET NO.	
			SIZE A3		SEE TABLE				SD-87746-001	1 OF 5
			THIS DRAWING CONTAINS INFORMATION THAT IS PROPRIETARY TO MOLEX INCORPORATED AND SHOULD NOT BE USED WITHOUT WRITTEN PERMISSION							

10 9 8 7 6 5 4 3 2 1

F

F

E

E

D

D

C

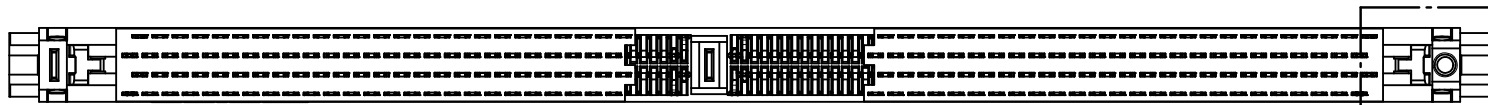
C

B

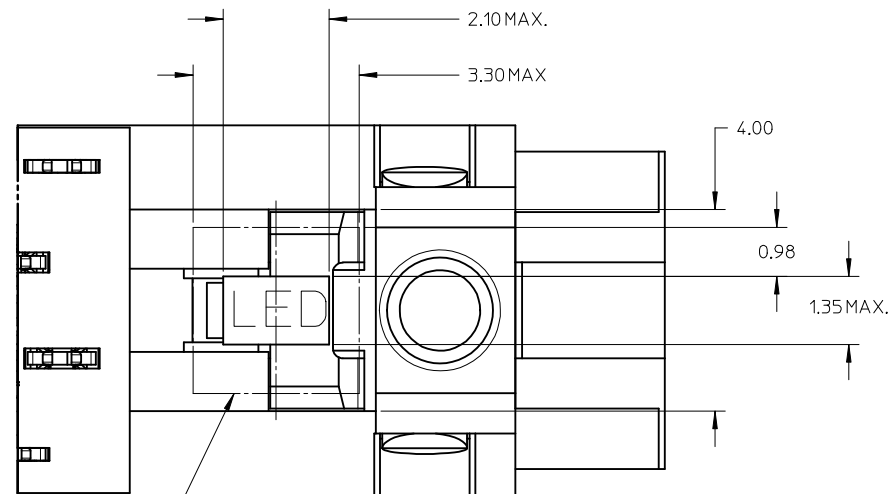
B

A

A

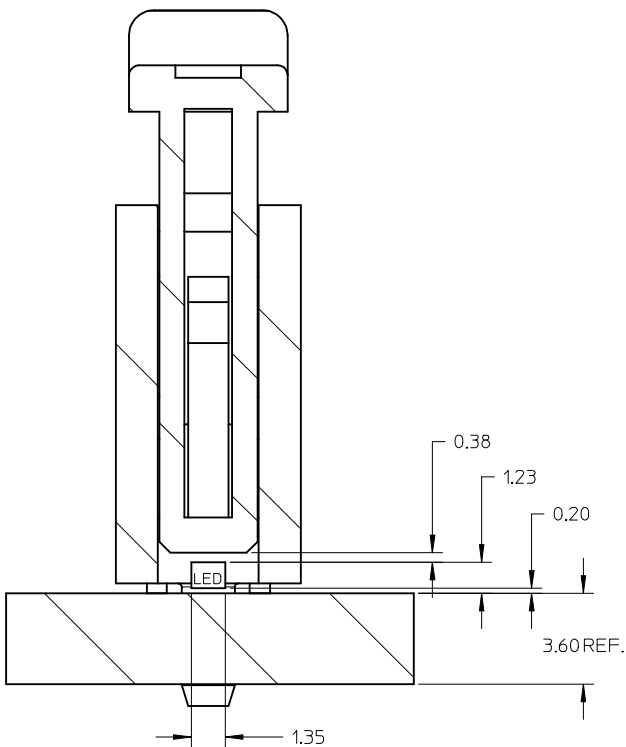


Detail3



LED PLACEMENT AREA

Detail3



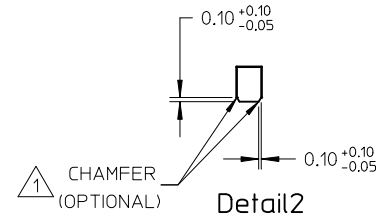
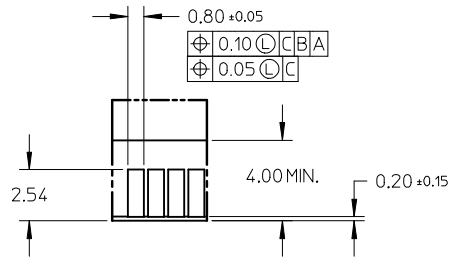
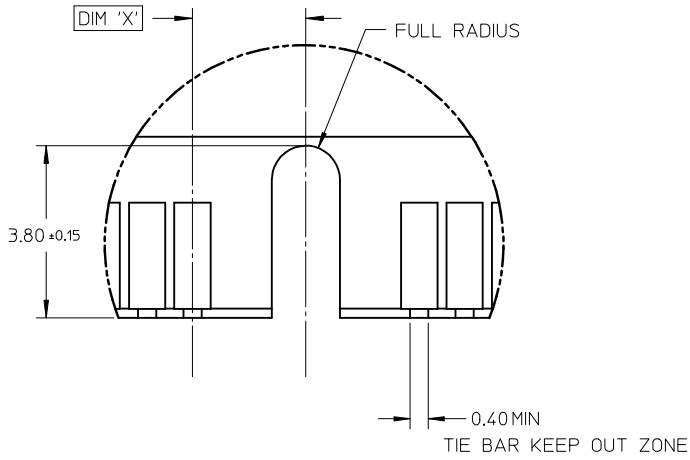
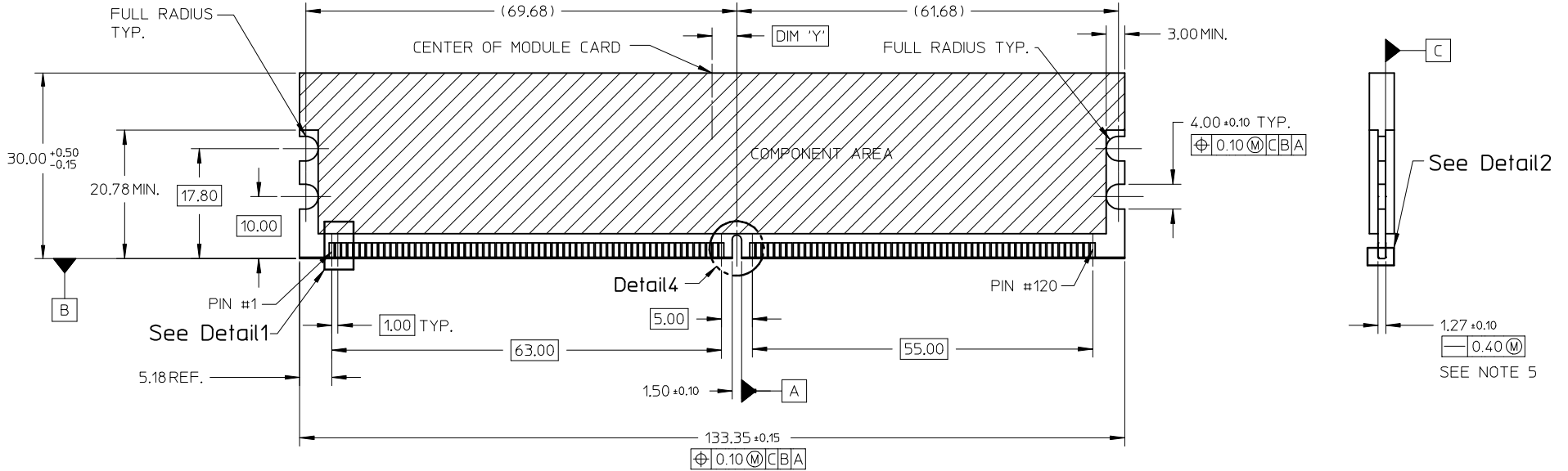
SECTION A-A

OBS DOC & P/N EC NO: S2014-0372 DRWN:SKANG 2014/01/07 CHKD:MLONG 2014/01/15 APPR:MLONG 2014/01/15	QUALITY SYMBOLS ▽=0 ◻=0	GENERAL TOLERANCES (UNLESS SPECIFIED) mm INCH 4 PLACES ± --- ± --- 3 PLACES ± --- ± --- 2 PLACES ± 0.20 ± --- 1 PLACE ± --- ± --- ANGULAR ± 5 °	DIMENSION STYLE MM ONLY DRAWN BY CGOH DATE 2002/06/13 CHECKED BY DSOH DATE 2002/08/07 APPROVED BY SKTOH DATE 2002/08/08	SCALE NTS DESIGN UNITS METRIC THIRD ANGLE PROJECTION	TITLE DDR2 DIMM, 100MM PITCH 240 CKTS, VERT. PRESSFIT
	DRAFT WHERE APPLICABLE MUST REMAIN WITHIN DIMENSIONS	MATERIAL NO. SKTOH DATE 2002/08/08	MOLEX INCORPORATED DOCUMENT NO. SD-87746-001	SHEET NO. 2 OF 5	
	SIZE A3	THIS DRAWING CONTAINS INFORMATION THAT IS PROPRIETARY TO MOLEX INCORPORATED AND SHOULD NOT BE USED WITHOUT WRITTEN PERMISSION			

9 8 7 6 5 4 3 2 1

10 9 8 7 6 5 4 3 2 1

RECOMMENDED MODULE LAYOUT



KEY LOCATION	VOLTAGE	DIM 'X'	DIM 'Y'
CENTER	1.8V	2.50	4.00

Detail4

Detail1

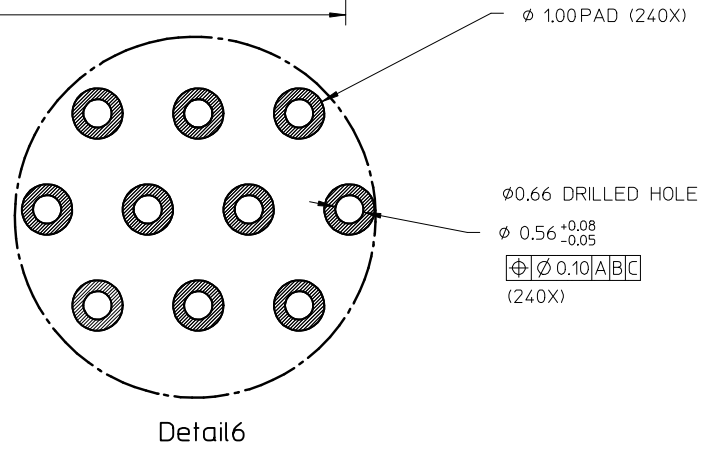
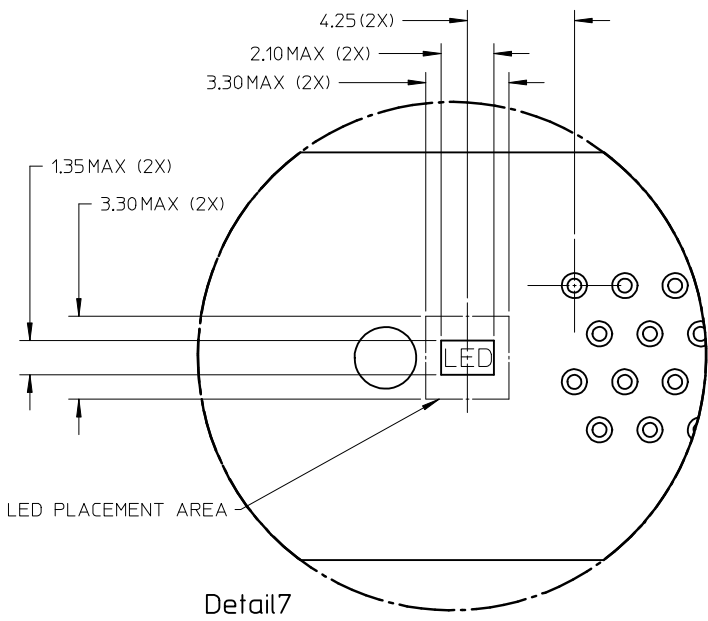
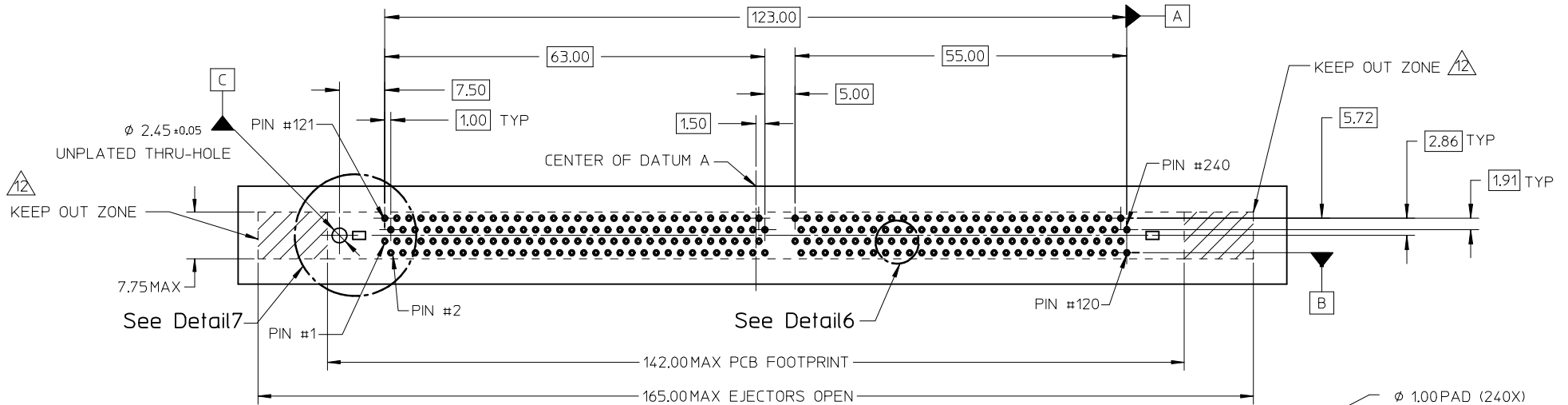
Detail2

NOTES :
 1 MODULE CARD USED IN PRODUCT TESTING ARE CHAMFERED.

OBS DOC & P/N EC NO: S2014-0372 DRWN:SKANG 2014/01/07 CHKD:MLONG 2014/01/15 APPR:MLONG 2014/01/15	QUALITY SYMBOLS ▽=0 C=0	GENERAL TOLERANCES (UNLESS SPECIFIED)	DIMENSION STYLE MM ONLY	SCALE NTS	DESIGN UNITS METRIC	THIRD ANGLE PROJECTION	
		mm INCH	DRAWN BY CGOH	DATE 2002/06/13	TITLE DDR2 DIMM, 100MM PITCH 240 CKTS, VERT. PRESSFIT		
		4 PLACES ± --- ± --- 3 PLACES ± --- ± --- 2 PLACES ± 0.20 ± --- 1 PLACE ± --- ± ---	ANGULAR ± 5 °	CHECKED BY DSOH	DATE 2002/08/07	MOLEX INCORPORATED	
		DRAFT WHERE APPLICABLE MUST REMAIN WITHIN DIMENSIONS	SEE TABLE	APPROVED BY SKTOH	DATE 2002/08/08	DOCUMENT NO. SD-87746-001	SHEET NO. 3 OF 5
			SIZE A3	THIS DRAWING CONTAINS INFORMATION THAT IS PROPRIETARY TO MOLEX INCORPORATED AND SHOULD NOT BE USED WITHOUT WRITTEN PERMISSION			

9 8 7 6 5 4 3 2 1

RECOMMENDED PCB HOLE PATTERN
SEE TABLE IN SHEET 5 FOR
RECOMMENDED PCB THICKNESS



OBS DOC & P/N EC NO: S2014-0372 DRWN:SKANG CHKD:MLONG APPR:MLONG	REV DESCRIPTION	QUALITY SYMBOLS	GENERAL TOLERANCES (UNLESS SPECIFIED)	DIMENSION STYLE	SCALE	DESIGN UNITS	THIRD ANGLE PROJECTION	
		▽=0 ⊕=0	mm INCH	MM ONLY	NTS	METRIC		
			4 PLACES ± --- ± --- 3 PLACES ± --- ± --- 2 PLACES ± 0.20 ± --- 1 PLACE ± --- ± ---	DRAWN BY CGOH CHECKED BY DSOH APPROVED BY SKTOH	DATE 2002/06/13 DATE 2002/08/07 DATE 2002/08/08	TITLE	DDR2 DIMM, 100MM PITCH 240 CKTS, VERT. PRESSFIT	
			ANGULAR ± 5 °	MATERIAL NO.	DOCUMENT NO.	MOLEX INCORPORATED		
		DRAFT WHERE APPLICABLE MUST REMAIN WITHIN DIMENSIONS	SIZE A3	THIS DRAWING CONTAINS INFORMATION THAT IS PROPRIETARY TO MOLEX INCORPORATED AND SHOULD NOT BE USED WITHOUT WRITTEN PERMISSION			SHEET NO. 4 OF 5	

PART NO.	VOLTAGE KEY POS.	VOLTAGE KEY TEXT	TAIL LENGTH P±0.20	RECOMMENDED PCB THICKNESS	LUBRICATION	PLATING OPTION	LATCH COLOR	HOUSING COLOR
87746-8001	CENTER	1.8V	4.20	4.57	NO	SELECTIVE GOLD 0.38µM/ 15µIN MIN. GOLD OVER 1.27µM/ 50µIN MIN. NICKEL	NATURAL (OFF WHITE)	BLACK
87746-9001			3.30	3.60				
87746-9011	CENTER	1.8V	3.30	3.60	NO	SELECTIVE GOLD 0.76µM/ 30µIN MIN. GOLD OVER 1.27µM/ 50µIN MIN. NICKEL		
87746-8091	CENTER	1.8V	4.20	4.57	YES			
87746-9091			3.30	3.60				
87746-5201	CENTER	1.8V	4.20	4.57	NO	SELECTIVE GOLD 0.38µM/ 15µIN MIN. GOLD OVER 1.27µM/ 50µIN MIN. NICKEL		
87746-5301			3.30	3.60				
87746-5211	CENTER	1.8V	4.20	4.57	NO	SELECTIVE GOLD 0.76µM/ 30µIN MIN. GOLD OVER 1.27µM/ 50µIN MIN. NICKEL	CLEAR	
87746-5311			3.30	3.60				
87746-5291	CENTER	1.8V	4.20	4.57	YES			
87746-5391			3.30	3.60				
87746-5381			3.30	3.60				

OBS DOC & P/N EC NO: S2014-0372 DRWN:SKANG 2014/01/07 CHKD:MLONG 2014/01/15 APPR:MLONG 2014/01/15	DESCRIPTION REV	QUALITY SYMBOLS	GENERAL TOLERANCES (UNLESS SPECIFIED)	DIMENSION STYLE	SCALE	DESIGN UNITS	THIRD ANGLE PROJECTION
		▽=0 ◻=0	mm INCH	MM ONLY	NTS	METRIC	
			4 PLACES ± --- ± --- 3 PLACES ± --- ± --- 2 PLACES ± 0.20 ± --- 1 PLACE ± --- ± --- ANGULAR ± 5 °	DRAWN BY DATE CGOH 2002/06/13 CHECKED BY DATE DSOH 2002/08/07 APPROVED BY DATE SKTOH 2002/08/08 MATERIAL NO.	TITLE DDR2 DIMM, 100MM PITCH 240 CKTS, VERT. PRESSFIT		
		DRAFT WHERE APPLICABLE MUST REMAIN WITHIN DIMENSIONS	SEE TABLE SIZE A3	MOLEX INCORPORATED DOCUMENT NO. SD-87746-001 SHEET NO. 5 OF 5			